

STATE OF ILLINOIS
DEPARTMENT OF TRANSPORTATION

ROUTE NO.	SECTION	COUNTY	TOTAL SHEETS	SHEET NO.
F.A.P. 351	2008-001VB	COOK	579	515
FED. ROAD DIST. NO. 7		ILLINOIS	FED. AID PROJECT-	
CONTRACT NO. 60E10				

SHEET NO. 13
24 SHEETS

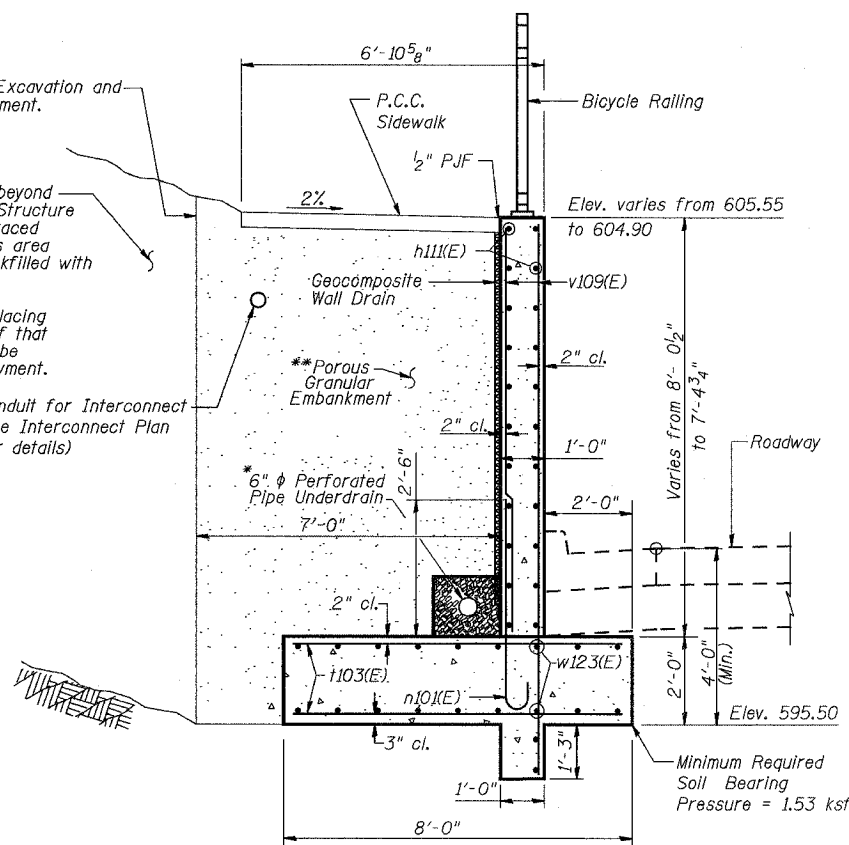
**BILL OF MATERIAL
RETAINING WALL "F"**

Bar	No.	Size	Length	Shape
h11(E)	18	#5	37'-1"	—
h112(E)	12	#5	30'-9"	—
n10(E)	121	#5	4'-9"	⌋
s100(E)	10	#5	2'-8"	⌋
t100(E)	68	#6	6'-2"	—
t103(E)	60	#6	7'-8"	—
v109(E)	8	#5	18'-0"	—
v110(E)	22	#5	12'-7"	—
v111(E)	10	#5	5'-5"	—
v112(E)	30	#5	8'-5"	—
w110(E)	9	#5	6'-8"	⌋
w111(E)	11	#5	6'-1"	⌋
w122(E)	2	#5	6'-7"	—
w123(E)	18	#5	28'-4"	—
w124(E)	14	#5	36'-0"	—
Porous Granular Embankment		Cu. Yd.	79	
Structure Excavation		Cu. Yd.	314	
Concrete Structures		Cu. Yd.	47.4	
Reinforcement Bars, Epoxy Coated		Pound	5,000	
Pipe Underdrain For Structures 6"		Foot	63	
Geocomposite Wall Drain		Sq. Yd.	37	

Pay limit for Structure Excavation and Porous Granular Embankment.

Over excavation beyond the pay limit of Structure Excavation or Braced Excavation. This area also shall be backfilled with Porous Granular Embankment. Furnishing and placing of this portion of that material will not be measured for payment.

Conduit for Interconnect (see Interconnect Plan for details)

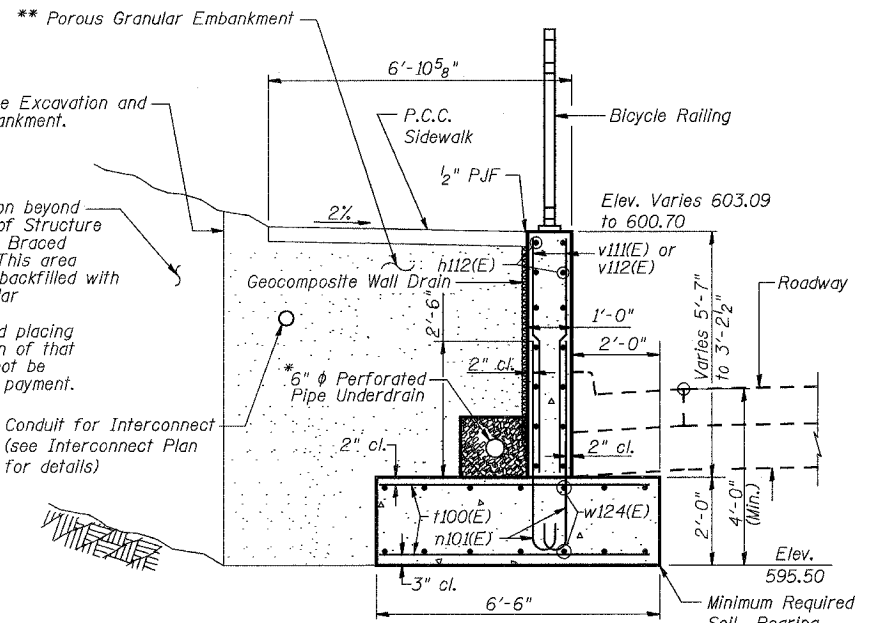


SECTION STA. 96+80.35 TO 96+88.10

Pay limit for Structure Excavation and Porous Granular Embankment.

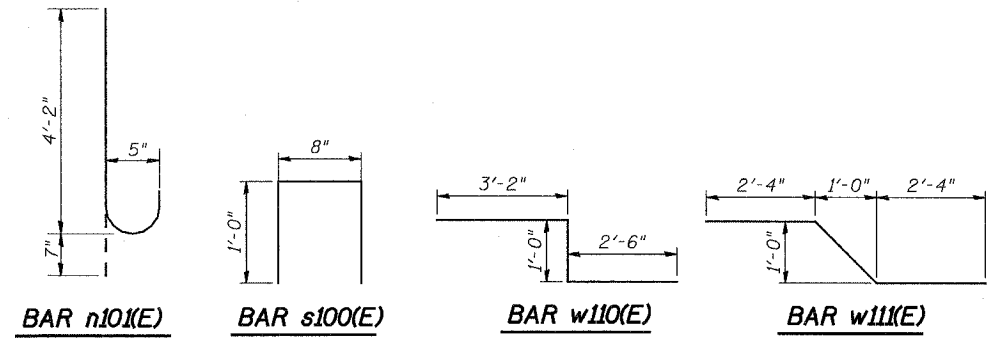
Over excavation beyond the pay limit of Structure Excavation or Braced Excavation. This area also shall be backfilled with Porous Granular Embankment. Furnishing and placing of this portion of that material will not be measured for payment.

Conduit for Interconnect (see Interconnect Plan for details)



SECTION STA. 97+09.88 TO 97+43.68

* See Miscellaneous Details For Retaining Walls A-M sheet for Pipe Underdrain Detail

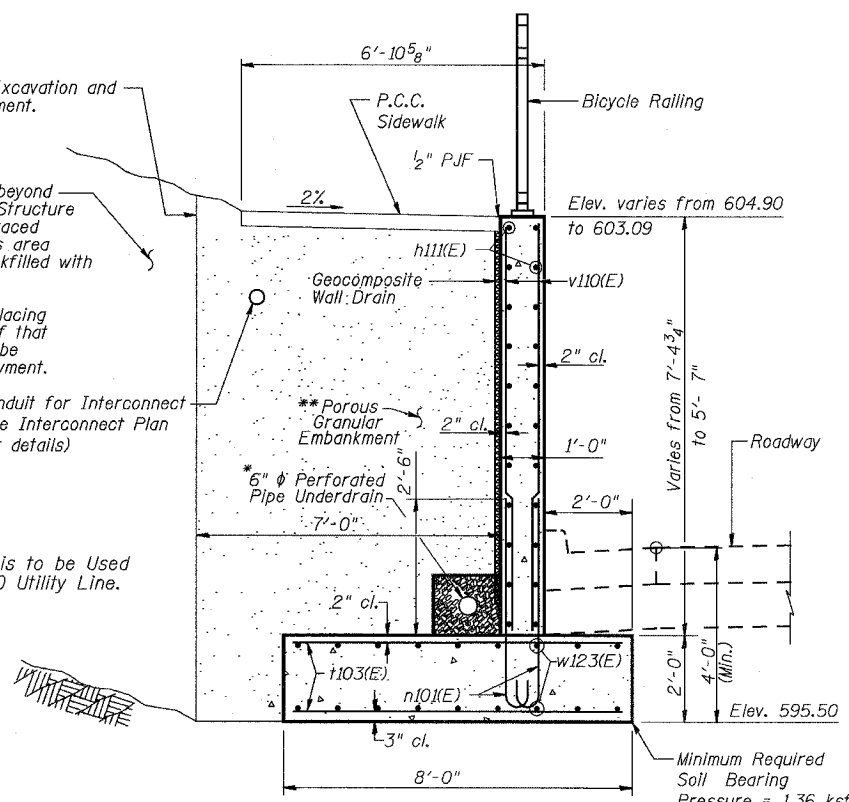


- Notes:
1. Work this sheet with Sheet 12.
 2. ** Excavation for placing Porous Granular Embankment is included in cost of Braced Excavation & Structure Excavation.
 3. Porous Granular Embankment shall be compacted to 95% Modified Proctor Density and its coarse aggregate gradation shall be CA 18.

Pay limit for Structure Excavation and Porous Granular Embankment.

Over excavation beyond the pay limit of Structure Excavation or Braced Excavation. This area also shall be backfilled with Porous Granular Embankment. Furnishing and placing of this portion of that material will not be measured for payment.

Conduit for Interconnect (see Interconnect Plan for details)



SECTION STA. 96+88.11 TO 97+09.88

Note: No Sheet piling is to be Used near the 360 Utility Line.

DESIGNED	MAD
CHECKED	JPB
DRAWN	MDS
CHECKED	DEY

URS
100 South Wacker Drive,
Suite 500
Chicago, IL 60606
(312) 939-1000

REVISIONS	
NAME	DATE

ILLINOIS DEPARTMENT OF TRANSPORTATION
US RTE 6 FROM I-294 TO IL RTE 1
RET. WALL "F" DETAILS
STA. 96+80.35 TO 97+43.68
S.S. 6 MAINLINE RETAINING WALLS
ALONG 159TH STREET
SCALE: DATE: 2/21/2008

3/13/2008 5:50:07 PM g:\17049_065\structures\retaining walls\main\contract\walls under bridges along us 6\13 n96-97 f b.dwg