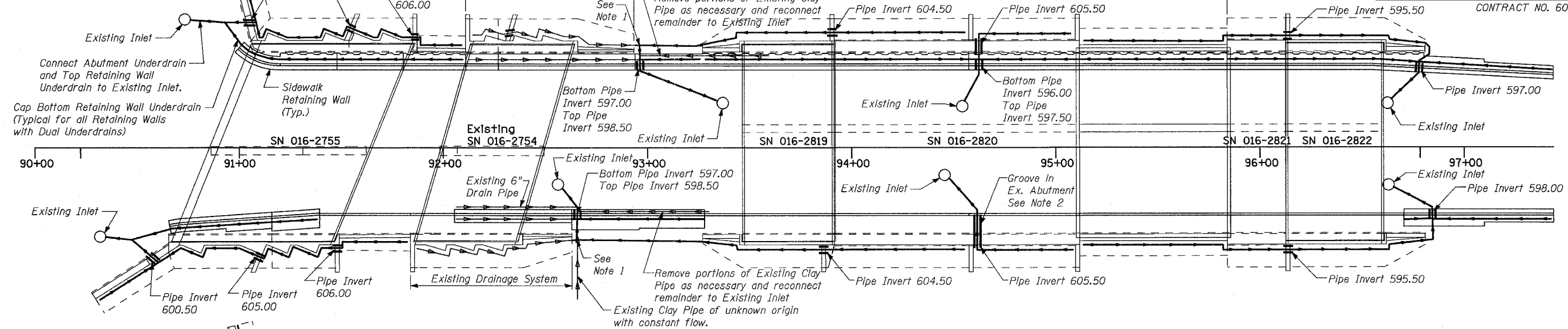


3/13/2008 6:16:07 PM
 G:\1749_069\structures\retaining walls\main_contract\walls under bridges along us 6\24-underdrain.dgn

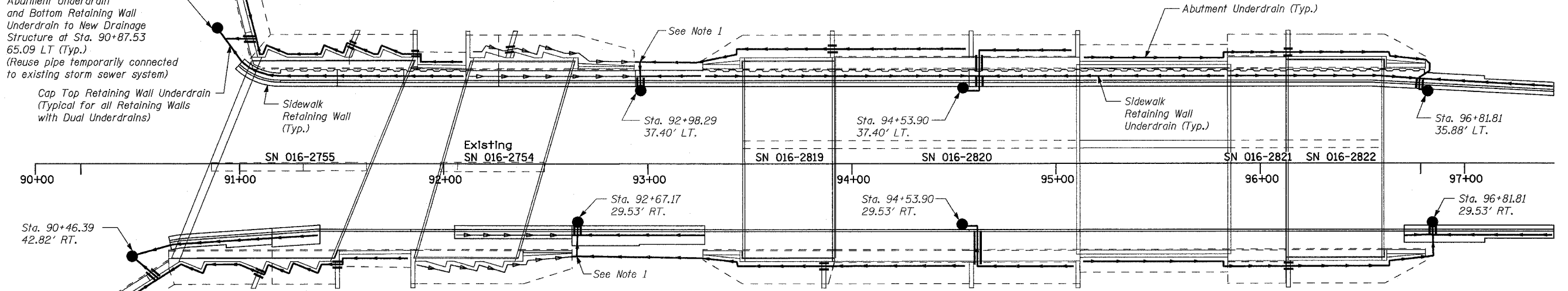
STATE OF ILLINOIS
DEPARTMENT OF TRANSPORTATION

ROUTE NO.	SECTION	COUNTY	TOTAL SHEETS	SHEET NO.
F.A.P. 351	2008-001VB	COOK	579	526
FED. ROAD DIST. NO. 7		ILLINOIS	FED. AID PROJECT-	
CONTRACT NO. 60E10				

SHEET NO. 24
24 SHEETS



PLAN - DRAINAGE SYSTEM TEMPORARILY CONNECTED TO EXISTING STORM SEWER SYSTEM



PLAN - FINAL UNDERDRAIN SYSTEM CONNECTED TO PROPOSED STORM SEWER SYSTEM

PIPE UNDERDRAIN SCHEDULE

Structure	Location	Perforated Quantity (LF)	Non-Perforated Quantity (LF)
SN 016-2755	N. Abutment	161	32
	S. Abutment	168	30
SN 016-2819	N. Abutment	71	88
	S. Abutment	71	96
SN 016-2820	N. Abutment	116	46
	S. Abutment	116	52
SN 016-2821	N. Abutment	103	0
	S. Abutment	103	0
SN 016-2822	N. Abutment	73	45
	S. Abutment	73	50

Structure	Location	Perforated Quantity (LF)	Non-Perforated Quantity (LF)
Sidewalk Retaining Walls	Wall "A"	226	14
	Wall "B"	196	0
	Wall "C"	240	0
	Wall "D"	173	0
	Wall "E"	68	0
	Wall "F"	63	0
	Wall "G"	134	20
	Wall "H"	130	0
	Wall "I"	0	0
	Wall "J"	0	0
	Wall "K"	0	0
Wall "L"	0	0	
Wall "M"	73	0	
Subtotals		2358	473
Total Pipe Underdrain for Structures 6"		2831	

LEGEND

- Existing Pipe Underdrain provided with construction of SN 016-2754 & also associated retaining walls
- Pipe Underdrains for structures
- Existing Drainage Structure
- Proposed Drainage Structure (See Roadway Plans)
- Sleeve Through Concrete (included in cost "Concrete Structures")

Notes:

- Existing retaining walls in front of SN 016-2754 have dual underdrains with lower pipes capped. All existing upper pipes shall be temporarily disconnected to allow construction of the new adjacent retaining walls, then reconnected to the existing storm sewer system through the new temporary underdrain system. Lower pipes shall temporarily remain capped. Upon completion of the new storm sewer system, upper pipes shall be capped and lower pipes shall be uncapped and connected to the new storm sewer through the new final underdrain system.
- For Drainage and Backfill for each structure see the plans for that structure.
- Pipe Underdrain schedule includes pay item lengths for pipe underdrain required for all bridges and adjacent wingwalls and sidewalk retaining walls.

REVISIONS	
NAME	DATE

ILLINOIS DEPARTMENT OF TRANSPORTATION
US RTE 6 FROM I-294 TO IL RTE 1

UNDERDRAIN LAYOUT FOR STRUCTURES

U.S. 6 MAINLINE RETAINING WALLS
ALONG 159TH STREET

SCALE: _____ DATE: 2/21/2008

URS 100 South Wacker Drive,
Suite 500
Chicago, IL 60606
(312) 939-1000

DESIGNED	MAD
CHECKED	JPB
DRAWN	MAD
CHECKED	DEY