

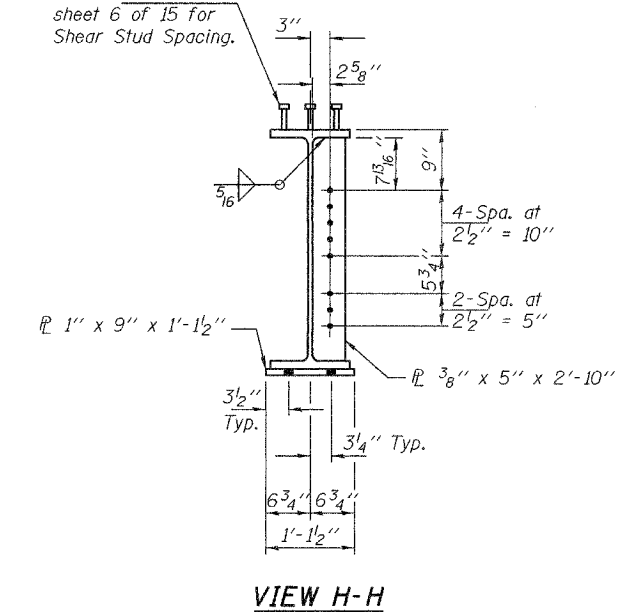
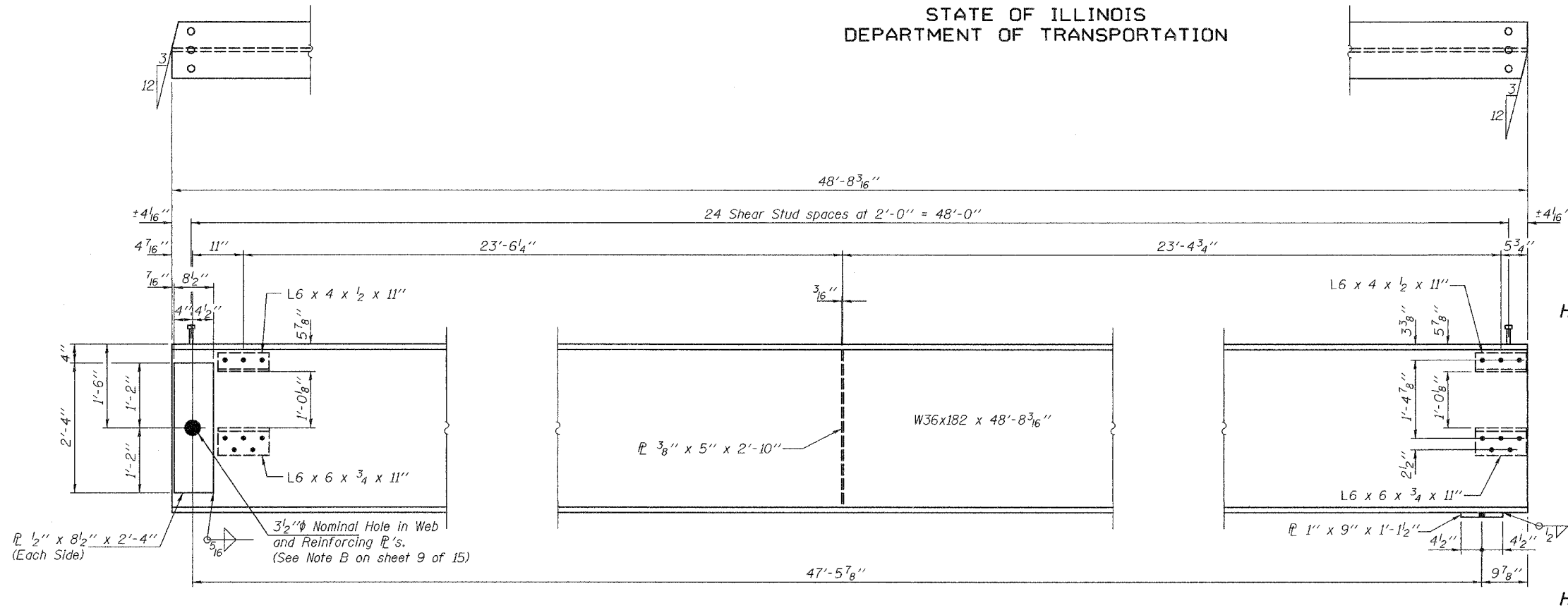
STATE OF ILLINOIS
DEPARTMENT OF TRANSPORTATION

ROUTE NO.	SECTION	COUNTY	TOTAL SHEETS	SHEET NO.
FAI 94	*	COOK	30	10
FED. ROAD DIST. NO. 7	ILLINOIS	FED. AID PROJECT		

SHEET NO. 7
15 SHEETS

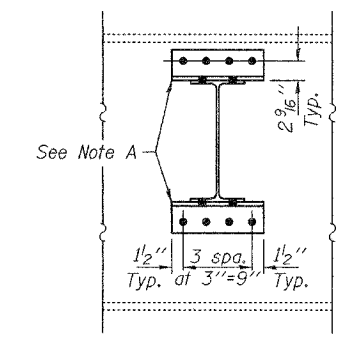
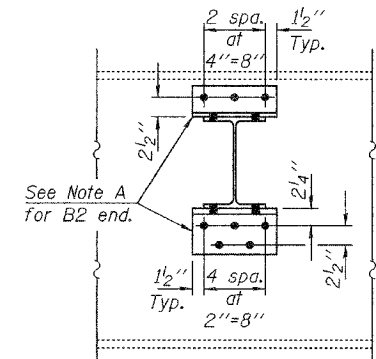
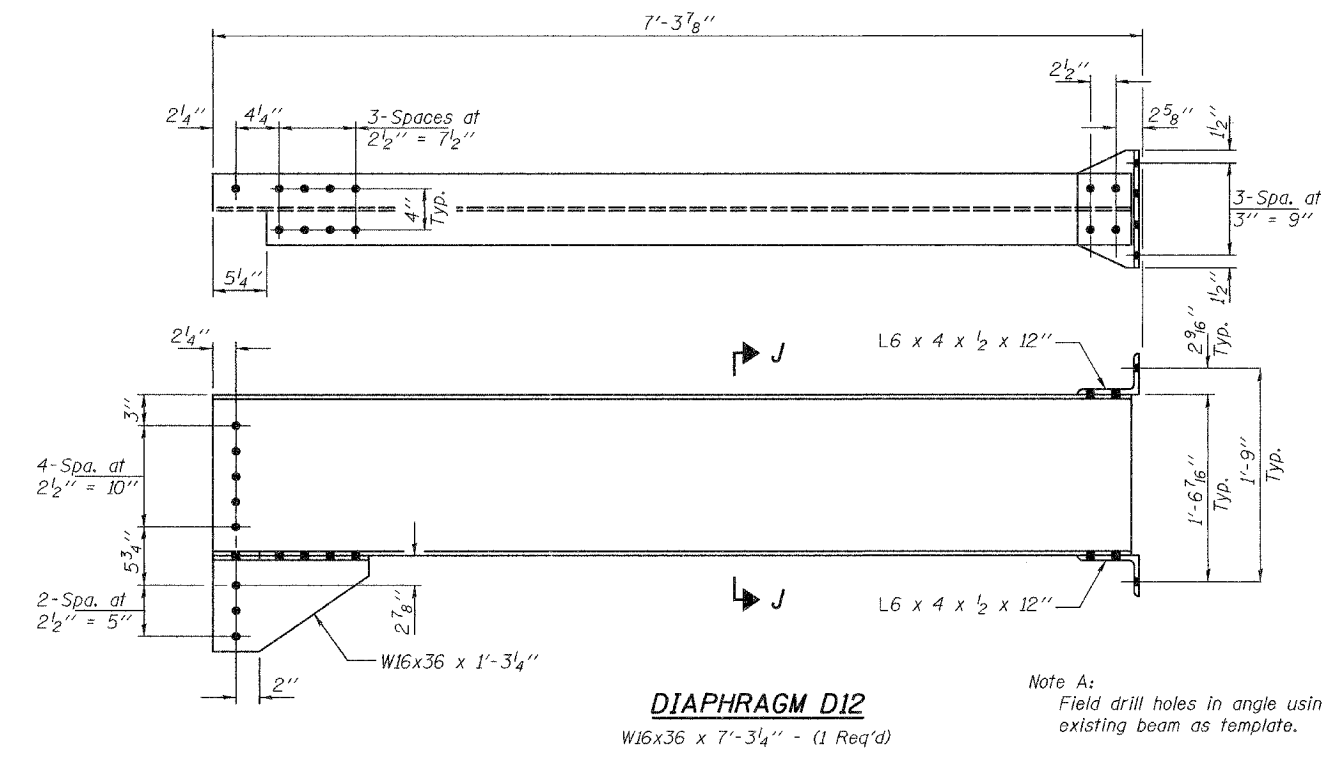
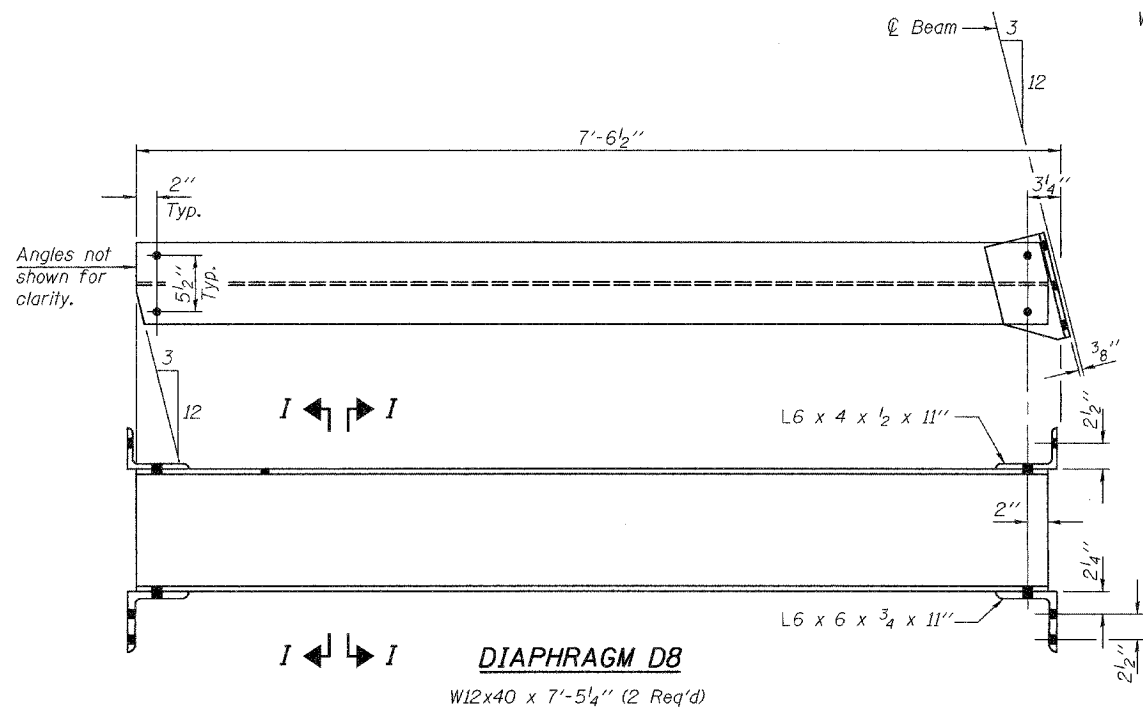
Contract Number: 60E12
* IIII-700 HB-BR

See Sec. G-G on sheet 6 of 15 for Shear Stud Spacing.



BEAM 1

W36x182 x 48'-8³/₁₆"
(1 Required)



Note A:
Field drill holes in angle using existing beam as template.

DESIGNED	ATH
CHECKED	VHV
DRAWN	Steffen
CHECKED	ATH VHV

EXAMINED
MAY 16, 2008
Ralph E. Anderson
ENGINEER OF STRUCTURAL SERVICES
ENGINEER OF BRIDGES AND STRUCTURES

BEAM & DIAPHRAGM DETAILS
115th ST. OVER FAI RT. 94
COOK COUNTY
SN 016-2042