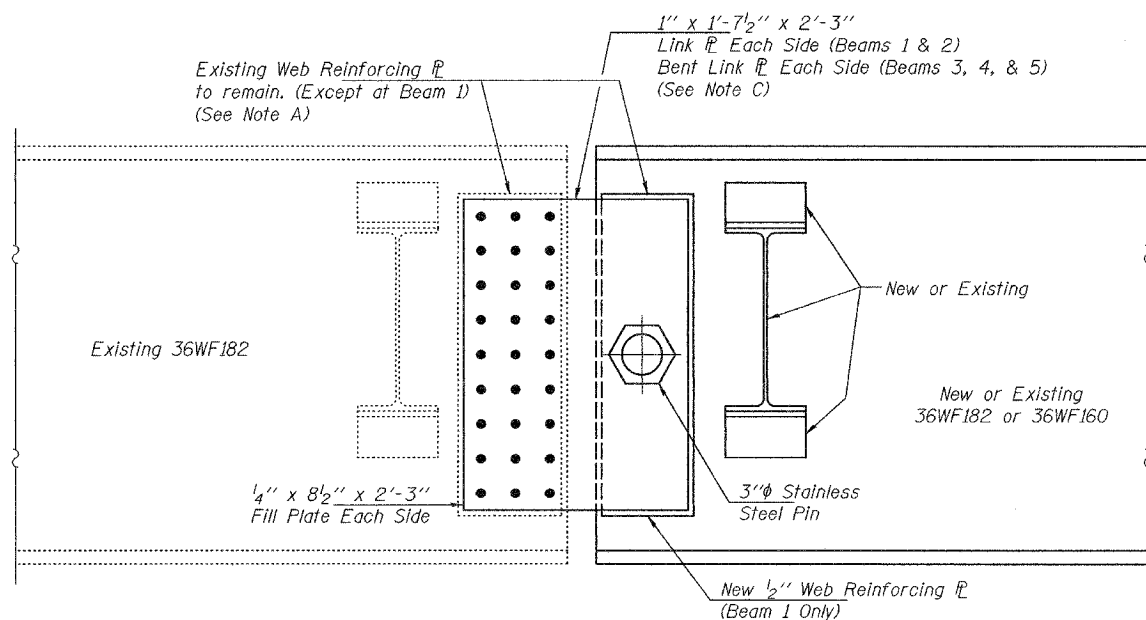


STATE OF ILLINOIS  
DEPARTMENT OF TRANSPORTATION

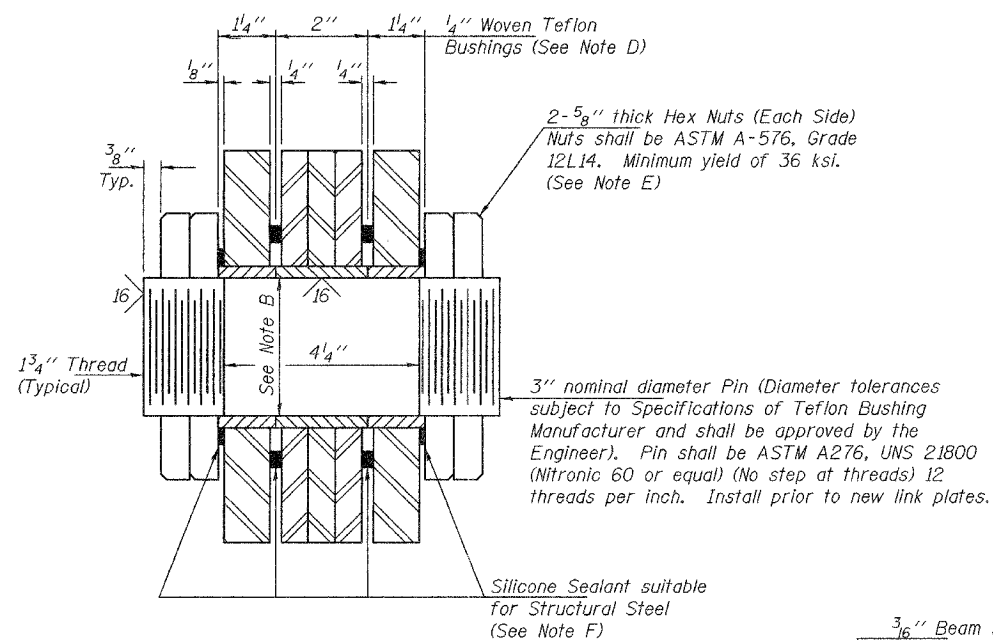
ROUTE NO.	SECTION	COUNTY	SHEET	SHEET NO.
FAI 94	*	COOK	30	12
ILLINOIS		FED. AID PROJECT		

Contract Number: 60E12  
\* 1111-700 HB-BR

SHEET NO. 9  
15 SHEETS

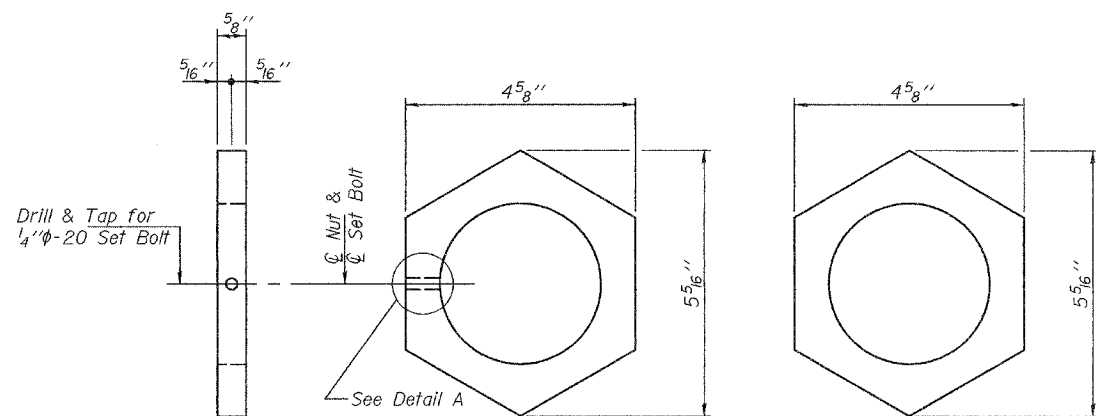


ELEVATION AT PIN CONNECTION 2



SECTION THRU PIN

(5 Required)

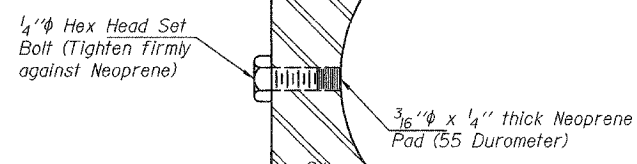


EXTERIOR NUT DETAIL

(10 Required)

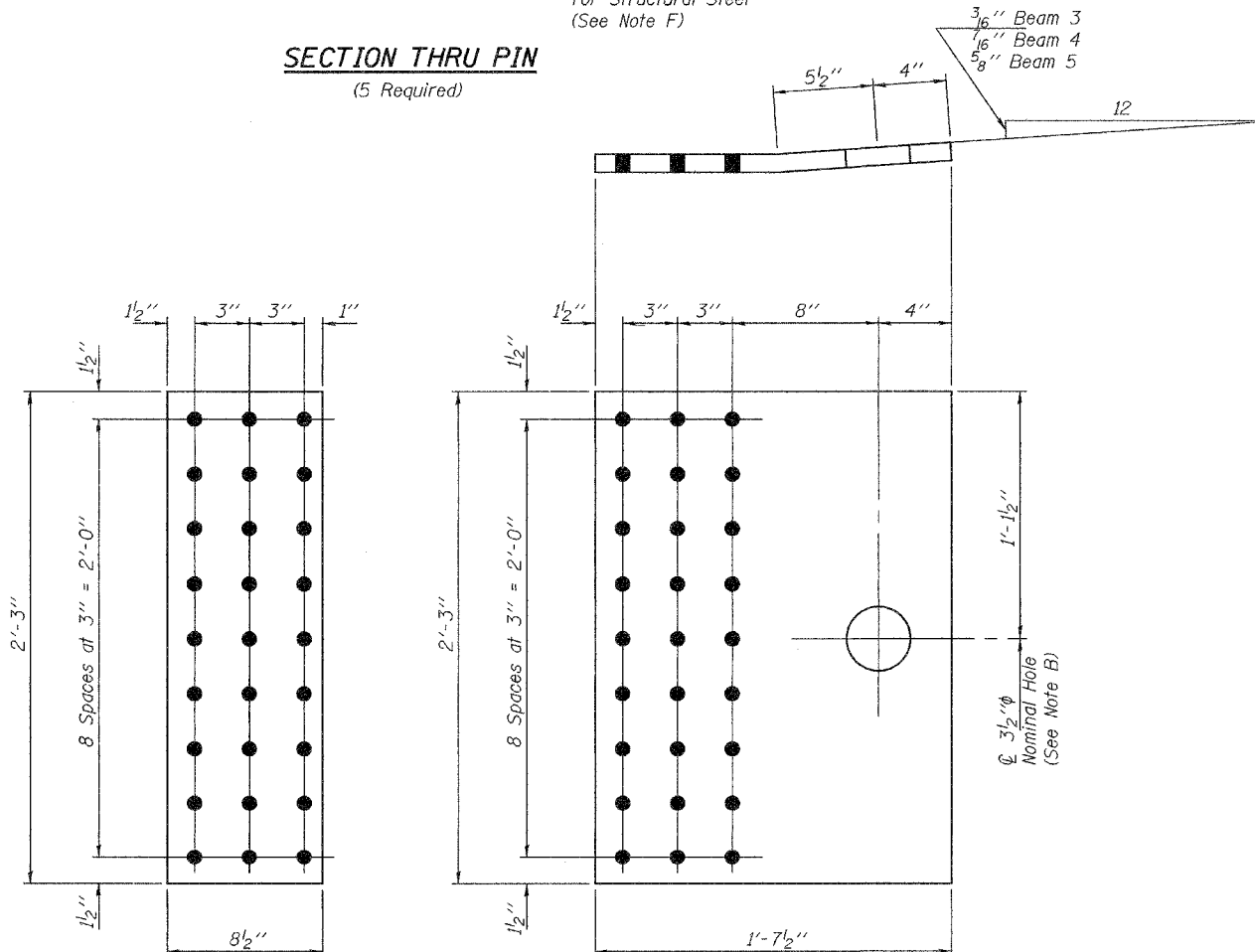
INTERIOR NUT DETAIL

(10 Required)



DETAIL A

Set Bolts shall conform to the requirements of ASTM A307 and shall be galvanized according to AASHTO M232.



FILL PLATE DETAIL

(10 Required)

LINK PLATE DETAIL

(4 Required Not Bent)  
(2 Required Bent 3/16")  
(2 Required Bent 7/16")  
(2 Required Bent 5/8")

LINK PLATE DETAILS  
115th ST. OVER FAI RT. 94  
COOK COUNTY  
SN 016-2042

DESIGNED	ATH
CHECKED	VHV
DRAWN	Steffen
CHECKED	ATH VHV

EXAMINED	MAY 16, 2008 <i>Carl P. [Signature]</i> ENGINEER OF STRUCTURAL SERVICES
PASSED	<i>Ralph E. Anderson</i> ENGINEER OF BRIDGES AND STRUCTURES