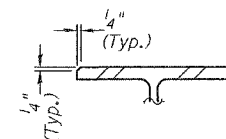


STATE OF ILLINOIS
DEPARTMENT OF TRANSPORTATION

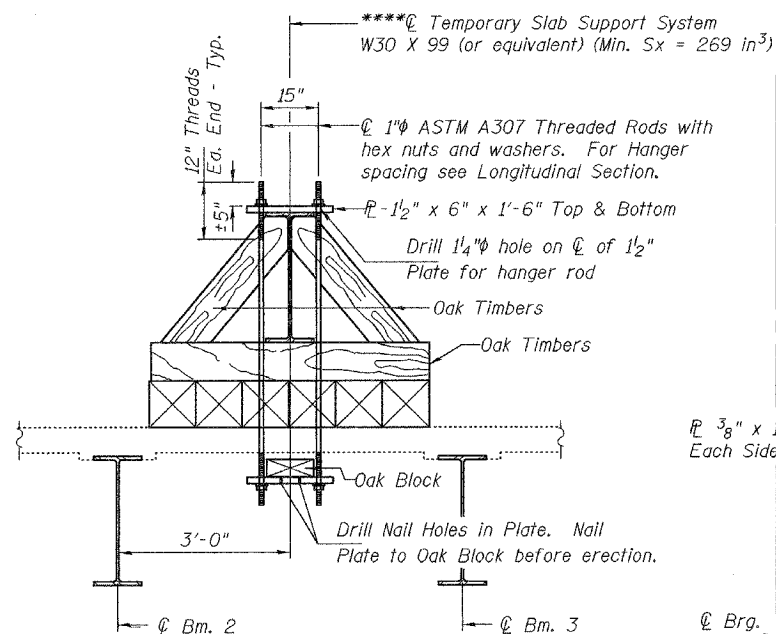
ROUTE NO.	SECTION	COUNTY	TOTAL SHEETS	SHEET NO.
		Kane	14	7
FED. ROAD DIST. NO. 7		ILLINOIS	FED. AID PROJECT-	

SHEET NO. 4
5 SHEETS

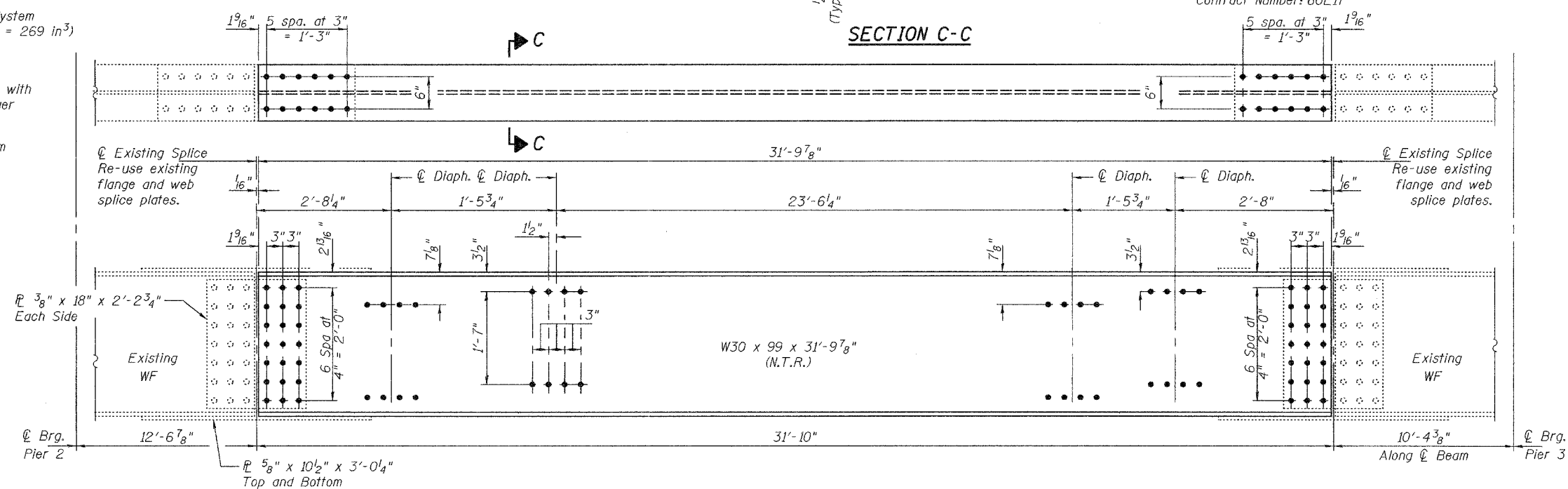
Contract Number: 60E17



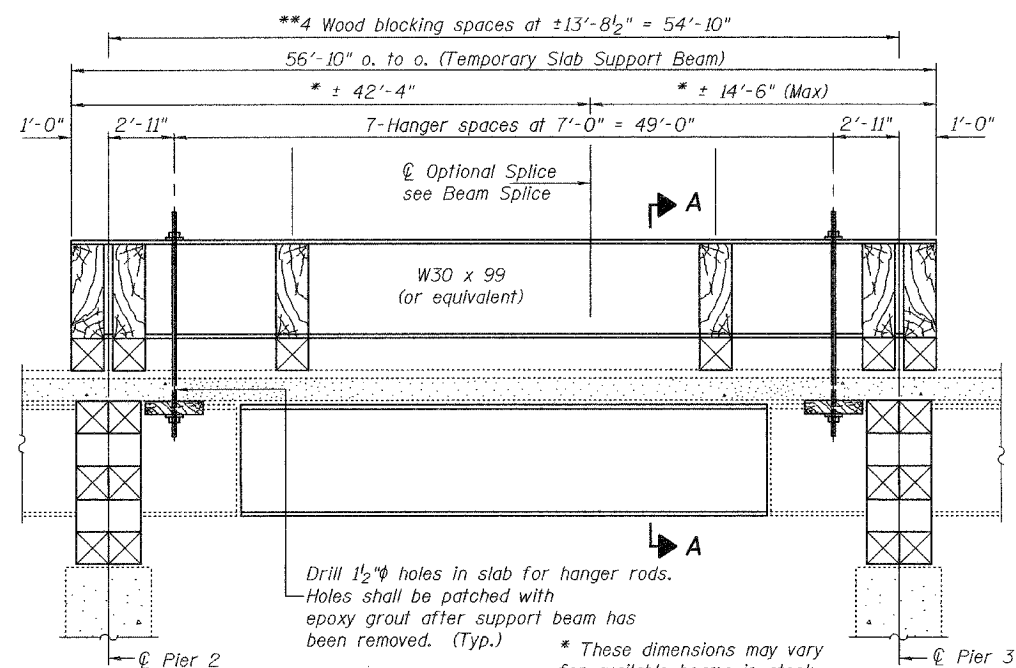
SECTION C-C



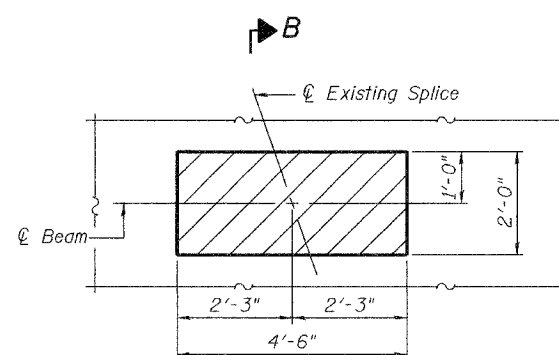
SECTION A-A



ELEVATION BEAMS 2 AND 3

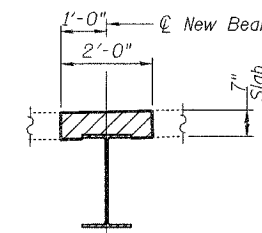


LONGITUDINAL SECTION
SUGGESTED TEMPORARY SLAB SUPPORT SYSTEM

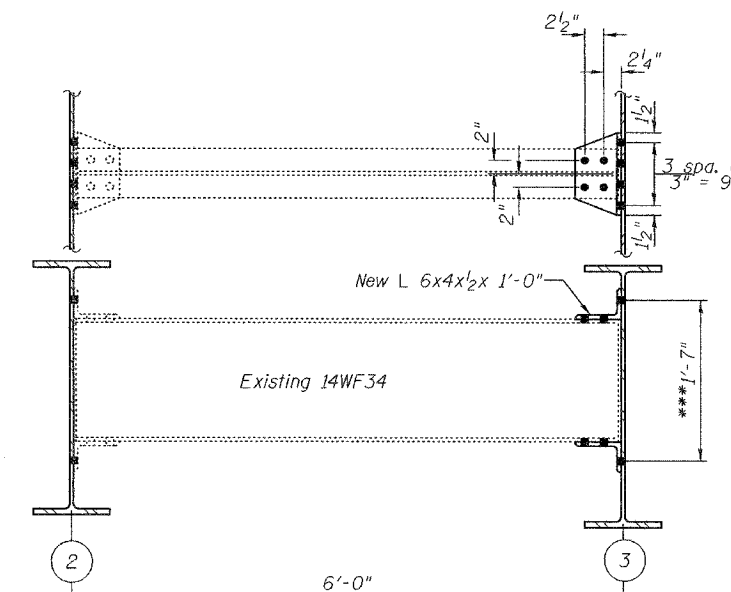


TYPICAL CONCRETE
REMOVAL AND REPLACEMENT

Hatched areas indicate concrete sections to be removed and replaced. Perimeters of concrete removal areas shall be saw cut 3/4" prior to the removal of concrete.
Reinforcement shall be cut only if required for fitting bolts. Cut reinforcement shall be spliced as directed by the Engineer. Cost shall be included with Concrete Removal.
The cost of saw cutting shall be included with Concrete Removal.



SECTION B-B



DIAPHRAGM CONNECTION DETAIL

Notes: Natural camber of new beam shall be placed upward for fabrication.
Diaphragm connection holes shall be 5/16 inch for 3/4 inch bolts. Two hardened washers shall be required at diaphragm connections.
***Adjacent beam segments shall not be replaced concurrently.

***Field drill holes in web using holes in new and existing angles as a template.

DESIGNED	J.S.B.
CHECKED	P.S.J.
DRAWN	Drew Christopher
CHECKED	J.S.B. P.S.J.

EXAMINED	April 17, 2008
PASSED	Ralph E. Anderson

BEAMS 2 AND 3 DETAILS
F.A. RT. 365
KANE COUNTY
SN.045-0081