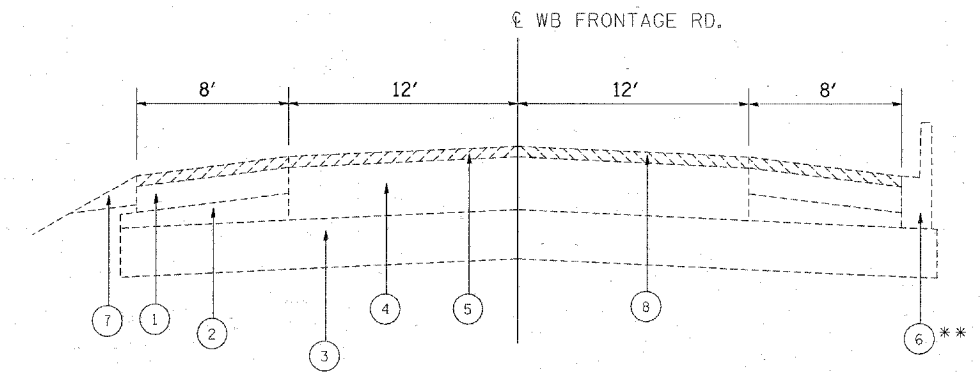


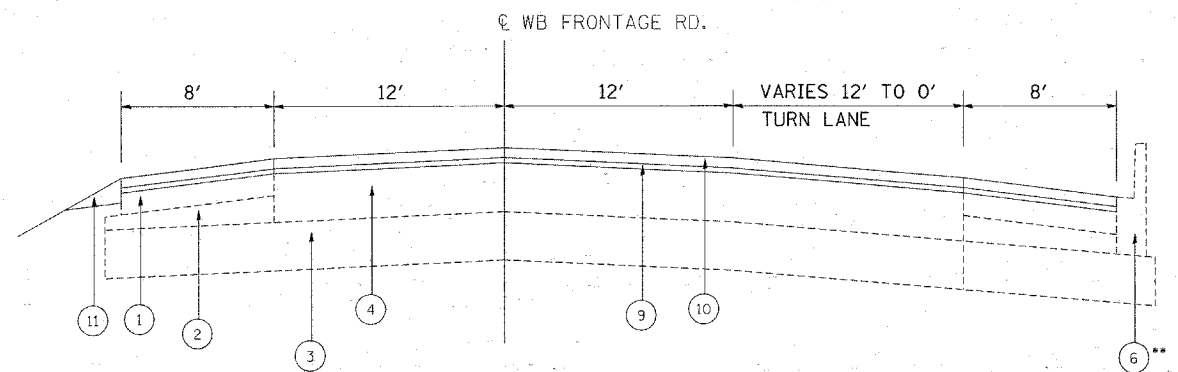
EXISTING TYPICAL SECTION  
W/B ELGIN-O'HARE (FRONTAGE ROAD)  
STA. 10+27 TO STA. 13+18

\*\*REFER TO PLAN FOR LOCATIONS OF CURB & GUTTER

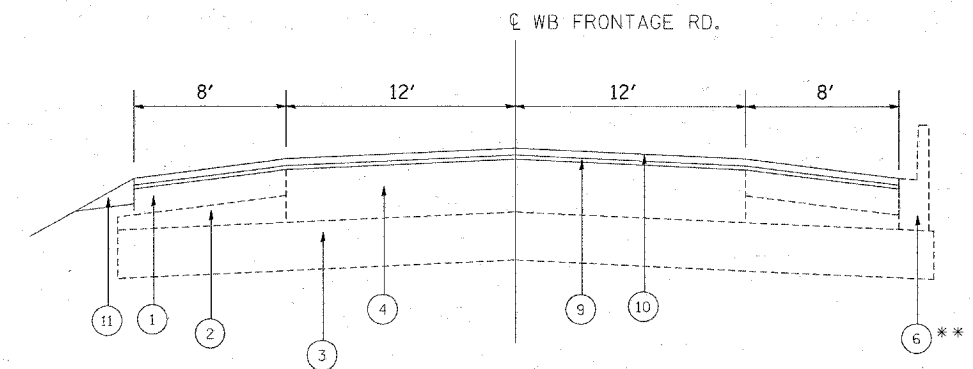


EXISTING TYPICAL SECTION  
W/B ELGIN-O'HARE (FRONTAGE ROAD)  
STA. 13+18 TO STA. 16+34  
STA. 25+64 TO STA. 37+55  
STA. 42+96 TO STA. 59+50

\*\*REFER TO PLAN FOR LOCATIONS OF CURB & GUTTER



PROPOSED TYPICAL SECTION  
W/B ELGIN-O'HARE (FRONTAGE ROAD)  
STA. 10+27 TO STA. 16+34



PROPOSED TYPICAL SECTION  
W/B ELGIN-O'HARE (FRONTAGE ROAD)  
STA. 13+18 TO STA. 16+34  
STA. 25+64 TO STA. 37+55  
STA. 42+96 TO STA. 59+50

**LEGEND**

- ① EXISTING HMA SHOULDER 8"
- ② EXISTING SUB-BASE GRANULAR MATERIAL, TYPE B
- ③ EXISTING AGGREGATE SUBGRADE, 12"
- ④ EXISTING HMA BINDER COURSE, TYPE 2, 12"
- ⑤ EXISTING HMA SURFACE COURSE, 1 1/2"
- ⑥ EXISTING COMBINATION CONCRETE CURB AND GUTTER, TYPE B-6.24
- ⑦ EXISTING AGGREGATE SHOULDER TYPE B
- ⑧ PROPOSED HOT-MIX ASPHALT SURFACE REMOVAL, 2 1/4"
- ⑨ PROPOSED POLYMERIZED LEVELING BINDER (MACHINE METHOD), IL-4.75, N50, 3/4"
- ⑩ PROPOSED HOT-MIX ASPHALT SURFACE COURSE, MIX "D", N70, 1 1/2"
- ⑪ PROPOSED AGGREGATE WEDGE SHOULDER, TYPE B

HOT-MIX ASPHALT MIXTURE REQUIREMENTS				
MIXTURE USES	POLYMERIZED LEVELING BINDER (MACHINE METHOD), IL-4.75, N50	HOT-MIX ASPHALT SURFACE COURSE, MIX "D", N70 (IL-9.5 MM)	HOT-MIX ASPHALT REPLACEMENT OVER PATCHES (BINDER IL-19MM)	CLASS D PATCHES (HMA BINDER IL-19MM)
AC TYPE	SBS/SBR PG 76-28/-22	PG 64-22	PG 64-22 *	PG 64-22 *
DESIGN AIR VOIDS	4.0% @ 50 GYR	4.0% @ 70 GYR	4% @ 70 GYR	4% @ 70 GYR
THE UNIT WEIGHT USED TO CALCULATE ALL HOT-MIX ASPHALT SURFACE MIX QUANTITIES IS 112 LBS/SY/IN				
* WHEN RAP EXCEEDS 20%, THE NEW ASPHALT BINDER SHALL BE PG 58/22				

FILE NAME = c:\projects\dl134708\dl134708a.dgn

USER NAME = bankal  
PLOT SCALE = 58.0000 "/ IN.  
PLOT DATE = 4/1/2008

DESIGNED -  
DRAWN -  
CHECKED -  
DATE -

REVISED -  
REVISED -  
REVISED -  
REVISED -

**STATE OF ILLINOIS  
DEPARTMENT OF TRANSPORTATION**

**ELGIN-O'HARE (FRONTAGE ROAD)  
TYPICAL SECTIONS**

SCALE: NTS SHEET NO. OF SHEETS STA. X TO STA. X

F.A.P. RTE. 345	SECTION 16-2-1-K-RS	COUNTY COOK	TOTAL SHEETS 31	SHEET NO. 4
CONTRACT NO. 60E26				
FED. ROAD DIST. NO. 1 [ILLINOIS] FED. AID PROJECT				