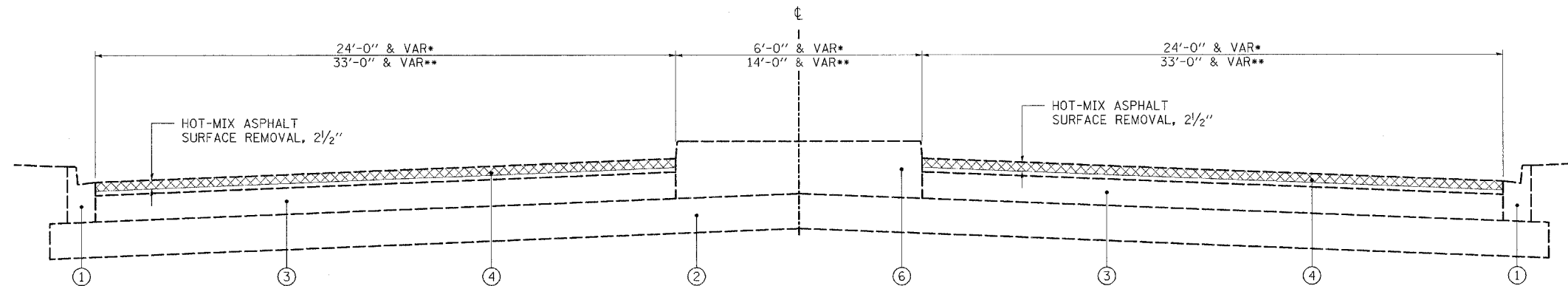


EXISTING TYPICAL SECTION PULASKI ROAD

STA 10+48 TO STA 39+42



EXISTING TYPICAL SECTION PULASKI ROAD

*STA 39+42 TO STA 53+53
**STA 53+53 TO STA 62+44

LEGEND

- ① EXISTING COMBINATION CURB AND GUTTER, TYPE B-6.12
- ② EXISTING AGGREGATE BASE COURSE
- ③ EXISTING PCC PAVEMENT, ±9"
- ④ EXISTING HOT-MIX ASPHALT PAVEMENT, ±3" (BEFORE SURFACE REMOVAL)
- ⑤ EXISTING HOT-MIX ASPHALT PAVEMENT, ±12" (BEFORE SURFACE REMOVAL)
- ⑥ EXISTING RAISED MEDIAN
- ⑦ PROPOSED POLYMERIZED LEVELING BINDER (MACHINE METHOD), IL-4.75, N50, 3/4"
- ⑧ PROPOSED POLYMERIZED HOT-MIX ASPHALT SURFACE COURSE, "MIX F", N90, 1 3/4"

PLOT DATE = 4/18/2008
 FILE NAME = K:\1122597\sheet\1122597_EXIST_TYPICAL.dgn
 USER = jng
 MODEL = Default



200 West Front Street
Wheaton, IL 60187

DESIGNED - LCM	REVISED -
DRAWN - LCM	REVISED -
CHECKED - BLB	REVISED -
DATE - 3/28/08	REVISED -

**STATE OF ILLINOIS
DEPARTMENT OF TRANSPORTATION**

**PULASKI ROAD
EXISTING TYPICAL SECTIONS**

SCALE: SHEET NO. OF SHEETS STA. TO STA.

F.A.P. RTE.	SECTION	COUNTY	TOTAL SHEETS	SHEET NO.
368	1718.3 RS	COOK	22	4
CONTRACT NO. 60E28				
FED. ROAD DIST. NO. 1 ILLINOIS FED. AID PROJECT				