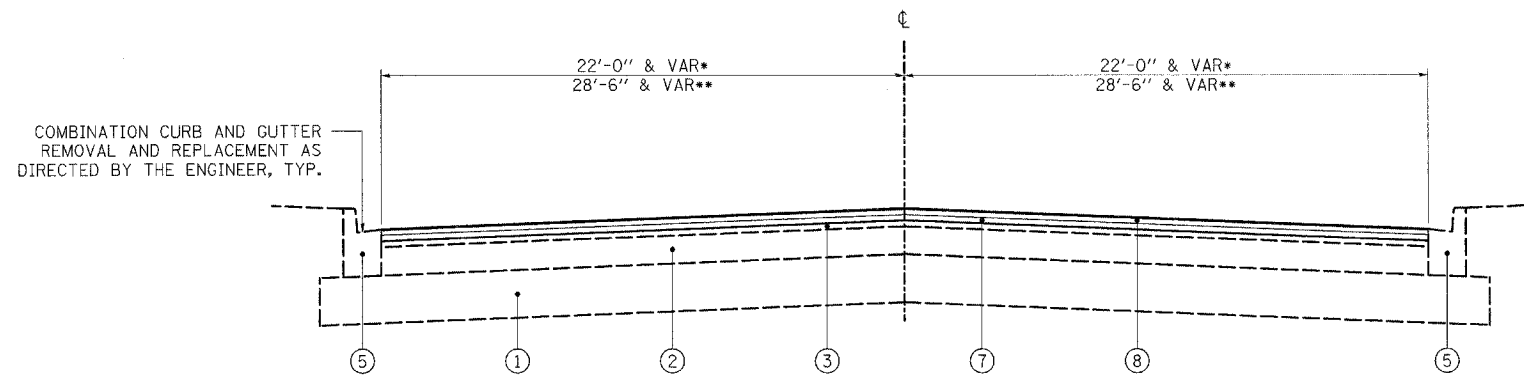


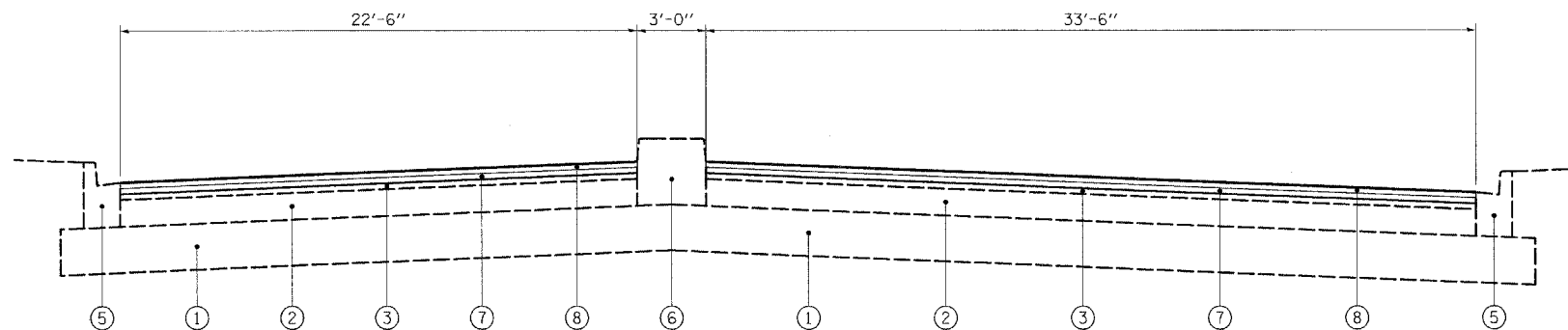
PROPOSED TYPICAL SECTION 127th STREET

STA 8+00 TO STA 20+25



PROPOSED TYPICAL SECTION 127th STREET

*STA 20+25 TO STA 35+90
 **STA 35+90 TO STA 40+35



PROPOSED TYPICAL SECTION 127th STREET

STA 40+35 TO STA 40+47

HOT-MIX ASPHALT MIXTURE

MIXTURE	AC TYPE	AIR VOIDS (%)
POLYMERIZED HOT-MIX ASPHALT SURFACE COURSE, MIX "F", N90 (IL 9.5 mm)	SBS/SBR PG 70-22	4% @ 90 GYR.
POLYMERIZED LEVELING BINDER (MACHINE METHOD), IL-4.75, N50	SBS/SBR PG 76-28/-22	4% @ 50 GYR.
HMA REPLACEMENT OVER PATCHES (HMA BINDER, IL-19 mm)	PG 64-22*	4% @ 70 GYR.
CLASS D PATCH (HMA BINDER, IL-19 mm)	PG 64-22*	4% @ 70 GYR.

THE UNIT WEIGHT USED TO CALCULATE ALL HOT-MIX ASPHALT SURFACE MIXTURES IS 112 LBS/SQ YD/IN

*WHEN RAP EXCEEDS 20%, THE NEW ASPHALT BINDER IN THE MIX SHALL BE PG 58-22.

LEGEND

- ① EXISTING AGGREGATE BASE COURSE
- ② EXISTING PCC PAVEMENT (ASSUMED 10")
- ③ EXISTING HOT-MIX ASPHALT PAVEMENT, 3" (BEFORE SURFACE REMOVAL)
- ④ EXISTING COMBINATION CURB AND GUTTER, TYPE B-6.24
- ⑤ EXISTING COMBINATION CURB AND GUTTER, TYPE B-6.12
- ⑥ EXISTING MEDIAN
- ⑦ PROPOSED POLYMERIZED LEVELING BINDER (MACHINE METHOD), IL-4.75, N50, 3/4"
- ⑧ PROPOSED POLYMERIZED HOT-MIX ASPHALT SURFACE COURSE, "MIX F", N90, 1 3/4"

PLOT DATE = 4/18/2008
 FILE NAME = R:\112255805\civ11\worksheets\112255805.TYPICAL.dgn
 PLOT SCALE = 1/4"=1'-0"
 PLOT NAME = 112255805.dwg
 INSEAL = 0.25
 DWG PLOT = 0.25



200 West Front Street
 Wheaton, IL 60187

DESIGNED - LCM	REVISED -
DRAWN - LCM	REVISED -
CHECKED - BLB	REVISED -
DATE - 3/28/08	REVISED -

STATE OF ILLINOIS
 DEPARTMENT OF TRANSPORTATION

127th ST. (KOSTNER AVE. - CRAWFORD AVE.)
 PROPOSED TYPICAL SECTIONS

SCALE: SHEET NO. OF SHEETS STA. TO STA.

F.A.P. RTE.	SECTION	COUNTY	TOTAL SHEETS	SHEET NO.
344	3034 RS-4	COOK	21	5
CONTRACT NO. 60E30				
FED. ROAD DIST. NO. 1 ILLINOIS FED. AID PROJECT				