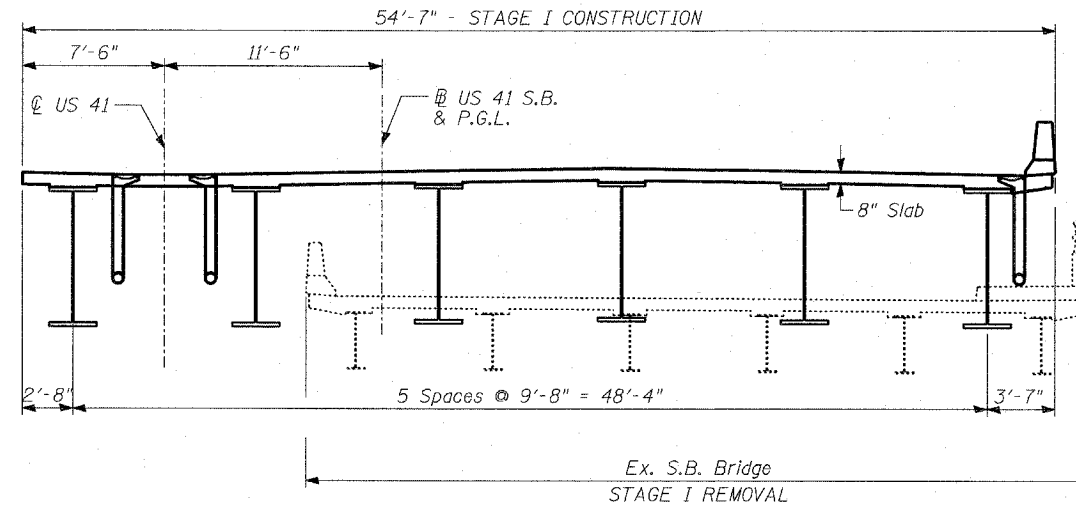
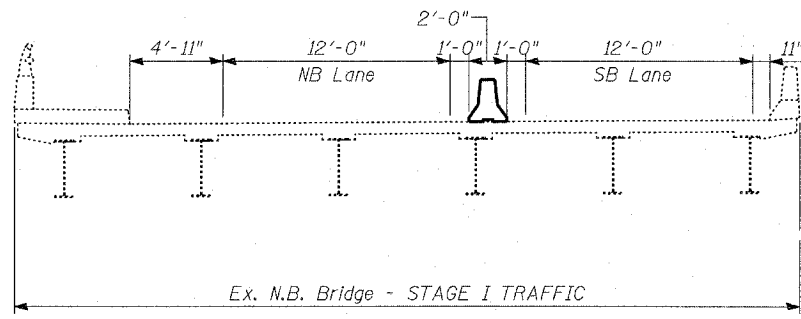


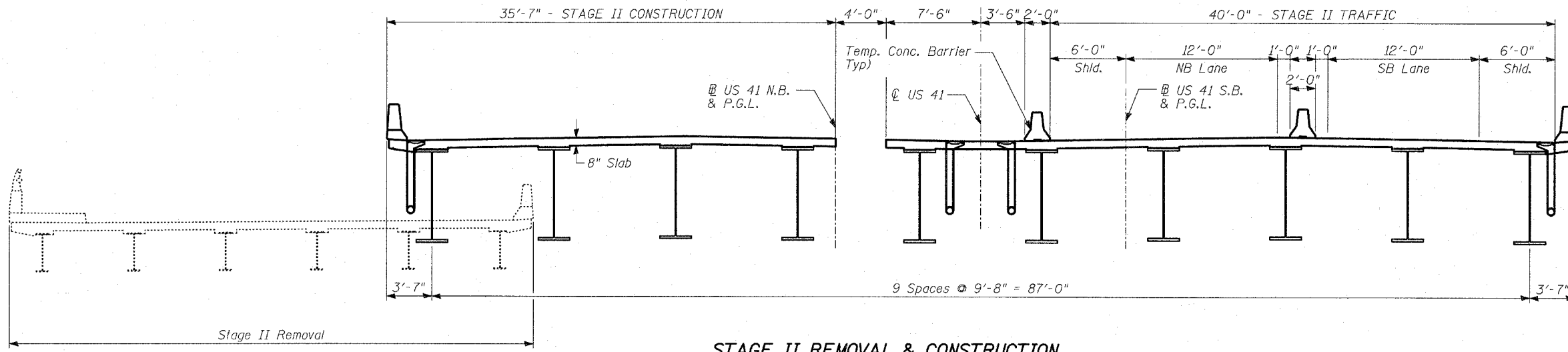
STATE OF ILLINOIS  
DEPARTMENT OF TRANSPORTATION

ROUTE NO.	SECTION	COUNTY	TOTAL SHEETS	SHEET NO.
346	*	LAKE	23	5
FED. ROAD DIST. NO.	ILLINOIS	FED. AID PROJECT		
125X-HB-1F		CONTRACT # 60E33		

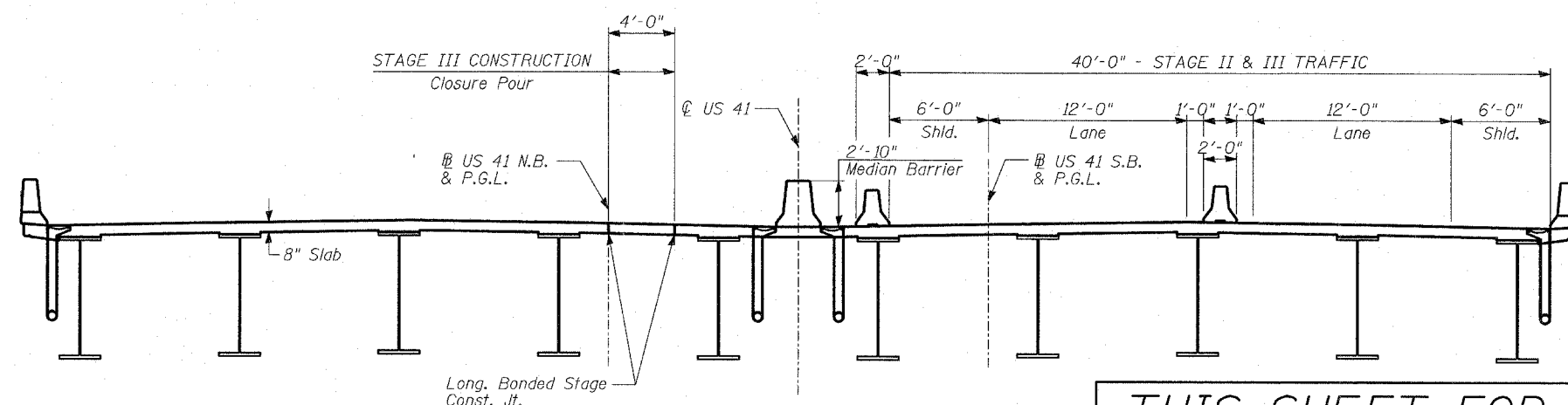
SHEET NO. - S-4  
S-66 SHEETS



**STAGE I REMOVAL & CONSTRUCTION**  
(Looking South)



**STAGE II REMOVAL & CONSTRUCTION**  
(Looking South)



**STAGE III CONSTRUCTION**  
(Looking South)

**NOTES**

1. Work to be performed during Stage III includes the deck closure pour and the median barrier.
2. For temporary Concrete Barrier details, see See Sheet S-6.
3. For Quantity of temporary concrete barrier, see Roadway Plans.

TYLIN INTERNATIONAL

DESIGNED	- CM
CHECKED	- AD
DRAWN	- CM
CHECKED	- AD

THIS SHEET FOR  
INFORMATION ONLY

**STAGE CONSTRUCTION I**

FAP 346 (U.S. ROUTE 41 - SKOKIE  
HIGHWAY) OVER ILLINOIS ROUTE 132  
SECTION 125X-HB-(1&2)R-1  
LAKE COUNTY  
S.N. 049-0209