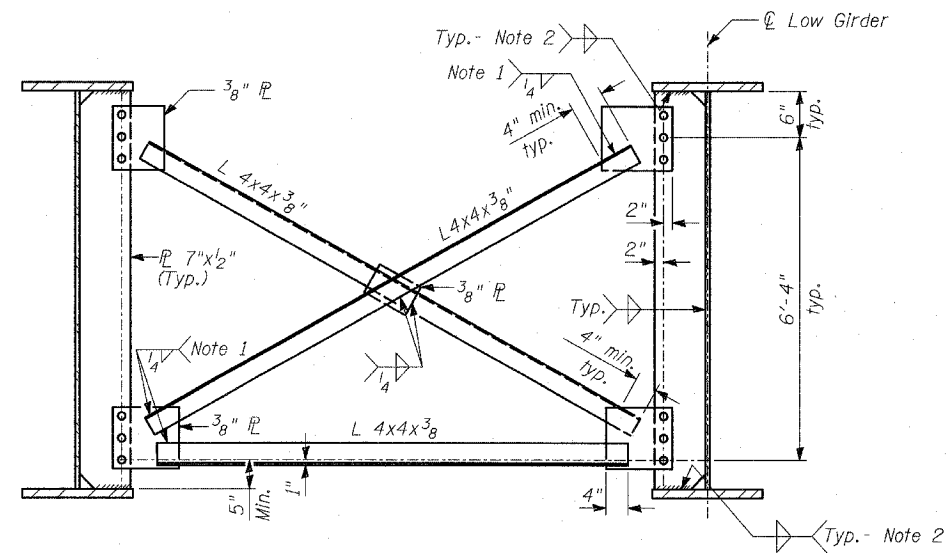


STATE OF ILLINOIS  
DEPARTMENT OF TRANSPORTATION

ROUTE NO.	SECTION	COUNTY	TOTAL SHEETS	SHEET	SHEET NO. - S-31 S-66 SHEETS
346	*	LAKE	23	19	
FED. ROAD DIST. NO.		ILLINOIS	FED. AID PROJECT		
* 125X-HB-1F		CONTRACT # 60E33			

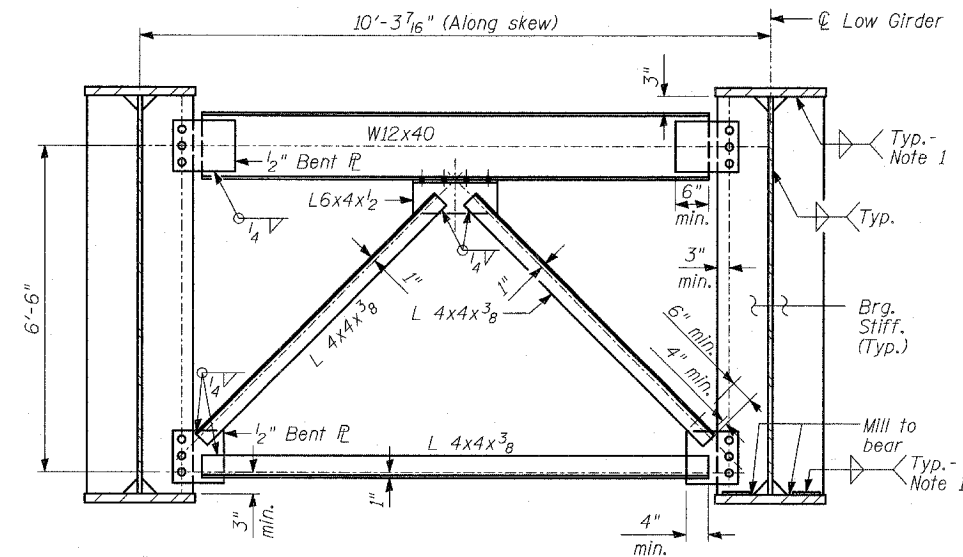


**INTERIOR CROSS FRAME CF1**

243 Required

**NOTES FOR CROSS FRAME CF1**

1. Fillet weld angle along 3 sides on one face of gusset plate.
2. Stop weld 1/4" from each end of plate.
3. Clip connection plates 1" horizontal and 4" vertical.

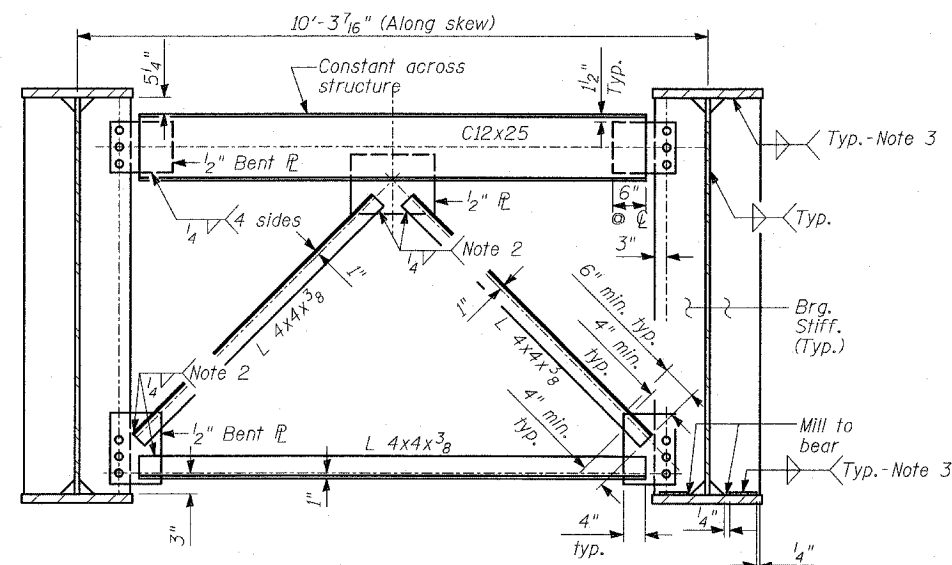


**END CROSS FRAME CF3**

8 Required for CF3

**NOTE FOR END CROSS FRAME CF3**

1. Stop weld 1/4" from each end of plate.

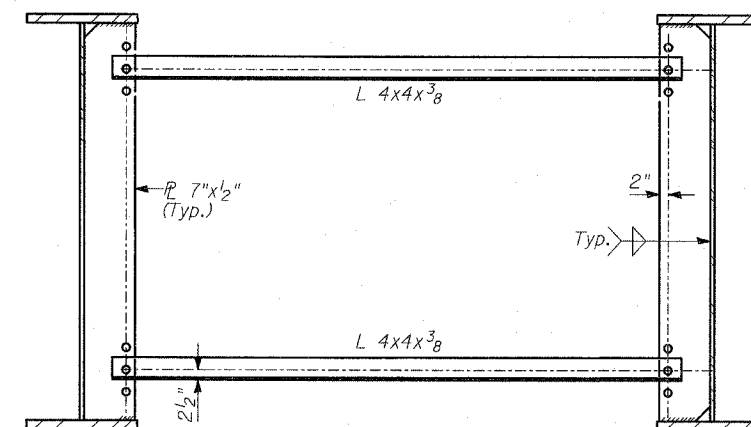


**END CROSS FRAME CF2**

8 Required

**NOTES FOR CROSS FRAME CF2**

1. Place Cross Frame with channel flanges and outstanding angle legs outward from abutment backwall.
2. Weld on near side for 1/2" plate.
3. Stop weld 1/4" from each end of plate.



**CROSS FRAME CF6 - TEMPORARY BRACING**

25 Required

**NOTES FOR CROSS FRAME CF6**

1. This detail shall be installed prior to Stage II deck pour.
2. Once deck has cured, remove temporary bracing and install CF1 members.
3. Work this detail with Interior Cross Frame CF1.
4. Bolts shall be finger tight.

**GENERAL NOTES**

1. All bolts shall be 3/4" phi with 5/16" phi holes unless otherwise noted.
2. Two hardened washers required for each set of oversized holes.
3. All cross frames shall be installed as steel is erected and secured with erection pins and bolts except as otherwise noted. Individual cross frames at supports may be temporarily disconnected to install bearing anchor rods.

**FRAMING DETAILS I**

FAP 346 (U.S. ROUTE 41 - SKOKIE  
HIGHWAY) OVER ILLINOIS ROUTE 132  
SECTION 125X-HB-(1&2)R-1  
LAKE COUNTY  
S.N. 049-0209

TYLIN INTERNATIONAL

DESIGNED	- MB
CHECKED	- AD
DRAWN	- MAF
CHECKED	- AD