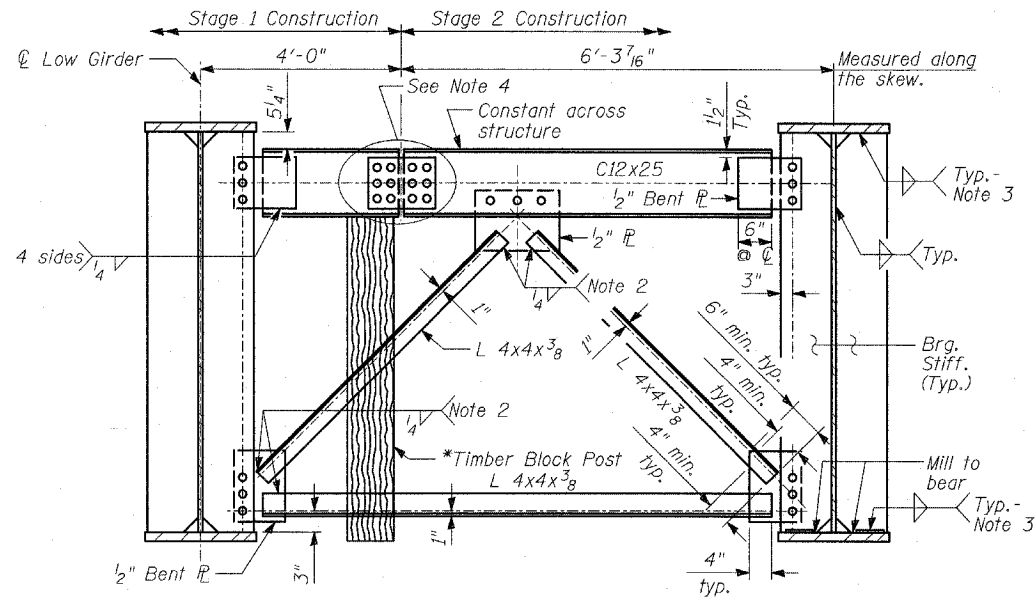


STATE OF ILLINOIS  
DEPARTMENT OF TRANSPORTATION

ROUTE NO.	SECTION	COUNTY	TOTAL SHEETS	SHEET
346	*	LAKE	23	20
FED. ROAD DIST. NO.	ILLINOIS	FED. AID PROJECT		
		125X-HB-1F	CONTRACT # 60E33	

SHEET NO. - S-32  
S-66-SHEETS



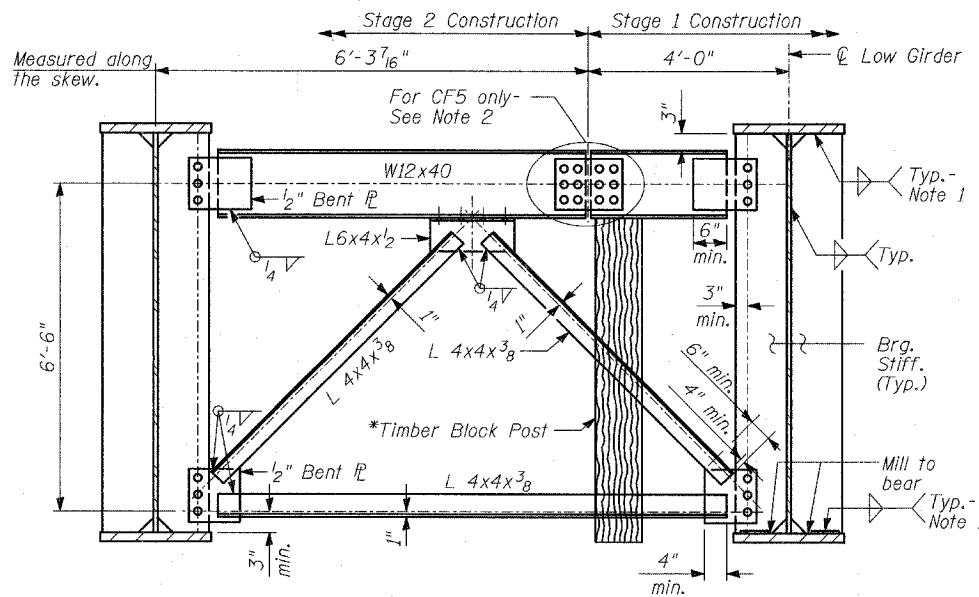
**END CROSS FRAME CF4**

1 Required

\* Cost included with "Erecting Structural Steel".

**NOTES FOR CROSS FRAME CF4**

1. Place Cross Frame with channel flanges and outstanding angle legs outward from abutment backwall.
2. Weld on near side for 1/2" plate.
3. Stop weld 1/4" from each end of plate.
4. For additional details, see "End Cross Frame CF4 Components."



**END CROSS FRAME CF5**

1 Required

**NOTES FOR END CROSS FRAME CF5**

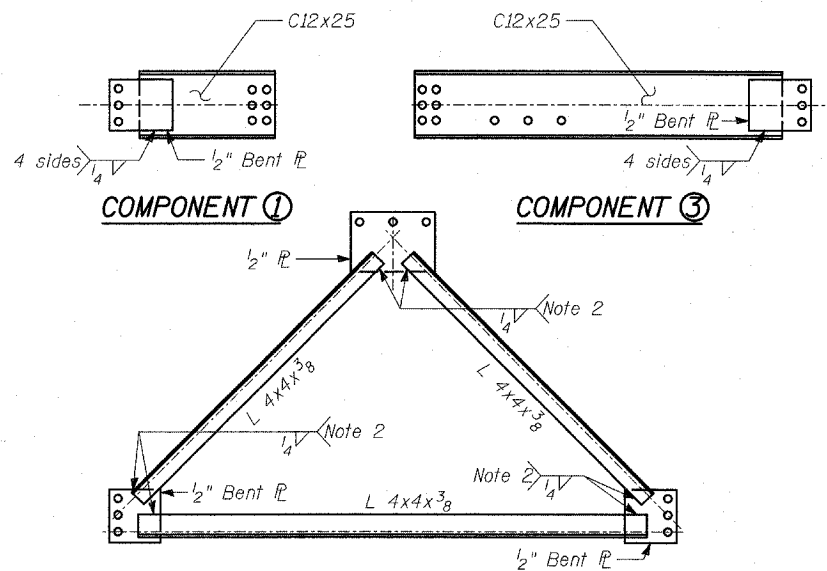
1. Stop weld 1/4" from each end of plate.
2. For additional details, see "End Cross Frame CF5 Components."

**CROSS FRAME CF4 AND CF5  
CONSTRUCTION SEQUENCE**

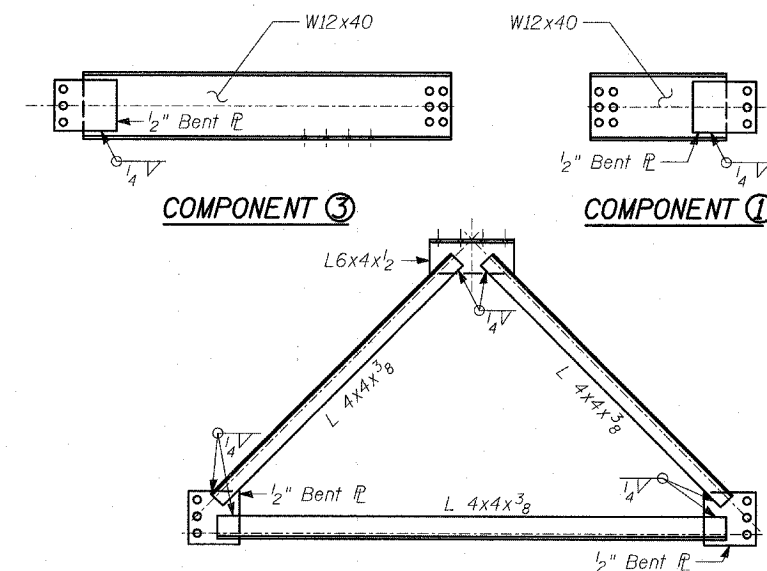
1. Order Cross Frame CF4 and CF5 in three components as shown.
2. Attach component ① to the bearing stiffener on Girder nearest Stage Construction Line.
3. Place Timber Block Post between component ① and bearing seat.
4. Pour Stage I deck and erect Stage II Girders.
5. Attach component ③ to the bearing stiffener on adjacent Stage 2 Construction Girder, and attach web splice plates.
6. Remove Timber Block Post.
7. Install component ②.
8. Complete remaining deck pours.

**GENERAL NOTES**

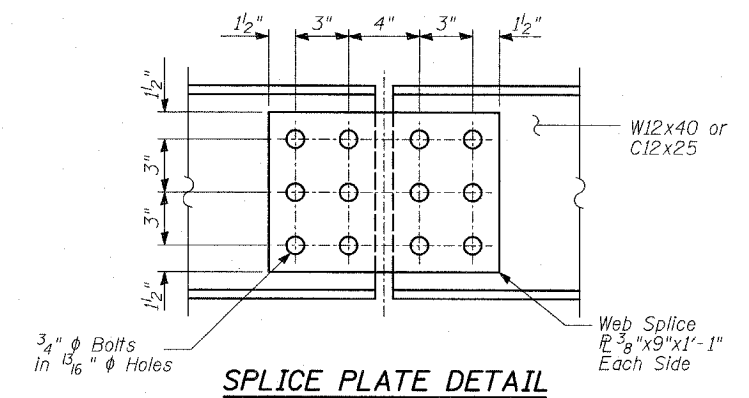
1. All bolts shall be 3/4" φ with 15/16" φ holes unless otherwise noted.
2. Two hardened washers required for each set of oversized holes.



**END CROSS FRAME CF4 COMPONENTS**



**END CROSS FRAME CF5 COMPONENTS**



**SPLICE PLATE DETAIL**

TYLIN INTERNATIONAL

DESIGNED	- MB
CHECKED	- AD
DRAWN	- MAF
CHECKED	- AD

**FRAMING DETAILS II**

FAP 346 (U.S. ROUTE 41 - SKOKIE  
HIGHWAY) OVER ILLINOIS ROUTE 132  
SECTION 125X-HB-(1&2)R-1  
LAKE COUNTY  
S.N. 049-0209