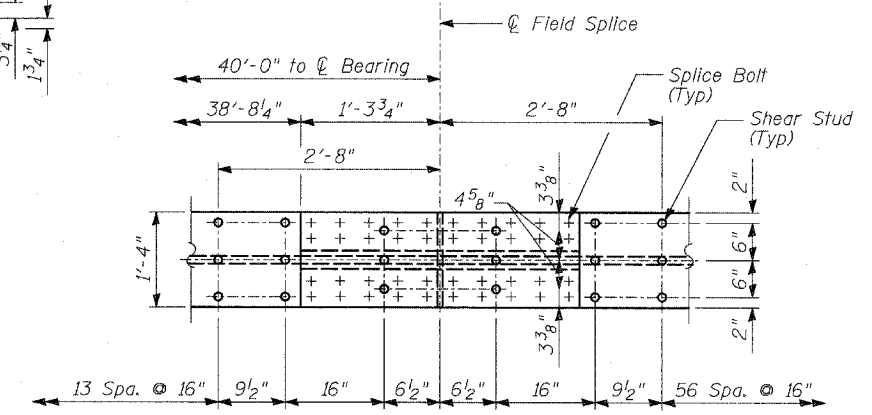
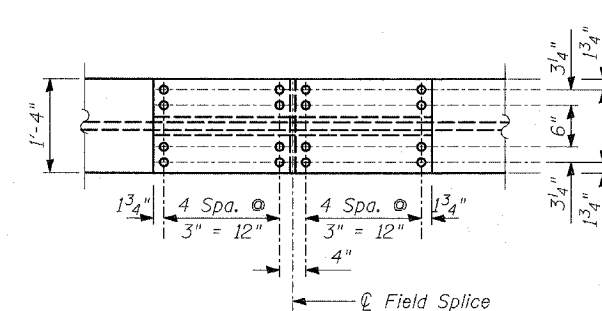
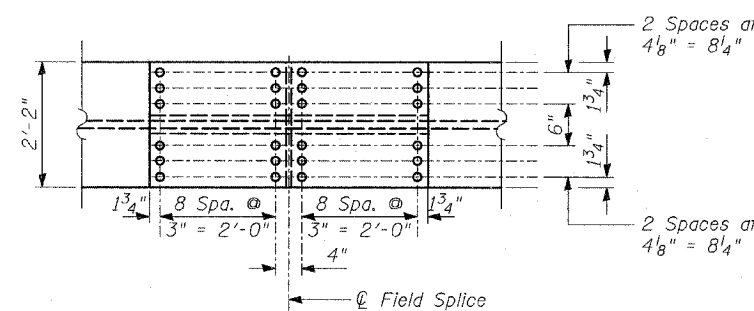
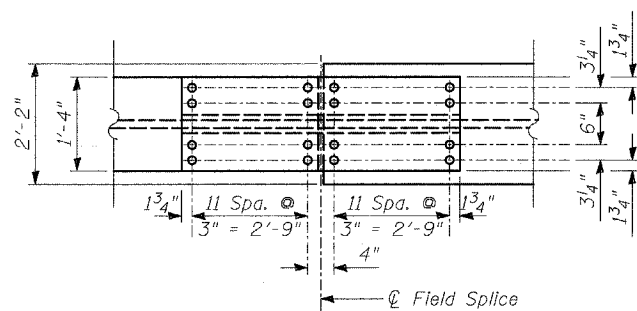
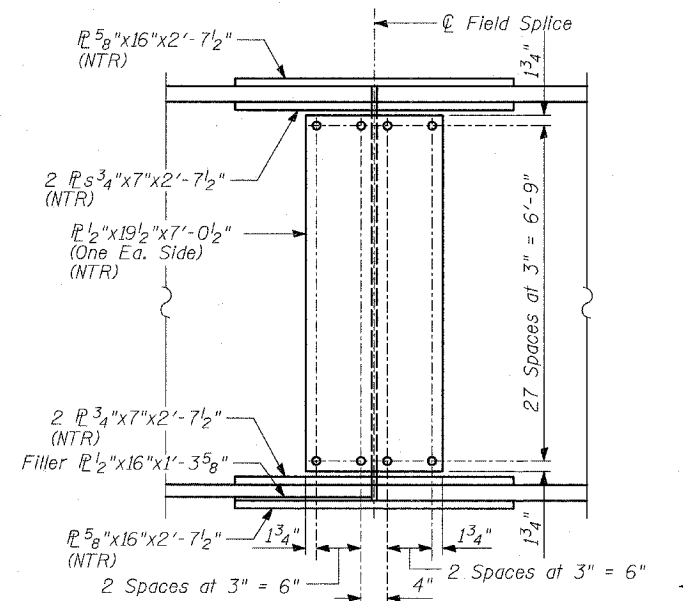
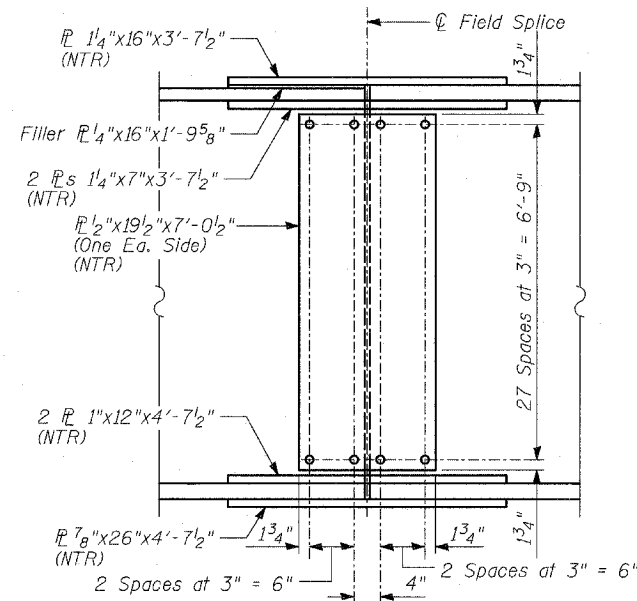
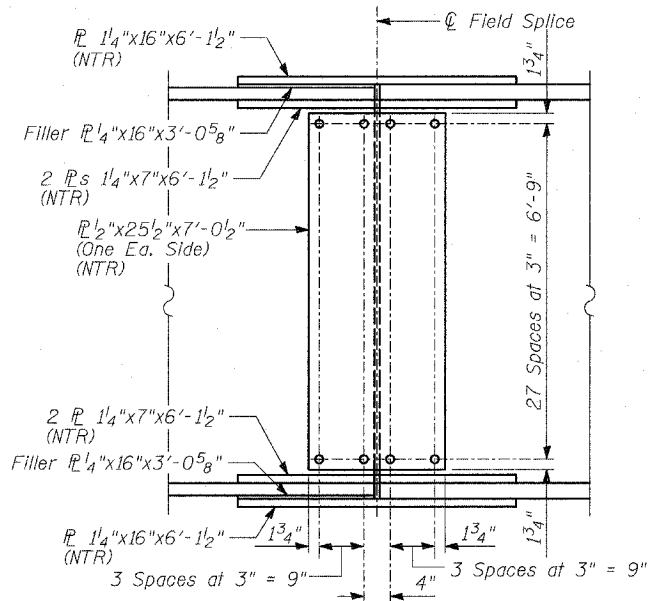
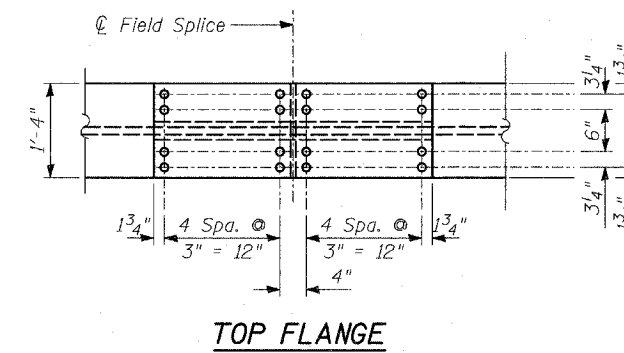
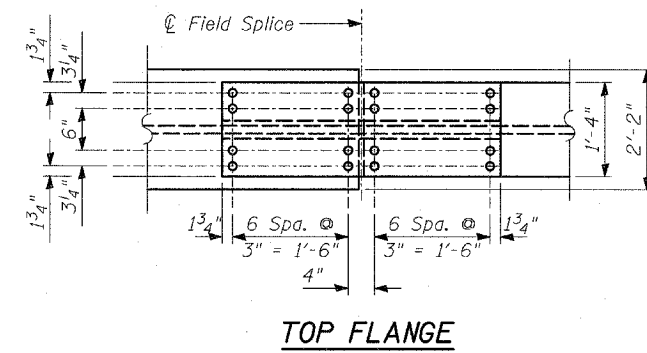
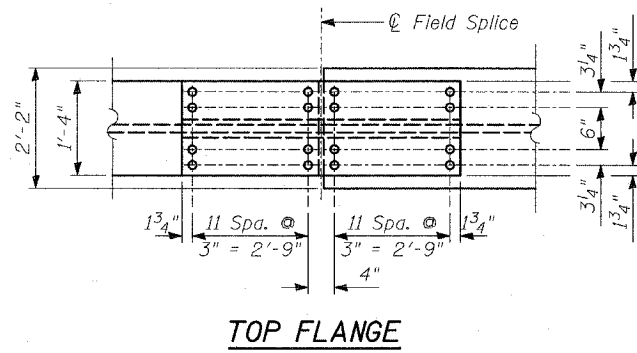
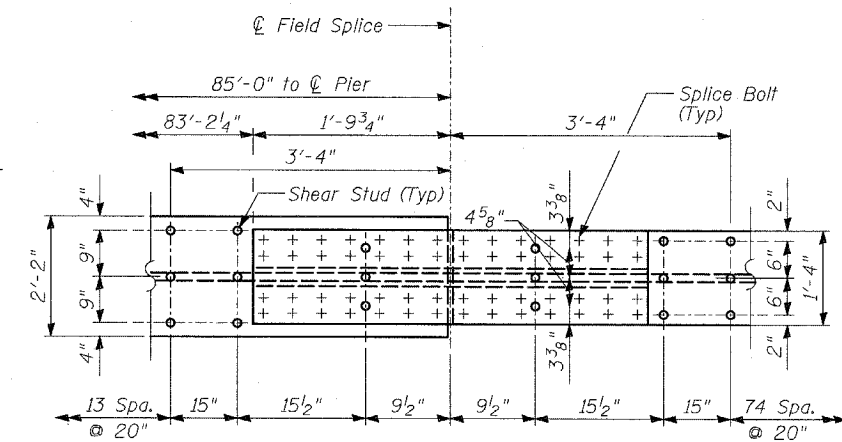


STATE OF ILLINOIS
DEPARTMENT OF TRANSPORTATION

ROUTE NO.	SECTION	COUNTY	TOTAL SHEETS	SHEET NO.	SHEET NO. - S-33
346	*	LAKE	23	21	S-66-SHEETS
FED. ROAD DIST. NO.		ILLINOIS	FED. AID PROJECT-		
125X-HB-1F		CONTRACT # 60E33			



"NOT IN CONTRACT"



"NOT IN CONTRACT"

FIELD SPLICE #2 & #5

FIELD SPLICE #3 & #4

FIELD SPLICE #1 & #6

FRAMING DETAILS III

FAP 346 (U.S. ROUTE 41 - SKOKIE
HIGHWAY) OVER ILLINOIS ROUTE 132
SECTION 125X-HB-(1&2)R-1
LAKE COUNTY
S.N. 049-0209

TYLIN INTERNATIONAL

DESIGNED	- MB
CHECKED	- AD
DRAWN	- MAF
CHECKED	- AD

NOTES:

- All bolts shall be 7/8" AASHTO M164/ASTM A325 with 15/16" holes unless noted.
- Load carrying components designated "NTR" shall conform to the Supplemental Requirements for Notch Toughness, Zone 2.