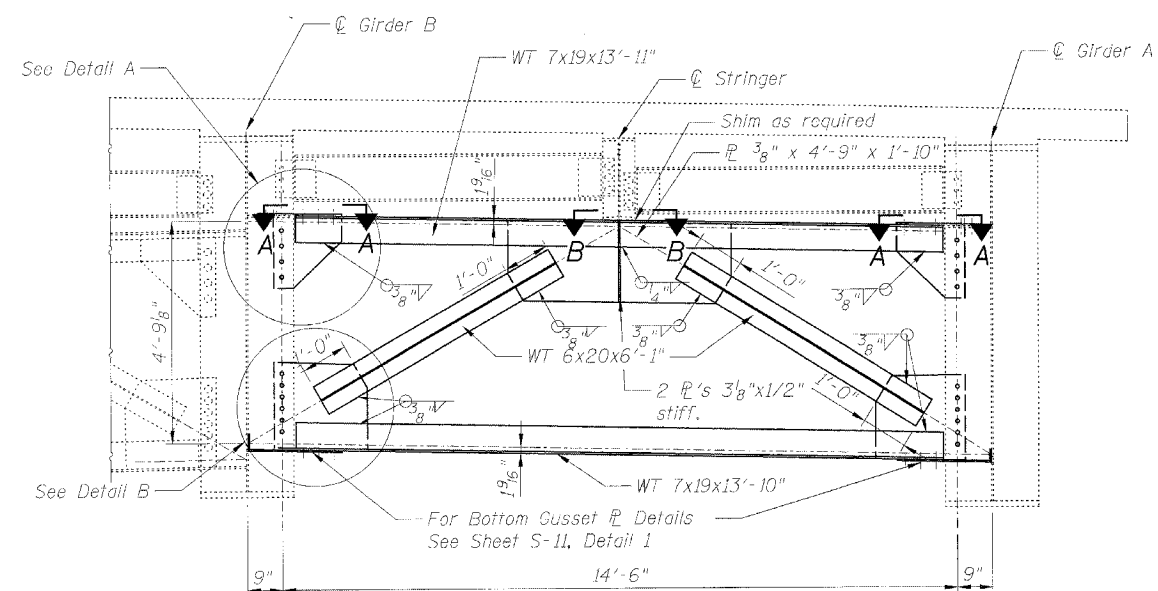


STATE OF ILLINOIS
DEPARTMENT OF TRANSPORTATION

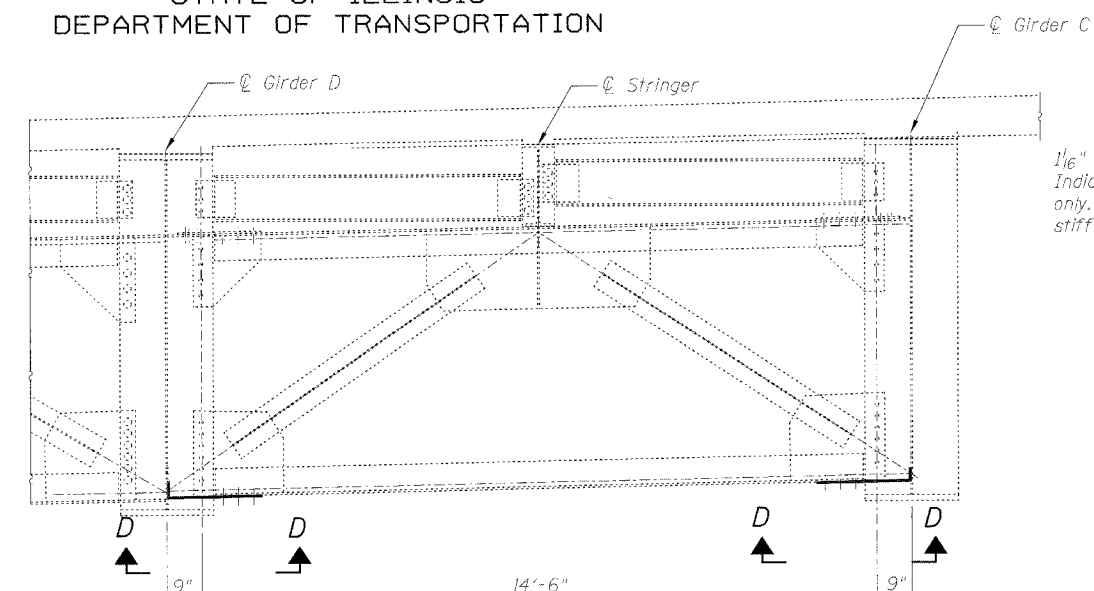
ROUTE NO.	SECTION	COUNTY	TOTAL SHEETS	SHEET NO.
FAU 2697	2008-018 BR	COOK	22	13
FED. ROAD DIST. NO. 7		ALIGNMENT	FED. AID PROJECT	

SHEET NO. S-10
S-16 SHEETS

Contract # 60E47

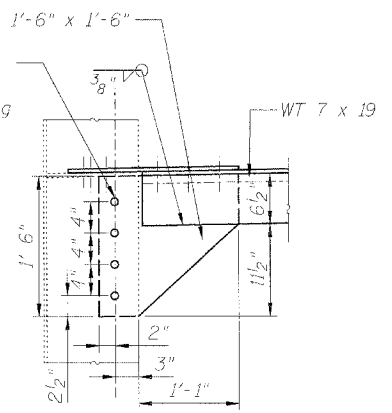


DETAIL 7
CROSS FRAME REPAIRS
Typical for: Girder A-B, S. Side Hinge #6

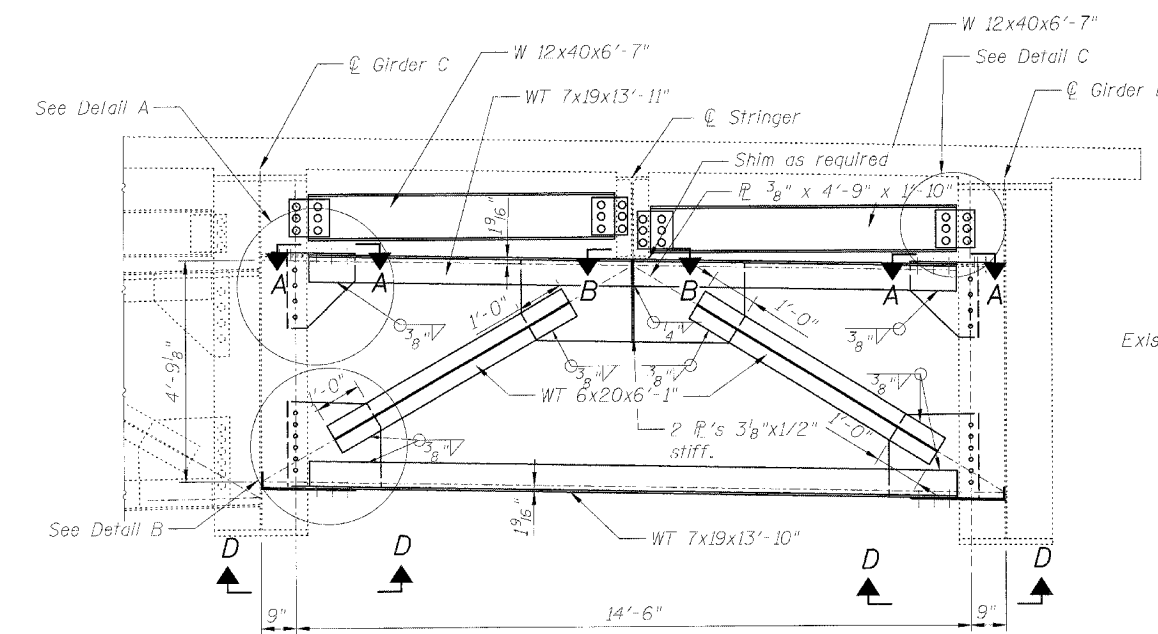


DETAIL 8
CROSS FRAME REPAIRS
Typical for: Girder C-D, N. Side Hinge #3
Girder C-D, S. Side Hinge #6

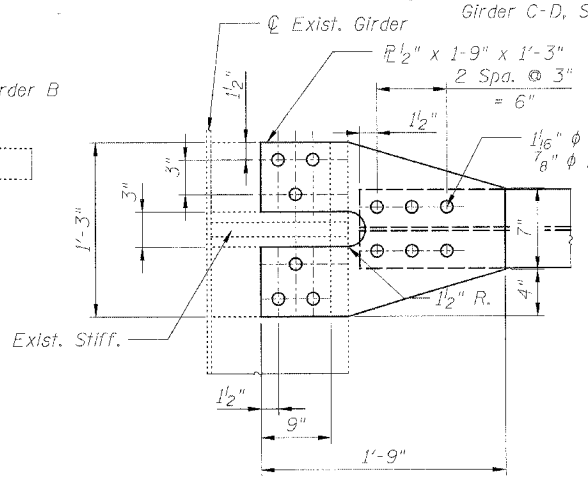
1/16" ϕ Holes for 7/8" ϕ H.S. Bolts.
Indicated Spacings are for information only. Field Drill Holes using holes in existing stiffener as template



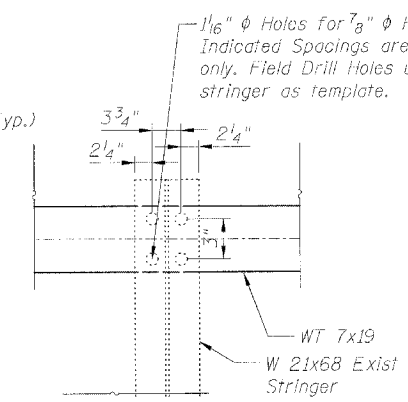
DETAIL A



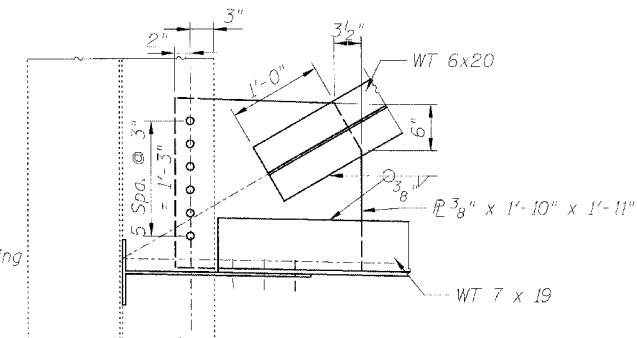
DETAIL 9
CROSS FRAME REPAIRS
Typical for: Girder B-C, S. Side Hinge #6



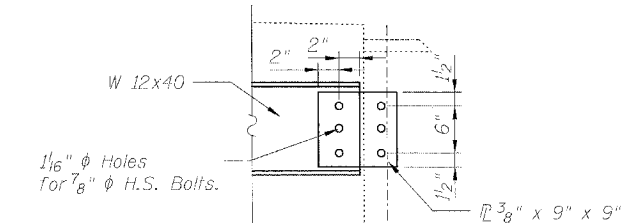
SECTION A-A



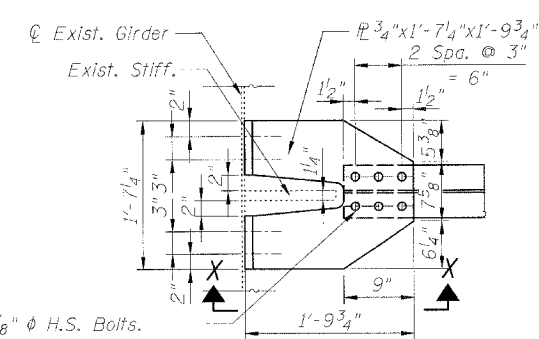
SECTION B-B



DETAIL B



DETAIL C



VIEW D-D

1/16" ϕ Holes for 7/8" ϕ H.S. Bolts.
Indicated Spacings are for information only. Field Drill Holes using holes in existing stringer as template.

DESIGNED	B. Sauter
CHECKED	E. Mroczek
DRAWN	R. Danley
CHECKED	B. Sauter

Ciorba Group, Inc.
CONSULTING ENGINEERS
5507 North Cumberland Avenue, Suite 402 Chicago, Illinois 60656
Tel. 773.775.4009 Fax 773.775.4014 Email chicago@ciorba.com

NOTES:

- Quantity for steel shown on sheet S-7.
- See Sheet S-12 for Section X-X.

STEEL REPAIRS IV
FAU 2697 WILLOW SPRINGS ROAD
OVER DES PLAINES RIVER,
CHICAGO SANITARY & SHIP CANAL,
ILLINOIS AND MICHIGAN CANAL,
AND ICG RAILROAD
COOK COUNTY
S.N. 016-0540

1/17/2008 4:17:20 PM C:\Users\B.Sauter\Desktop\Structure\CAD\Steel\Repairs\32291_30.10_Steel_Repairs_4.dwg