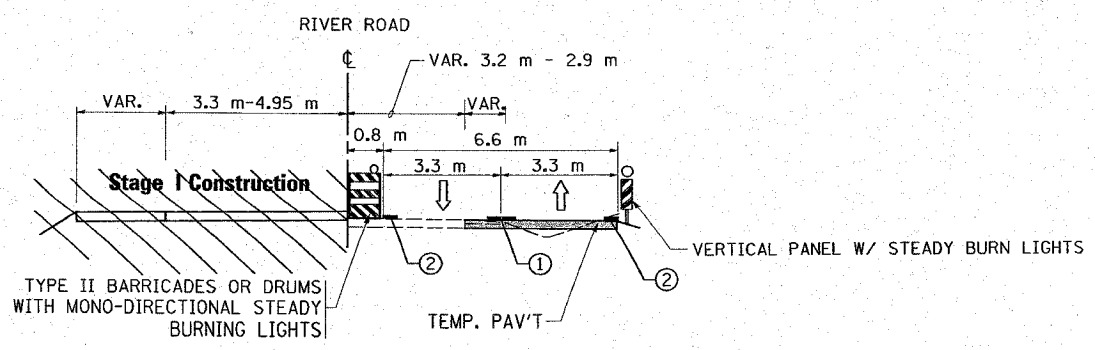
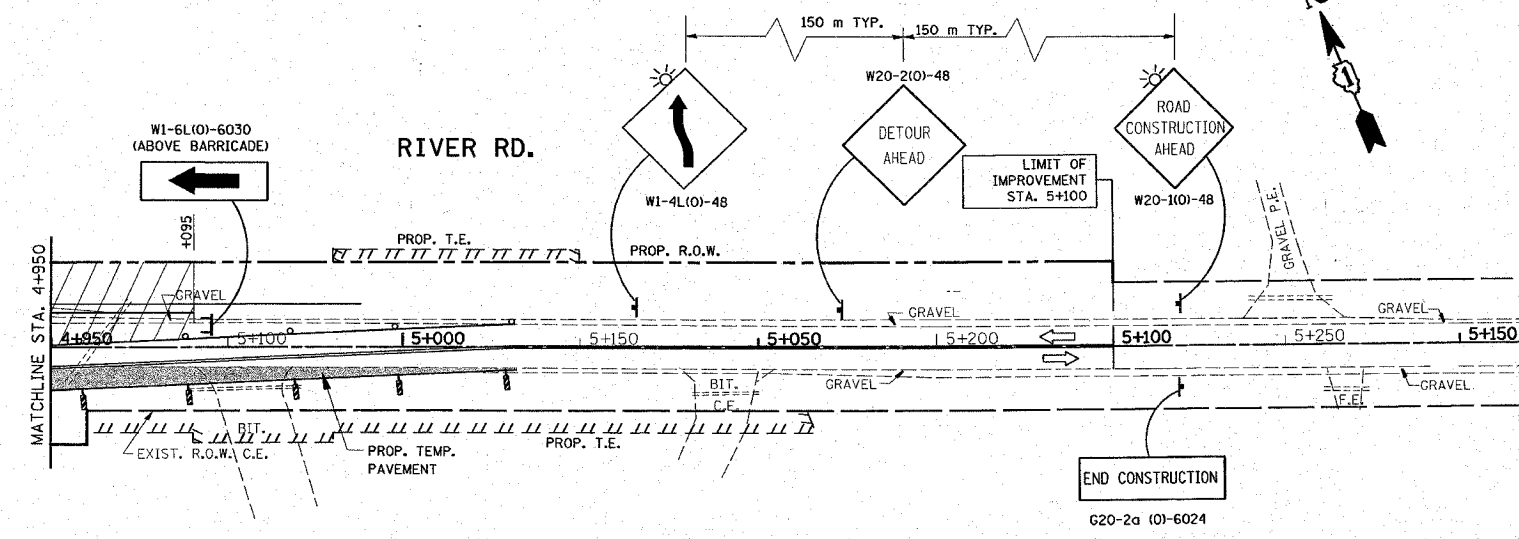
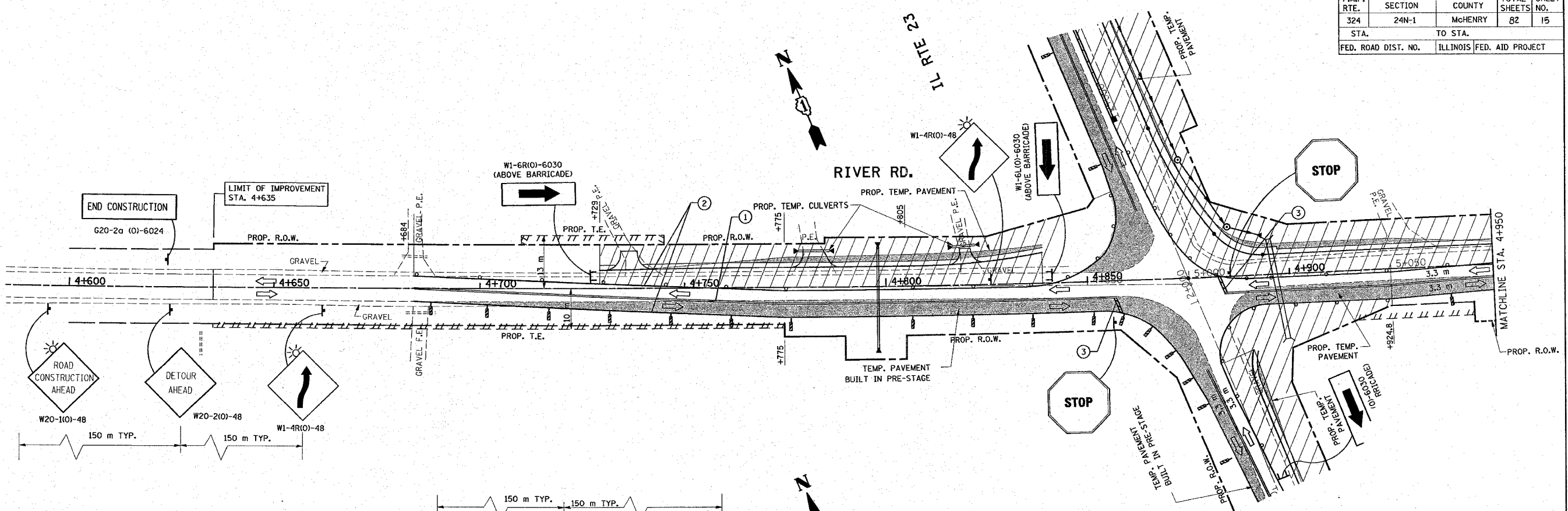


\*REF-pmk4  
\*REF-pmk5

CONTRACT# 62296

F.A.P. RTE.	SECTION	COUNTY	TOTAL SHEETS	SHEET NO.
324	24N-1	McHENRY	82	15
STA.	TO STA.			
FED. ROAD DIST. NO.	ILLINOIS	FED. AID PROJECT		



STAGE I CONSTRUCTION

LEGEND

- TEMP. PAVEMENT
- TEMP. CONCRETE BARRIER
- WORK AREA
- TYPE III BARRICADES
- SIGN
- VERTICAL PANEL W/ STEADY BURN LIGHTS
- TYPE II BARRICADES OR DRUMS WITH MONO-DIRECTIONAL STEADY BURNING LIGHTS
- DIRECTION OF TRAFFIC
- TEMPORARY PAVEMENT MARKING, DOUBLE YELLOW CENTER LINE 100 mm @ 275 mm C-C
- TEMPORARY PAVEMENT MARKING, WHITE SOLID (100 mm) EDGE LINE
- TEMPORARY PAVEMENT MARKING, WHITE SOLID (600 mm) STOP BAR
- PAVEMENT MARKING TAPE, TYPE III, 100 mm

REVISIONS	
NAME	DATE

ILLINOIS DEPARTMENT OF TRANSPORTATION

IL. RTE. 23 @ RIVER RD.  
SUGGESTED MAINTENANCE  
OF TRAFFIC PLANS  
STAGE I

SCALE: VERT. 1:500  
HORIZ. 1:500  
DATE 2/11/2008  
DRAWN BY  
CHECKED BY