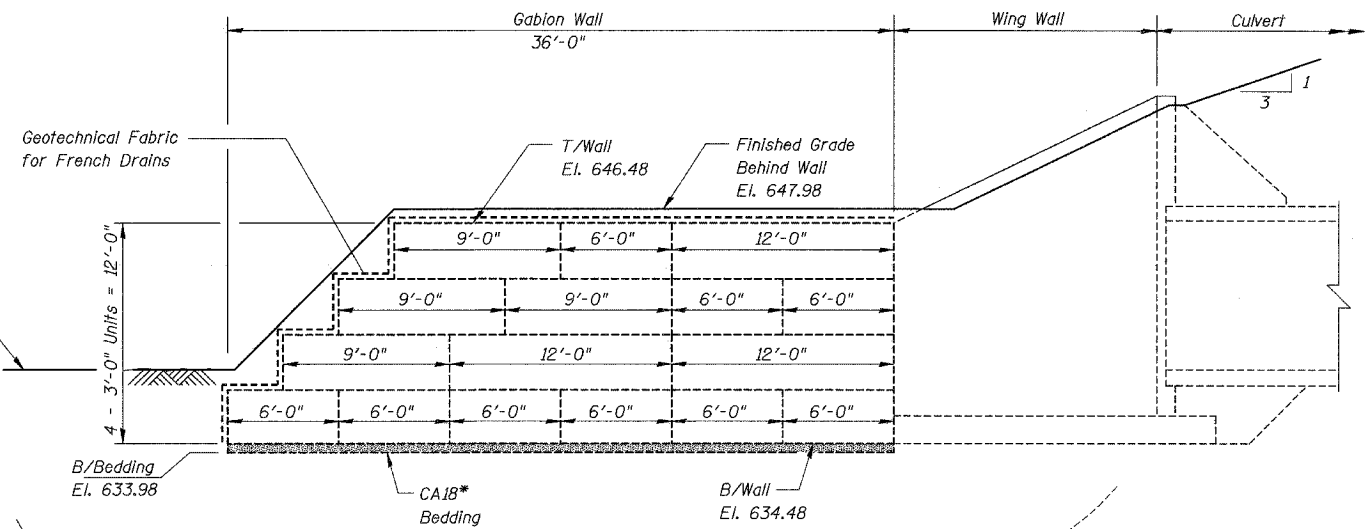
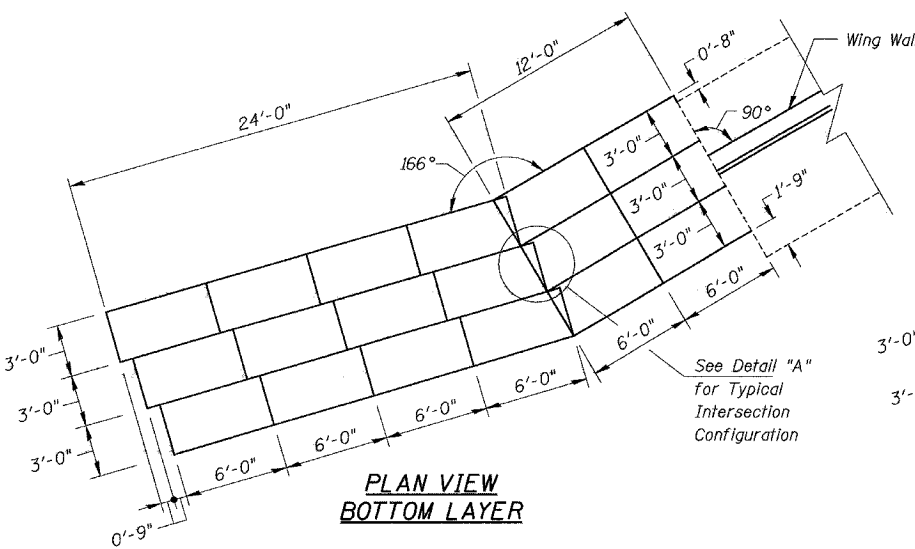


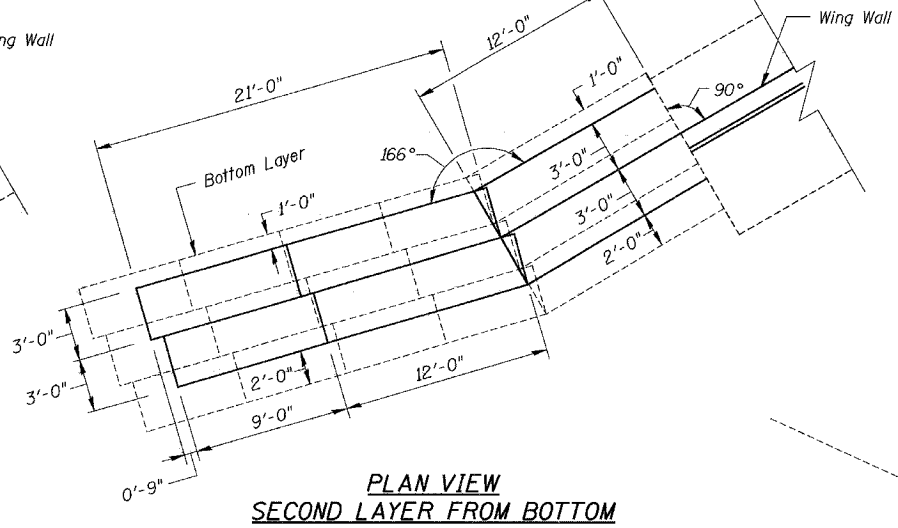
NORTH ELEVATION
(Looking South)
* Cost included with Gabions



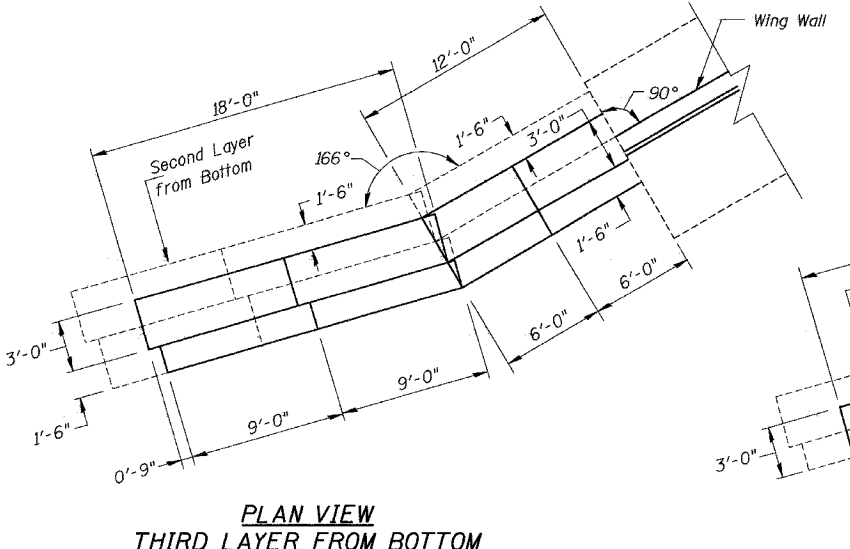
SOUTH ELEVATION
(Looking North)
* Cost included with Gabions



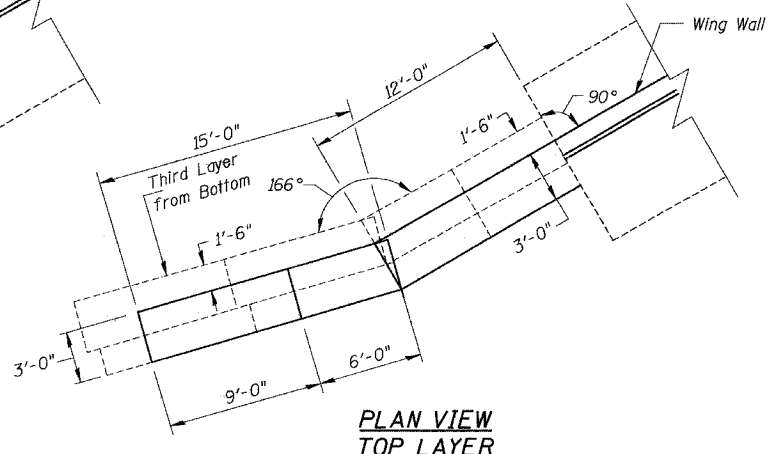
PLAN VIEW
BOTTOM LAYER



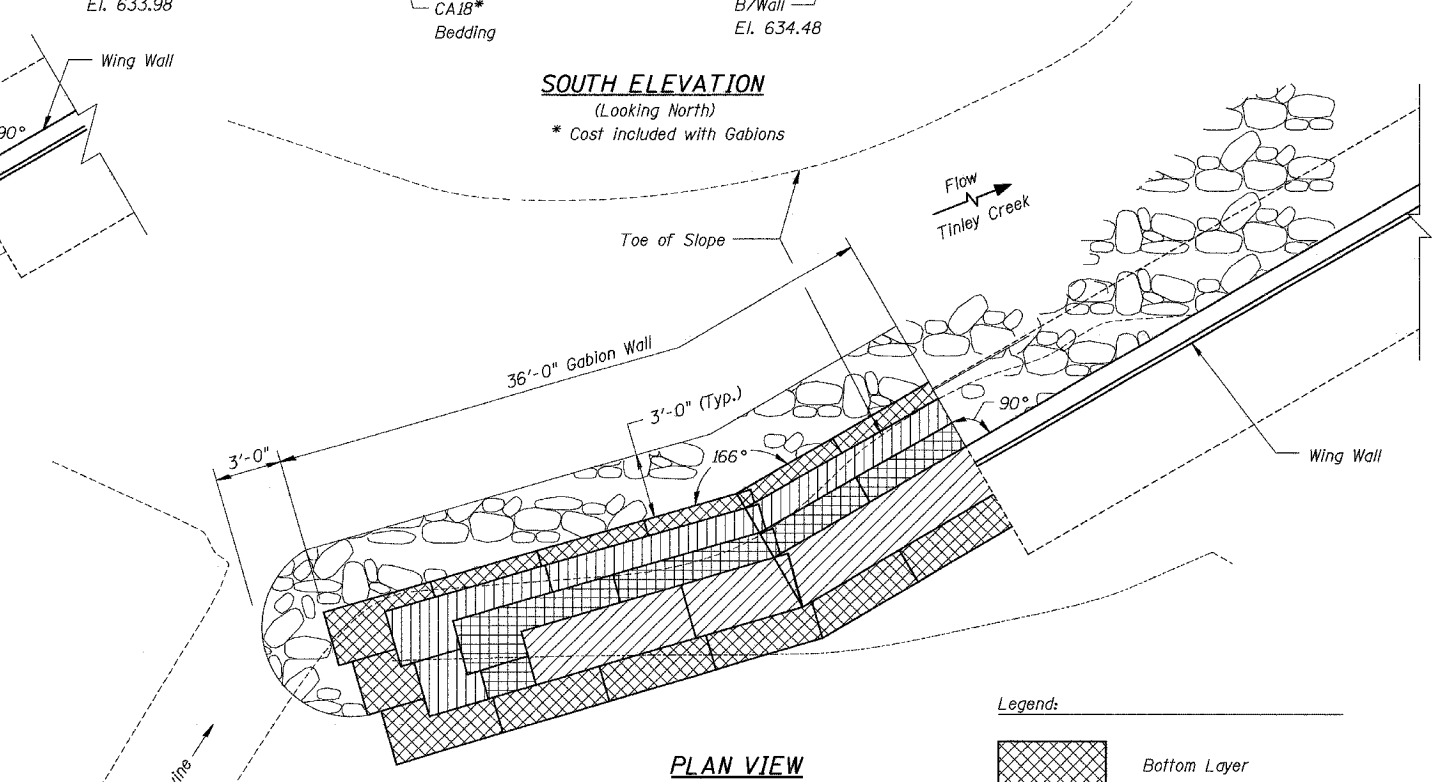
PLAN VIEW
SECOND LAYER FROM BOTTOM



PLAN VIEW
THIRD LAYER FROM BOTTOM



PLAN VIEW
TOP LAYER

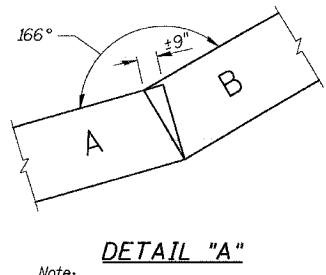


PLAN VIEW

Note:
Embankment and riprap that covers the gabion not shown in Plan View for clarity.

Legend:

	Bottom Layer
	2nd Layer From Bottom
	3rd Layer From Bottom
	Top Layer



DETAIL "A"
Note:
Contractor to fit the end of Basket A into the end of Basket B and rotate Basket A to obtain 166° angle.

COLLINS ENGINEERS, INC.
123 N. WACKER DR.
SUITE 300
CHICAGO, IL 60606
(312)704-9300
ILLINOIS PROFESSIONAL DESIGN FIRM
LICENSE NO. 184-000993

REVISIONS	
NAME	DATE

ILLINOIS DEPARTMENT OF TRANSPORTATION
HARLEM AVENUE (IL 43) OVER
TINLEY CREEK
FAP ROUTE 348 SECTION (1214 & 3127-1)RS-1
COOK COUNTY STATION 20+29
STRUCTURE NO. 016-2400
GABION DETAILS - I
DRAWN BY: KAC
CHECKED BY: PAS/DGS
DATE: JULY, 2003