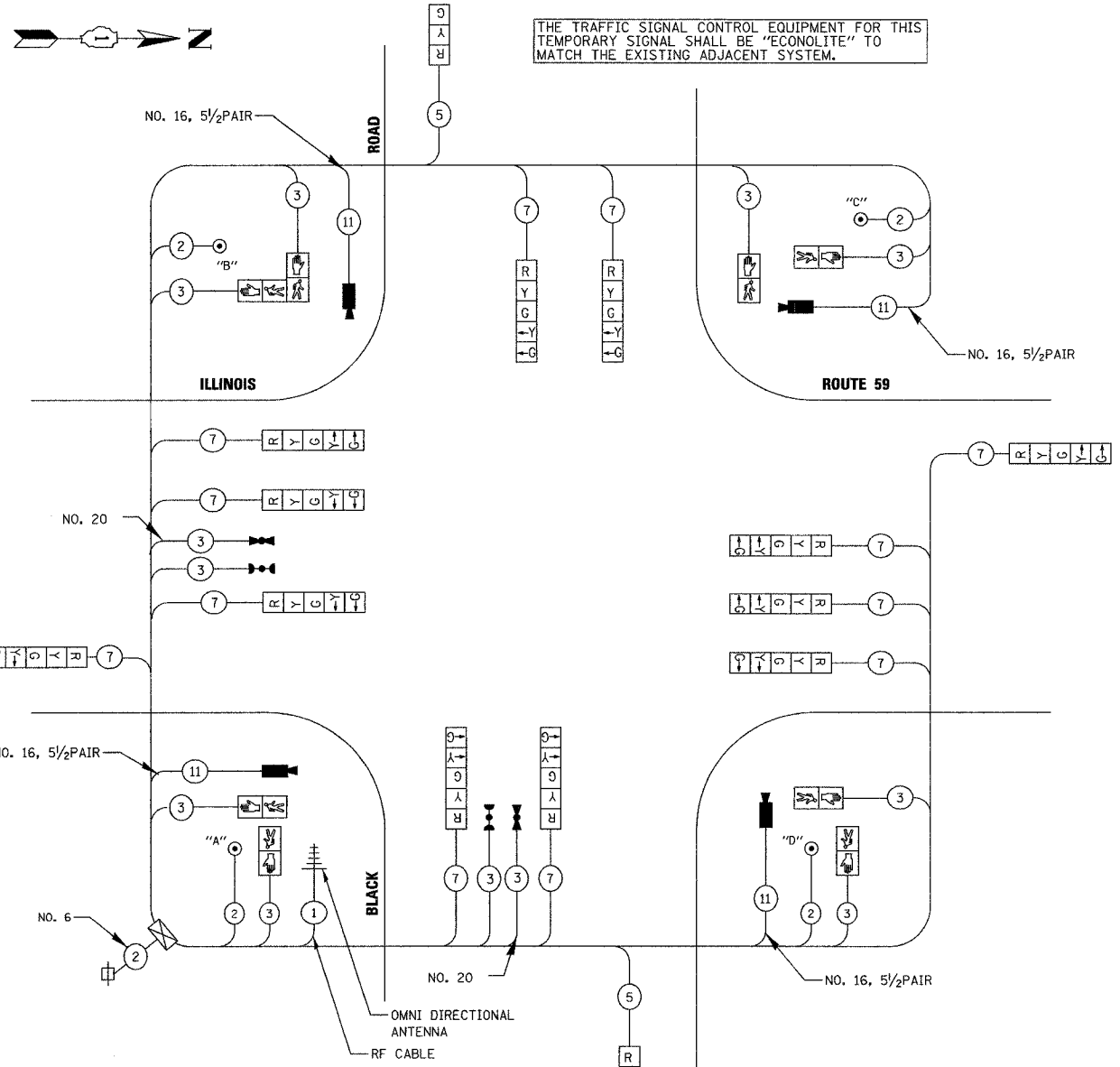


F.A.P. RTE.	SECTION	COUNTY	TOTAL SHEETS	SHEET NO.
338	114R-1	WILL	355	225
STA.	TO STA.			
FED. ROAD DIST. NO. 1 ILLINOIS FED. AID PROJECT				



TEMPORARY CABLE PLAN
NOT TO SCALE

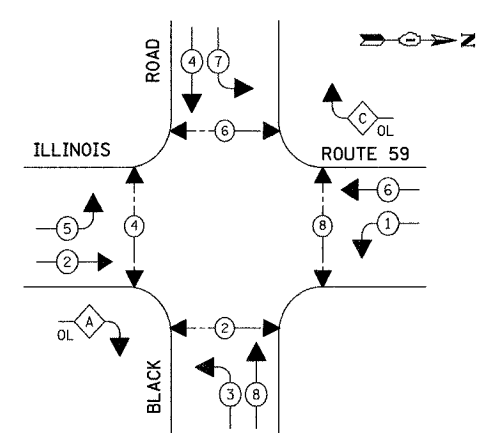
- NOTE:**
1. AN APPROVED IDOT SUBCONTRACTOR MUST INSTALL AND ADJUST VIDEO VEHICLE DETECTION SYSTEM AS REQUIRED BY STAGE/ PHASE CHANGES. ADJUSTMENT WILL BE REQUIRED BETWEEN PRIMARY AND SECONDARY.
 2. RIGHT-TURN OVERLAP ARROW SECTIONS SHALL BE BAGGED UNTIL RIGHT TURN LANES ARE OPEN TO TRAFFIC.

TEMPORARY CABLE DIAGRAM LEGEND

- [R] TEMPORARY TRAFFIC SIGNAL SECTION OR PEDESTRIAN SIGNAL SECTION, 12" (300mm)
- [X] TEMPORARY CONTROLLER CABINET
- [S] TEMPORARY SERVICE INSTALLATION
- (5) INDICATES NUMBER OF CONDUCTORS IN CABLE. ALL CONDUCTORS TO BE NUMBER 14 AWG WIRE UNLESS OTHERWISE NOTED.
- [E] EMERGENCY VEHICLE LIGHT DETECTOR
- [B] CONFIRMATION BEACON
- [V] VIDEO DETECTION CAMERA
- (C) COAXIAL CABLE
- [A] TEMPORARY RADIO INTERCONNECT ANTENNA

NOTE:
PUSH BUTTON "A" SHALL PLACE A CALL IN PHASES 2 AND 4
PUSH BUTTON "B" SHALL PLACE A CALL IN PHASES 4 AND 6
PUSH BUTTON "C" SHALL PLACE A CALL IN PHASES 6 AND 8
PUSH BUTTON "D" SHALL PLACE A CALL IN PHASES 2 AND 8

TEMPORARY CONTROLLER SEQUENCE



LEGEND

OL	OVERLAP LETTER	PERMISSIVE PHASE	PROTECTED PHASE
A	=	6	3
C	=	6 + 7	

* NUMBER REFERS TO ASSOCIATED PHASE

TEMPORARY PHASE DESIGNATION DIAGRAM

NOTE: OVERLAPS "A" AND "C" SHALL BE INACTIVE UNTIL NB AND SB RIGHT TURN LANES ARE OPENED TO TRAFFIC.

TYPE	NO. LAMPS	WATTAGE INCAND.	LED X % OPERATION	TOTAL WATTAGE	
SIGNAL (RED)	14	135	17	0.50	119
(YELLOW)	14	135	25	0.25	87.5
(GREEN)	14	135	15	0.25	52.5
ARROW	24	135	12	0.10	28.8
PED. SIGNAL	8	90	25	1.00	200
CONTROLLER	1	100	100	1.00	100
ILLUM. SIGN		84	64	0.05	
FLASHER			0.50		
ENERGY COSTS TO:			TOTAL =		587.8

ILLINOIS DEPARTMENT OF TRANSPORTATION
DIVISION OF HIGHWAY/DISTRICT 1
201 WEST CENTER COURT/SCHAUMBURG, ILLINOIS 60196-1096
ENERGY SUPPLY CONTACT: JUDY MILLER
PHONE: 815-724-5717
COMPANY: COMMONWEALTH EDISON

REVISIONS	
NAME	DATE
REVISED IL59 ALIGN.	12/22/06

ILLINOIS DEPARTMENT OF TRANSPORTATION
TEMPORARY TRAFFIC SIGNAL CABLE PLAN AND PHASE DESIGNATION DIAGRAM
ILLINOIS ROUTE 59 AT BLACK ROAD

SCALE: NONE
DATE 3/18/08

DRAWN BY: BAR
DESIGNED BY: FA
CHECKED BY: KMM