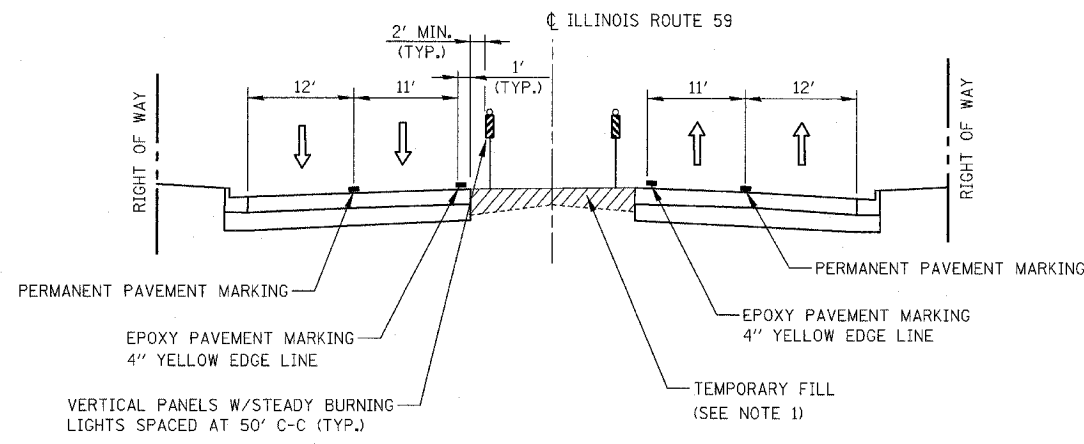
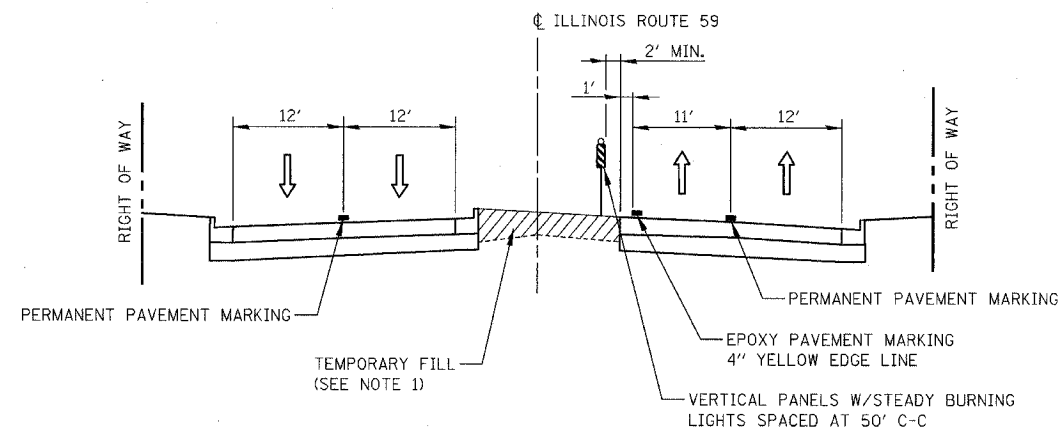


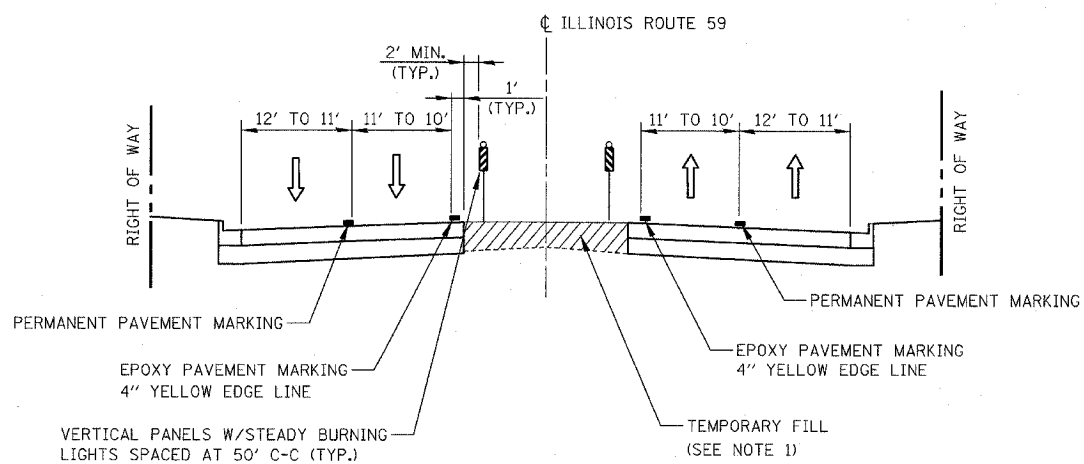
FILE NO.	SECTION	COUNTY	TOWNSHIP	SHEET NO.
338	(113 & 114) R-5	WILL	525	75
STA.	TO STA.			
FED. ROAD DIST. NO.	ILLINOIS	FAP 338 (IL RTE. 59)		



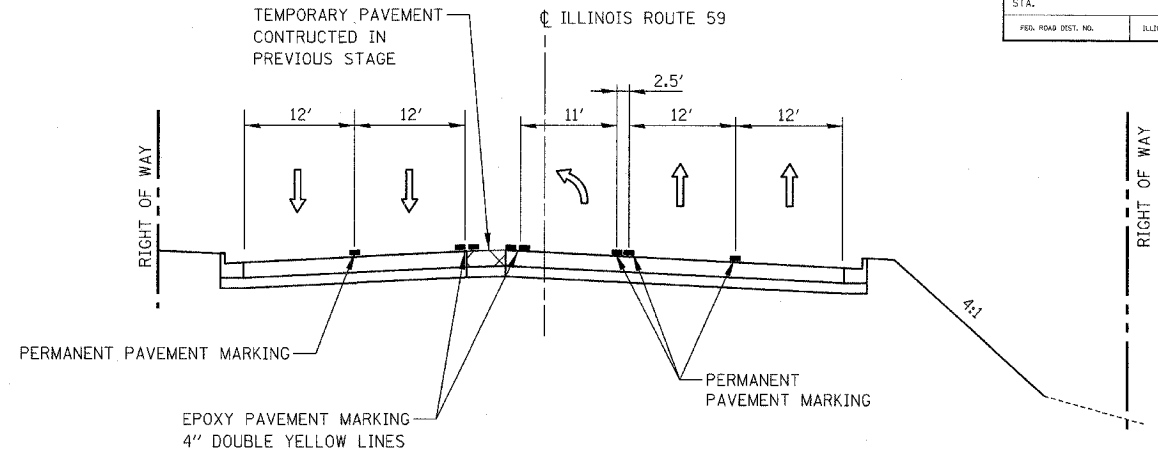
WINTER SHUTDOWN
STA 3193+25 TO STA 3213+60
 (EXCEPT AT NB AND SB LEFT TURN LANE LOCATIONS)



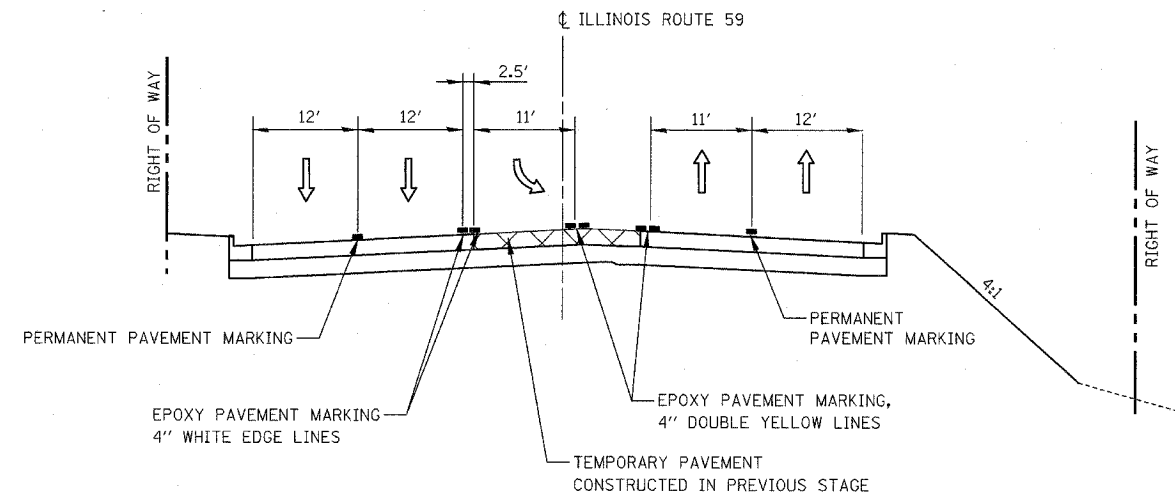
WINTER SHUTDOWN
STA 3213+60 TO STA 3302+50
 (EXCEPT AT NB AND SB LEFT TURN LANE LOCATIONS)



WINTER SHUTDOWN
STA 3302+50 TO UNION STREET
 (EXCEPT AT NB LEFT TURN LANE LOCATIONS)



WINTER SHUTDOWN
AT NB LEFT TURN LOCATIONS
 STA 3244+50 TO STA 3246+80 (DAYFIELD DRIVE)
 STA 3252+70 TO STA 3255+80 (WEDGEWOOD COURT)
 STA 3264+00 TO STA 3266+45 (FRASER ROAD)
 STA 3276+75 TO STA 3279+20 (COMMERCIAL ENTRANCE)
 STA 3290+30 TO STA 3293+00 (RENWICK ROAD)
 STA 3317+35 TO STA 3319+60 (FORT BEGGS DRIVE)



WINTER SHUTDOWN
AT SB LEFT TURN LOCATIONS
 STA 3200+50 TO STA 3203+10 (RIVERWALK DRIVE)
 STA 3220+90 TO STA 3223+25 (ROLF ROAD)
 STA 3247+75 TO STA 3250+90 (DAYFIELD DRIVE)
 STA 3267+55 TO STA 3270+05 (FEENEY DRIVE)
 STA 3286+05 TO STA 3288+55 (COMMERCIAL ENTRANCE)
 STA 3294+00 TO STA 3299+45 (RENWICK ROAD)
 STA 3315+20 TO STA 3316+40 (ROBERTS AVENUE)

NOTES

1. PLACEMENT OF TEMPORARY FILL WILL BE PAID FOR AS FURNISHED EXCAVATION. REMOVAL OF TEMPORARY FILL WILL BE PAID FOR AT THE CONTRACT UNIT PRICE FOR EARTH EXCAVATION.

REVISIONS	
NAME	DATE
ADDENDUM B	05-27-08

ILLINOIS DEPARTMENT OF TRANSPORTATION
 DISTRICT NO. 1 SCHAUMBURG
 MAINTENANCE OF TRAFFIC
 TYPICAL SECTIONS
 WINTER SHUTDOWN

SCALE NOT TO SCALE
 DATE MARCH 18, 2008
 DRAWN BY REW
 CHECKED BY HME