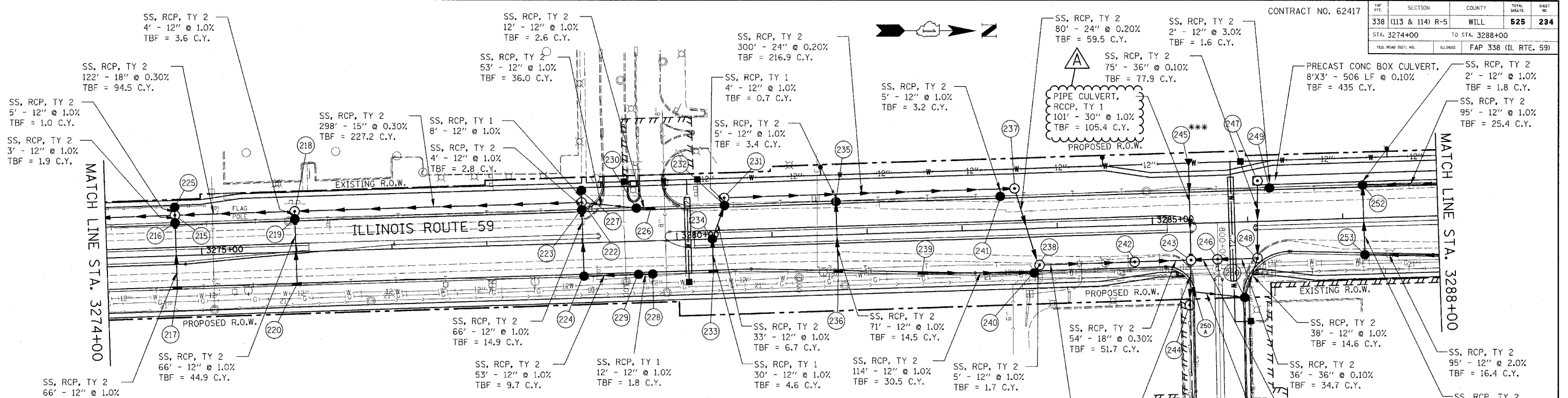


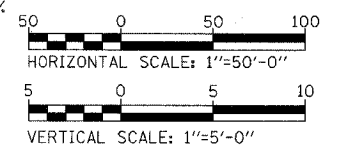
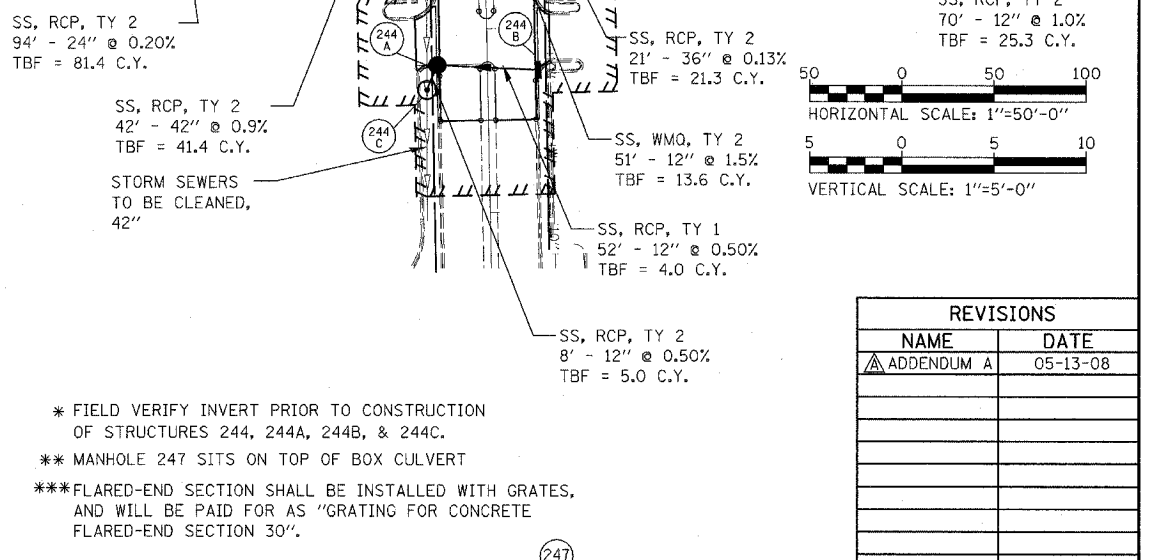
CONTRACT NO. 62417

SECTION	COUNTY	TOTAL SHEETS	SHEET NO.
338 (113 & 114) R-5	WILL	525	234
STA. 3274+00 TO STA. 3288+00		FAP 338 (IL RTE. 59)	



STRUCTURE TABLE

NO.	STATION	OFFSET	TYPE	FRAME	RIM	N. INV.	S. INV.	E. INV.	W. INV.	NO.	STATION	OFFSET	TYPE	FRAME	RIM	N. INV.	S. INV.	E. INV.	W. INV.
215	3274+73	43' LT	MH-A5	T1-CL	605.50	599.69	599.69	601.16	599.69	237	3283+56	43' LT	MH-A5	T1-CL	607.60	601.56	601.76		
216	3274+73	35' LT	CB-A4	T-24	606.47			601.19	601.19	238	3283+80	39' RT	MH-A5	T1-CL	608.41	601.22		602.03	601.42
217	3274+73	34' RT	IN-A	T-24	606.47				601.85	239	3282+57	43' RT	IN-A	T-24	607.70	603.22			
218	3275+99	43' LT	MH-A4	T1-CL	606.60	600.74	600.06	603.00		240	3283+74	47' RT	CB-A4	T-24	608.12		602.08		602.08
219	3275+99	35' LT	CB-A4	T-24	607.04			603.04	603.04	241	3283+41	35' LT	CB-A4	T-24	608.28				602.34
220	3275+99	34' RT	IN-A	T-24	607.04				603.70	242	3284+80	39' RT	MH-A6 R-PLT	2-T1-CL	608.80	600.83	601.03		
221	NOT USED									243	3285+40	39' RT	MH-A7	T1-CL	608.79	600.58	600.67	600.58	600.70
222	3279+01	43' LT	MH-A4	T1-CL	606.60	601.83	601.63	601.81	601.63	244	800+87	31' RT	MH-A6	T1-CL	606.95		*600.00		600.20
223	3279+01	35' LT	CB-A4	T-24	606.98			601.85	601.85	244A	802+19	28' RT	CB-A4	T-23	602.84			600.09	600.09
224	3279+01	35' RT	CB-A4	T-24	606.98	602.51			602.51	244B	802+23	27' LT	IN-A	T-23	602.80				600.35
225	3274+73	51.5' LT	CB-C	T-8	602.90			599.74		244C	802+32	34' RT	MH-A6	T1-CL	603.60	600.05	599.63	*	599.63
226	3279+73	34' LT	IN-A	T-24	606.89		602.48			***245	3285+40	68' LT	FES-30	N/A	N/A				
227	3279+01	55.5' LT	CB-C	T-8	603.30			601.67		246	3285+67	39' RT	MH-A6 R-PLT	2-T1-CL	608.72	600.61	600.61		
228	3279+73	35' RT	CB-A4	T-21	606.89		603.16			**247	3286+12	43' LT	MH-A4	T1-CL	608.30	600.72		600.72	
229	3279+58	35' RT	CB-A4	T-21	606.88	603.04	603.04			248	3286+09	39' RT	MH-A7	T1-CL	608.55		600.65	601.65	600.65
230	3279+58	35' LT	CB-A4	T-24	606.88	602.36	602.36			249	3286+24	35' LT	CB-A4	T-24	608.48				601.76
231	3280+51	43' LT	MH-A4	T1-CL	606.60	602.36		603.04		250	800+80	27' LT	CB-A4	T-24	606.75		602.03		602.03
232	3280+51	35' LT	CB-A4	T-24	607.12			603.08	603.08	250A	800+73	26' RT	IN-A	T-24	607.15	602.79			
233	3280+37	34' RT	IN-A	T-24	607.07			603.71		251	NOT USED								
234	3280+37	0' RT	CB-A4	T-8	607.80			603.41	603.41	252	3287+22	35' LT	CB-A4	T-24	608.08	602.10		601.83	601.83
235	3281+68	35' LT	CB-A4	T-24	607.59			602.64	602.64	253	3287+22	39' RT	CB-A4	T-24	607.94	602.80			602.53
236	3281+68	38.7' RT	IN-A	T-24	607.48			603.33											



REVISIONS

NAME	DATE
ADDENDUM A	05-13-08

* FIELD VERIFY INVERT PRIOR TO CONSTRUCTION OF STRUCTURES 244, 244A, 244B, & 244C.
 ** MANHOLE 247 SITS ON TOP OF BOX CULVERT
 *** FLARED-END SECTION SHALL BE INSTALLED WITH GRATES, AND WILL BE PAID FOR AS "GRATING FOR CONCRETE FLARED-END SECTION 30".

PLAN
 SURVEYED
 PLOTTED
 ALIGNED
 CHECKED
 NOTE BOOK NO.
 DATE

PROFILE
 SURVEYED
 PLOTTED
 GRADES CHECKED
 STRUCTURE NOTATIONS CHECKED
 NOTE BOOK NO.
 DATE