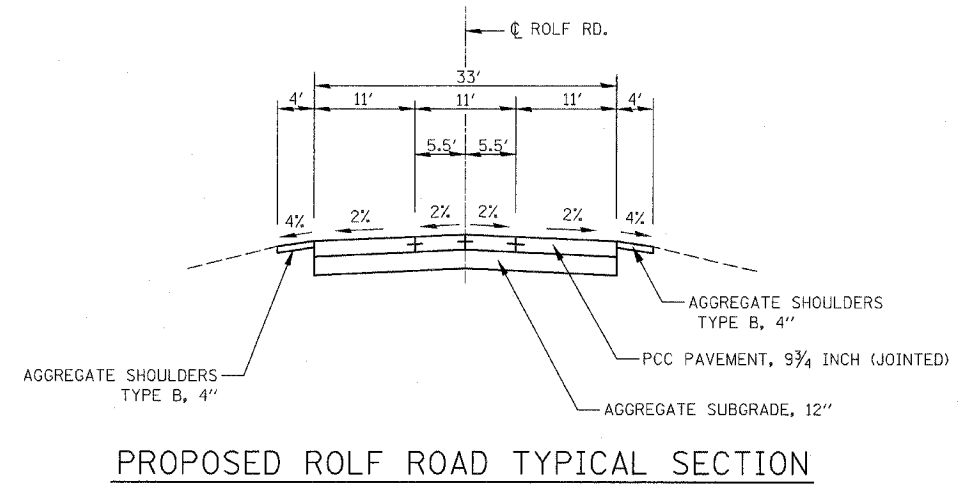
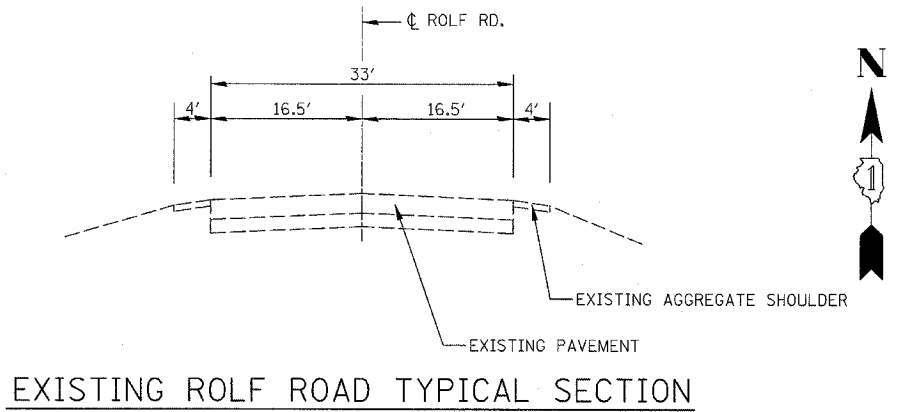
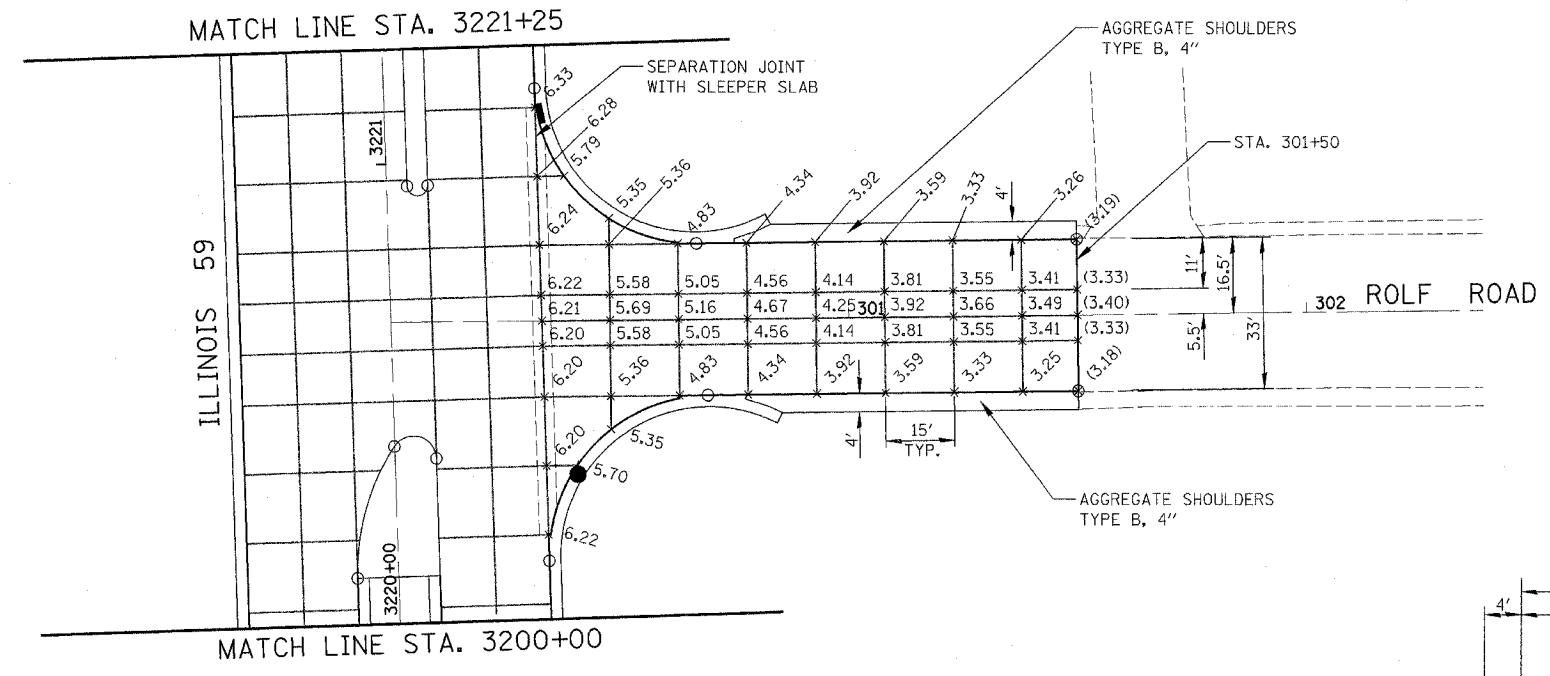
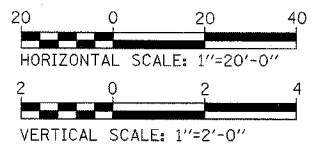


FAP DIST.	SECTION	COUNTY	TOTAL SHEETS	SHEET NO.
338	(113 & 114) R-5	WILL	525	218
STA.	TO STA.			
FED. ROAD DIST. NO.	ILLINOIS	FAP 338 (IL RTE. 59)		



**NOTE:**  
SEPERATION JOINT WITH SLEEPER SLAB SHALL BE CONSTRUCTED IN ACCORDANCE WITH IDOT DISTRICT 1 DETAIL BD-52.



PLAN	SURVEYED	DATE
NOTE BOOK NO.	BY	
	CHECKED	
	BY	
	DATE	

PROFILE	SURVEYED	DATE
NOTE BOOK NO.	BY	
	CHECKED	
	BY	
	DATE	

