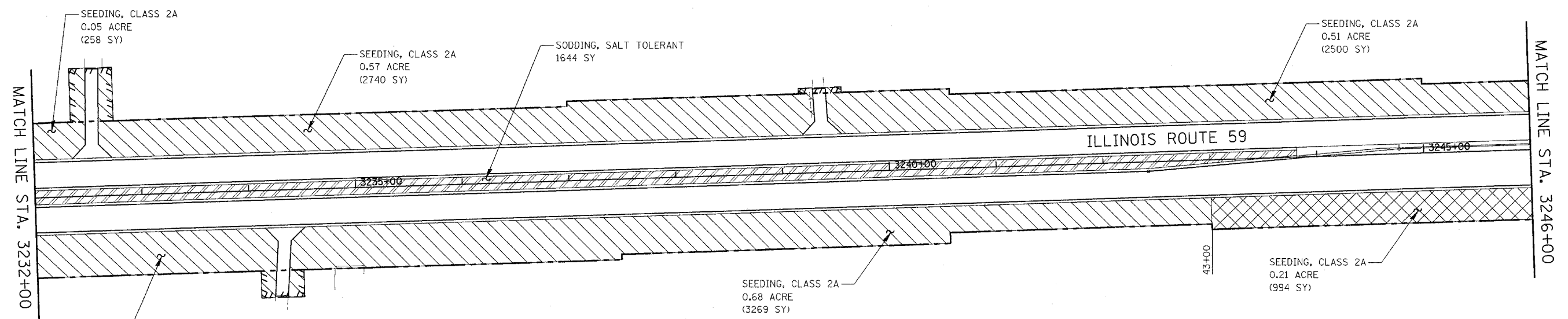
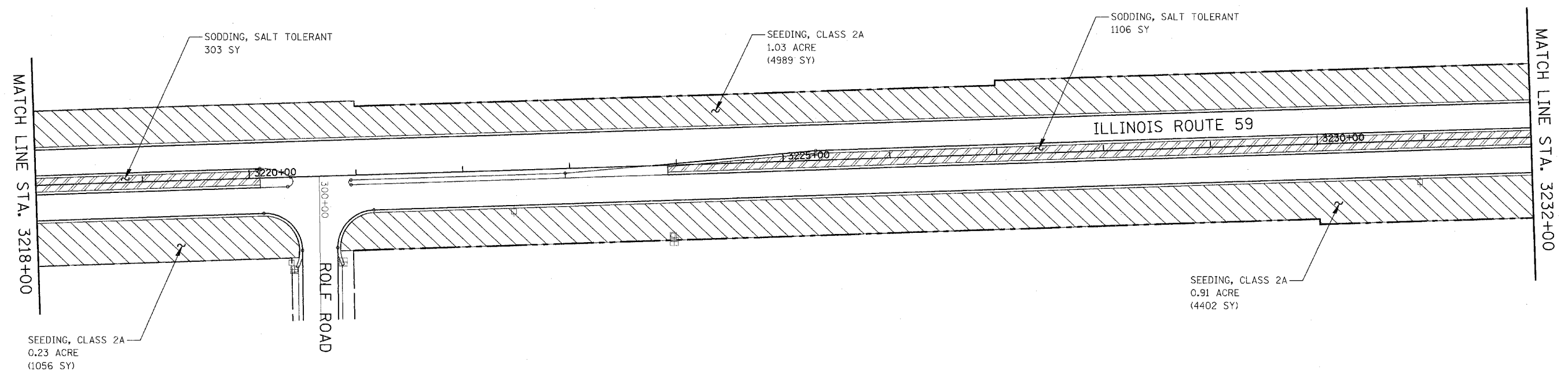


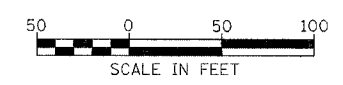
CONTRACT NO. 62417

PROJECT NO.	SECTION	COUNTY	TOTAL SHEETS	SHEET NO.
338 (113 & 114) R-5	WILL		525	363
STA. 3218+00	TO STA. 3246+00			
FED. ROAD DIST. NO.	ILLINOIS	FAP 338 (IL RTE. 59)		



**LEGEND**

- SODDING, SALT TOLERANT AND TOPSOIL FURNISH AND PLACE, 12"
- SEEDING, CLASS 2A AND TOPSOIL FURNISH AND PLACE, 8" EROSION CONTROL BLANKET
- SODDING, SALT TOLERANT AND TOPSOIL FURNISH AND PLACE, 8"
- SEEDING, CLASS 2A AND TOPSOIL FURNISH AND PLACE, 4" EROSION CONTROL BLANKET



ILLINOIS DEPARTMENT OF TRANSPORTATION  
DISTRICT NO. 1 SCHAUMBURG

**LANDSCAPE PLANS**

SCALE AS SHOWN  
DATE MARCH 18, 2008

DRAWN BY JRS  
CHECKED BY JCM/HME