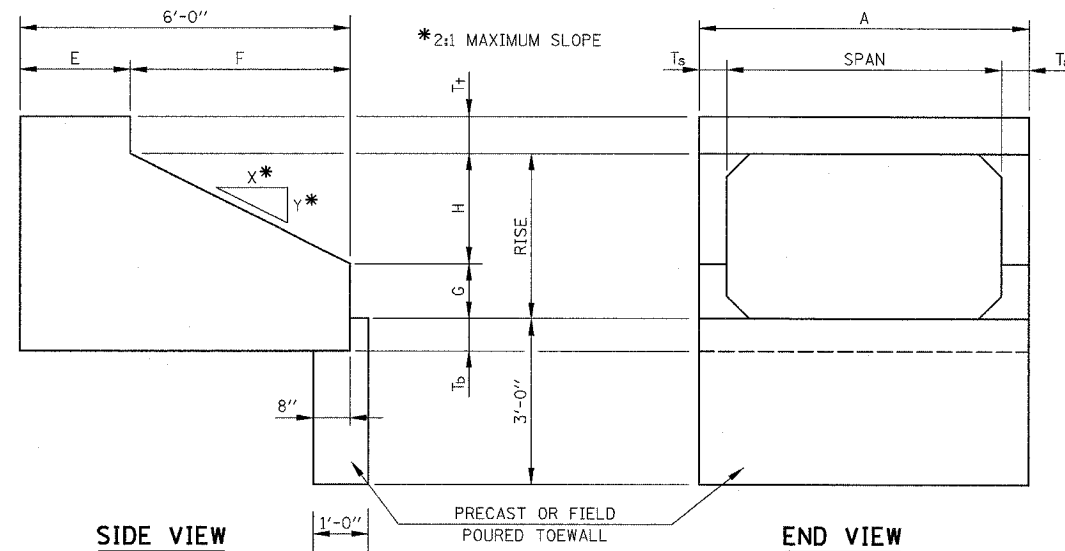


FAP NO.	SECTION	COUNTY	TOTAL SHEETS	SHEET NO.
338	(113 & 114) R-5	WILL	525	392
STA.	TO STA.			
FED. ROAD DIST. NO.	ILLINOIS	FAP 338 (IL RTE. 59)		

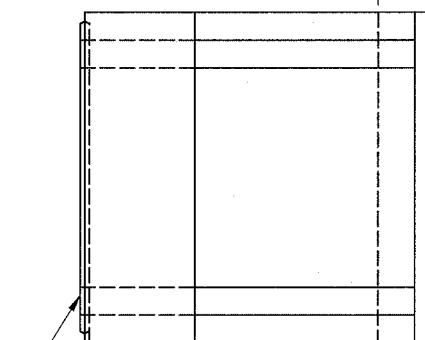
GENERAL NOTES

- PRECAST CONCRETE BOX CULVERT AND PRECAST CONCRETE BOX CULVERT END SECTIONS**
1. THIS WORK SHALL CONSISTS OF FURNISHING AND INSTALLING PRECAST BOX CULVERTS AND BOX CULVERT END SECTIONS AS SHOWN ON THE PLANS.
 2. CONSTRUCTION OF PRECAST BOX CULVERTS AND BOX CULVERT END SECTIONS SHALL CONFORM TO ALL APPLICABLE REQUIREMENTS OF SECTION 540 OF THE STANDARD SPECIFICATIONS AND AS SPECIFIED HEREIN.
 3. THE PRECAST CONCRETE BOX CULVERT SECTIONS SHALL CONFORM TO THE REQUIREMENTS OF ASTM C1433 EXCEPT THAT THE AGGREGATE SHALL CONFORM TO THE REQUIREMENTS OF ARTICLES 1003.02 AND 1004.02 OF THE STANDARD SPECIFICATIONS.
 4. JOINTS SHALL BE SEALED ACCORDING TO ARTICLE 540.06 OF THE STANDARD SPECIFICATIONS. THE MASTIC JOINT SEALER SHALL BE SPREAD A MINIMUM OF 1 FOOT WIDE ON EACH SIDE OF THE TOP AND SIDE JOINTS BEFORE PLACING THE EXTERNAL SEALING BANDS OR NONWOVEN GEOTECHNICAL FABRIC. THE COST WILL BE INCLUDED IN THE COST OF THE PRECAST CONCRETE BOX CULVERT.
 5. SHOP PLANS FOR PRECAST CONCRETE BOX CULVERT SECTIONS WHICH SATISFY THE STANDARD SHAPES, REINFORCEMENT, AND DETAILING OF ASTM C1433 ARE NOT REQUIRED TO BE REVIEWED AND APPROVED BY THE ENGINEER.
 6. THE COST OF THE PRECAST CONCRETE BOX CULVERT, OF THE SIZE SPECIFIED, INCLUDES THE COST OF EXCAVATION FOR THE POROUS GRANULAR BACKFILL, EXCEPT EXCAVATION OF ROCK AND/OR UNSTABLE OR UNSUITABLE MATERIAL BELOW BEDDING GRADE.
 7. THE COST OF THE PRECAST CONCRETE BOX CULVERT END SECTIONS INCLUDES THE COST OF THE EXCAVATION, TOEWALL AND COLLARS.

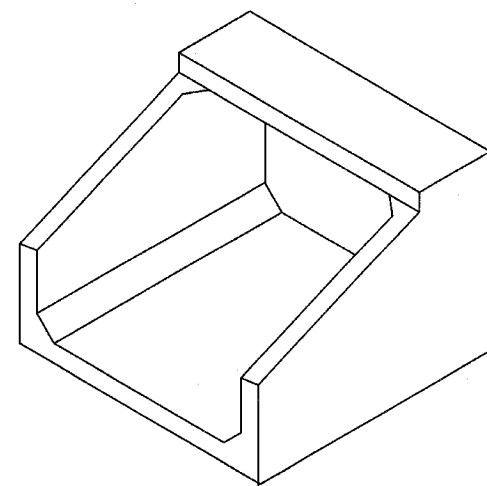


SIDE VIEW

END VIEW

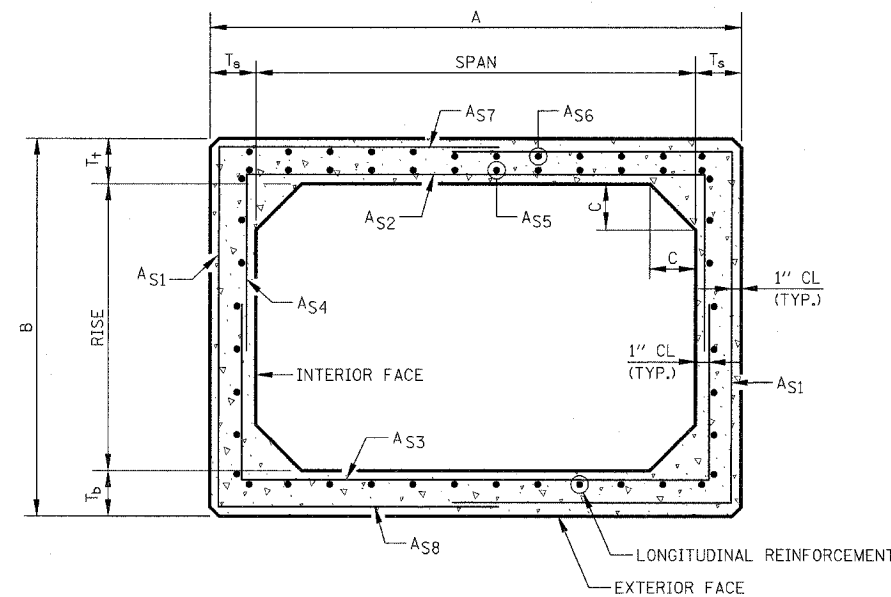
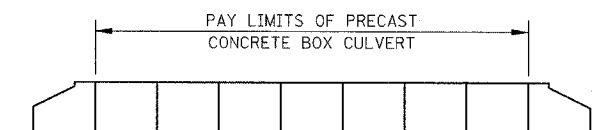


PLAN



ISOMETRIC VIEW

END CONNECTION TO FIT PRECAST BOX CULVERT BELL OR SPIGOT MAY BE OMITTED WHEN COLLARING TO AN EXISTING BOX OR HEADWALL



CROSS SECTION

DIMENSIONS (FOR ASTM C1433)*

SPAN X RISE (FEET)	T ₊ (INCHES)	T ₋ (INCHES)	T _s (INCHES)	A (FT.-IN.)	B (FT.-IN.)	C (INCHES)	E (FT.-IN.)	F (FT.-IN.)	G (FT.-IN.)	H (FT.-IN.)	SLOPE (X:Y)
5 X 3	8	7	6	6-0	4-3	6	2-0	4-0	1-0	2-0	2:1

*ALL DIMENSIONS SHOULD BE VERIFIED WITH SUPPLIER

ILLINOIS DEPARTMENT OF TRANSPORTATION
DISTRICT NO. 1 SCHAUMBURG

5' X 3' PRECAST CONCRETE
BOX CULVERT AND END SECTIONS

SCALE NONE
DATE MARCH 18, 2008

DRAWN BY TB
CHECKED BY WPM