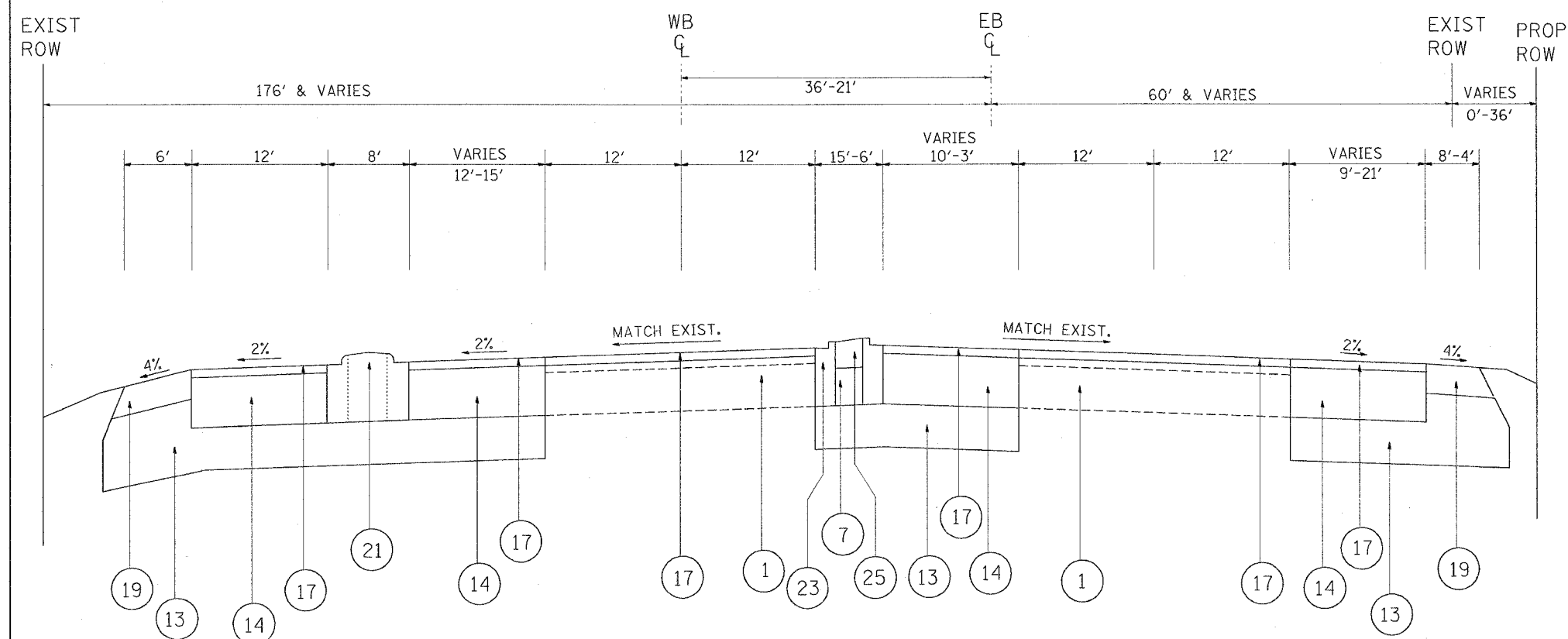


EXISTING TYPICAL SECTION
U.S. ROUTE 20
 STA. 76+53 TO STA. 80+77
 (STA. 216+22 TO STA. 230+69)



PROPOSED TYPICAL SECTION
U.S. ROUTE 20
 STA. 75+95 TO STA. 80+77
 (STA. 216+22 TO STA. 230+69)

- LEGEND**
- ① EXISTING PCC PAVEMENT (US 20), ± 9 1/2"
 - ② EXISTING HMA AFTER MILLING (US 20), ± 4 "
 - ③ EXISTING PAVEMENT (SHALES PKWY), ± 11 1/4"
 - ③A EXISTING PAVEMENT AFTER MILLING (SHALES PKWY), ± 8 3/4"
 - ④ EXISTING PAVEMENT (BLUFF CITY BLVD), ± 7 1/2"
 - ④A EXISTING PAVEMENT AFTER MILLING (BLUFF CITY BLVD), ± 5 "
 - ⑤ EXISTING HOT-MIX ASPHALT SHOULDER
 - ⑥ EXISTING AGGREGATE SHOULDER (SEE ROADWAY PLANS)
 - ⑦ PROPOSED SUB-BASE GRANULAR MATERIAL, TYPE B
 - ⑧ PROPOSED MEDIAN REMOVAL
 - ⑨ PROPOSED PAVED SHOULDER REMOVAL
 - ⑩ PROPOSED AGGREGATE SHOULDER REMOVAL (TO BE PAID AS EARTH EXC.)
 - ⑪ PROPOSED COMB. CURB AND GUTTER REMOVAL
 - ⑫ PROPOSED HOT-MIX ASPHALT SURFACE REMOVAL, 2"
 - ⑬ PROPOSED AGGREGATE SUB-GRADE, 12"
 - ⑭ PROPOSED HOT-MIX ASPHALT BASE COURSE WIDENING, 12" (US 20)- [3 LIFTS]
 - ⑮ PROPOSED HOT-MIX ASPHALT BASE COURSE WIDENING, 7 3/4" (SHALES PKWY.)- [3 LIFTS]
 - ⑯ PROPOSED HOT-MIX ASPHALT BASE COURSE WIDENING, 10 3/4" (BLUFF CITY BLVD.)- [3 LIFTS]
 - ⑰ PROPOSED POLY. HOT-MIX ASPHALT SURFACE COURSE MIX "F", N90, 2"
 - ⑱ PROPOSED LEVELING BINDER (MACHINE METHOD), N70 (MIN. 3/4" AND VARIES) (Sta. 90+00 to Sta. 92+02.9 on US 20)
 - ⑲ PROPOSED HOT-MIX ASPHALT SHOULDER, 8"
 - ⑳ PROPOSED RETAINING WALL (SEE ROADWAY PLANS)
 - ㉑ PROPOSED CONCRETE MEDIAN, TYPE SB-6.24
 - ㉒ PROPOSED COMB. CONC. CURB & GUTTER TY. B-6.24
 - ㉓ PROPOSED COMB. CONC. CURB & GUTTER TY. M-4.12
 - ㉔ PROPOSED AGGREGATE SHOULDER, TYPE B, 6"
 - ㉕ PROPOSED CONCRETE MEDIAN SURFACE 4"
 - ㉖ PROPOSED COMB. CONC. CURB & GUTTER TY. M-4.24

PLOT DATE = 11/15/2007
 FILE NAME = c:\projects\112763\design\stop.dgn
 PLOT SCALE = 1" = 10'-0"
 REFERENCE = #REF#

REVISIONS		ILLINOIS DEPARTMENT OF TRANSPORTATION
NAME	DATE	
		U.S. ROUTE 20 @ SHALES PARKWAY EXISTING/ PROPOSED TYPICAL SECTIONS

SCALE: VERT. _____
 HORIZ. _____
 DATE _____

DRAWN BY _____
 CHECKED BY _____