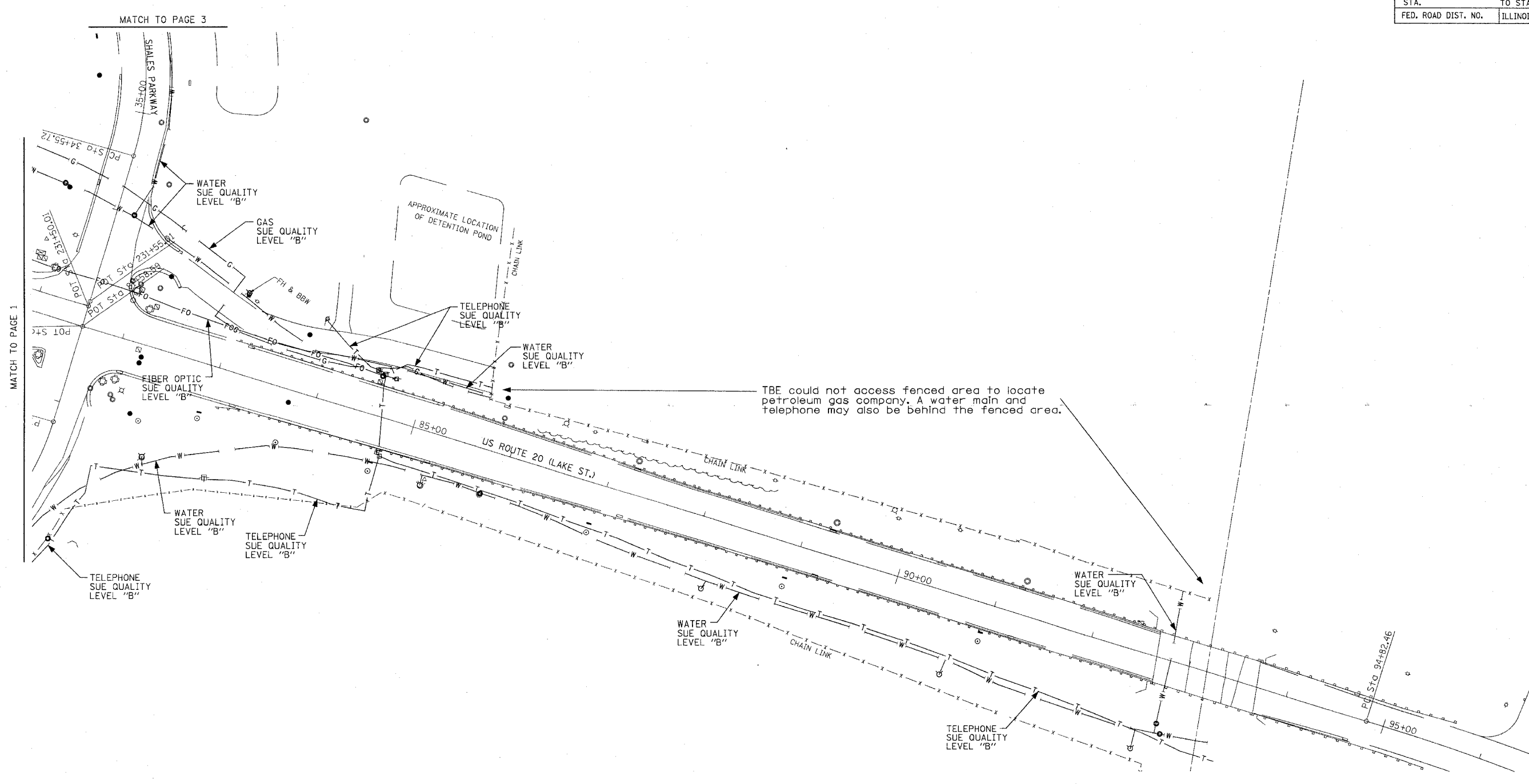


F.A. RTE.	SECTION	COUNTY	TOTAL SHEETS	SHEET NO.
	P-91-260.99	Cook	196	52
STA.	TO STA.			
FED. ROAD DIST. NO.	ILLINOIS	FED. AID PROJECT		




TBE could not access fenced area to locate petroleum gas company. A water main and telephone may also be behind the fenced area.

TBE CIVIL ENGINEERING * TRANSPORTATION * ENVIRONMENTAL
 * PLANNING * UTILITY ENGINEERING/LOCATING
 SOUTHERN REGION: FL, GA, SC, NC
 NORTHERN REGION: IL, IN, MI, OH, MD, NJ, NY
 PA, VA, CANADA
 WESTERN REGION: AZ, NV, NM, TX, CA, OR, UT, WA

IL09500203
 TBE SUE PAGE NO: 2 of 3
 Checked by: *[Signature]*
 SUE Quality Level "A" : Test Holes
 SUE Quality Level "B" : Designating

— SL —	— SL —	STREET LIGHT
— TS —	— TS —	TRAFFIC SIGNAL
— T —	— T —	TELEPHONE
— W —	— W —	WATER
— G —	— G —	GAS
— FO —	— FO —	FIBER OPTIC CABLE
— COCE —	— COCE —	CITY OF CHICAGO ELECTRIC
— E —	— E —	ELECTRIC
●		TEST HOLE

Utilities shown on these plans as depicted in the legend have been investigated by TBE Group, Inc in accordance with SUE Industry Standards. All other information shown has been provided to TBE Group, Inc by others.


 205 W. WACKER DRIVE
 SUITE 1020
 CHICAGO, IL 60606
 (312) 704-1970

REVISIONS	
NAME	DATE

ILLINOIS DEPARTMENT OF TRANSPORTATION
 SUE Investigation of Underground Utilities
 Lake St. (RT-20)
 Elgin, IL
 Contract No: 62617 DRAWN BY : KLC
 SQL "B" DATE : 8/11/2004 SCALE 1" = 50'

As of 9/03/04 TBE has not received as-built plans from the following utilities for review purposes only. SBC, ComEd and Natural Gas Pipeline of America.