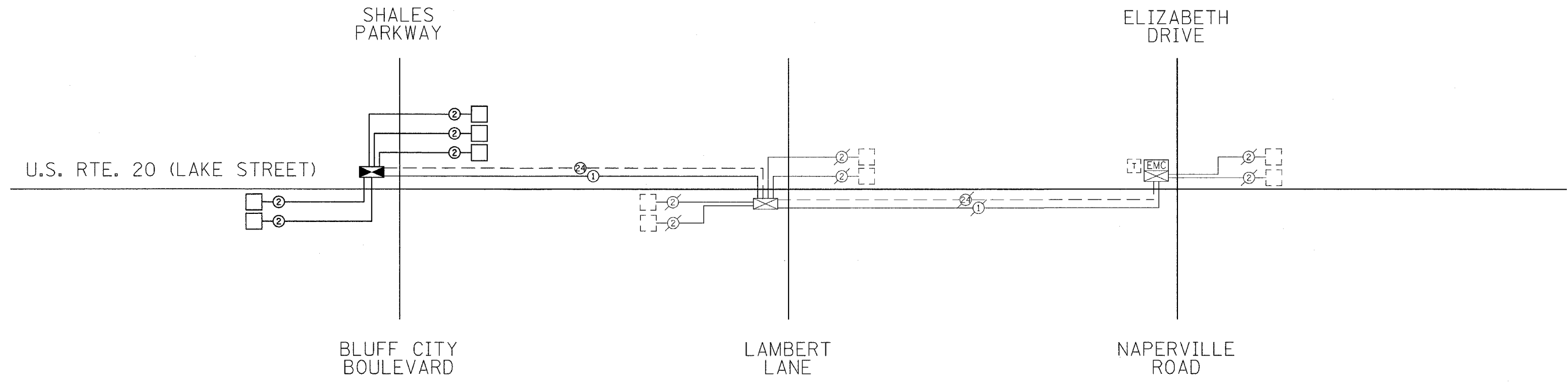


F.A.P. RTE.	SECTION	COUNTY	TOTAL SHEETS	SHEET NO.
345	BR-1-N-1	COOK	196	87
STA.		TO STA.		
FED. ROAD DIST. NO. 7		ILLINOIS FED. AID PROJECT		



PAY ITEM	UNIT	QUANTITY
CONDUIT IN TRENCH, 2" DIA., GALVANIZED STEEL	FOOT	1081
CONDUIT PUSHED, 2" DIA., GALVANIZED STEEL	FOOT	143
CONDUIT ATTACHED TO STRUCTURE, 2" DIA., GALVANIZED STEEL	FOOT	105
JUNCTION BOX, STAINLESS STEEL, ATTACHED TO STRUCTURE, 16" X 12" X 8"	EACH	2
TRENCH AND BACKFILL FOR ELECTRICAL WORK	FOOT	1081
MAINTENANCE OF EXISTING TRAFFIC SIGNAL INSTALLATION	EACH	1
DRILL EXISTING HANDHOLE	EACH	1
ELECTRIC CABLE IN CONDUIT, TRACER, NO. 14 1C	FOOT	2670
FIBER OPTIC CABLE IN CONDUIT, NO. 62.5/125, MM12F SM12F	FOOT	2694
RE-OPTIMIZE TRAFFIC SIGNAL SYSTEM - LEVEL II	EACH	1

INTERCONNECT SCHEMATIC LEGEND

EXISTING INTERSECTION CONTROLLER		EXISTING SAMPLING (SYSTEM) PREFORMED DETECTORS	
PROPOSED INTERSECTION CONTROLLER		PROPOSED SAMPLING (SYSTEM) PREFORMED DETECTORS	
EXISTING MASTER CONTROLLER		EXISTING FIBER OPTIC CABLE IN CONDUIT, NO. 62.5/125, MM12F SM12F	
PROPOSED MASTER CONTROLLER		PROPOSED FIBER OPTIC CABLE IN CONDUIT, NO. 62.5/125, MM12F SM12F	
MASTER MASTER CONTROLLER		EXISTING INTERCONNECT CABLE - NO. 62.5/125 12F FIBER OPTIC CABLE	
EXISTING INTERSECTION & SAMPLING (SYSTEM) DETECTORS		PROPOSED INTERCONNECT CABLE - NO. 62.5/125 12F FIBER OPTIC CABLE	
PROPOSED INTERSECTION & SAMPLING (SYSTEM) DETECTORS		EXISTING INTERCONNECT CABLE - NO. 18 3 PAIR TWISTED, SHIELDED	
EXISTING INTERSECTION LOOP DETECTORS		PROPOSED INTERCONNECT CABLE - NO. 18 3 PAIR TWISTED, SHIELDED	
PROPOSED SAMPLING (SYSTEM) DETECTORS		EXISTING LOOP DETECTOR CABLE 2/C TWISTED, SHIELDED	
EXISTING SAMPLING (SYSTEM) DETECTORS, PROPOSED INTERSECTION AND SAMPLING (SYSTEM) DETECTORS.		PROPOSED LOOP DETECTOR CABLE 2/C TWISTED, SHIELDED	
EXISTING SAMPLING (SYSTEM) DETECTORS, PROPOSED SAMPLING (SYSTEM) DETECTORS.		EXISTING ELECTRIC CABLE, 1/C (AS SPECIFIED)	
EXISTING PREFORMED INTERSECTION & SAMPLING (SYSTEM) DETECTORS		PROPOSED ELECTRIC CABLE, 1/C (AS SPECIFIED)	
PROPOSED PREFORMED INTERSECTION & SAMPLING (SYSTEM) DETECTORS		EXISTING TELEPHONE CONNECTION	
		PROPOSED TELEPHONE CONNECTION	

NOTE:
THE TRAFFIC SIGNAL CONTROLLER EQUIPMENT FOR THIS PROJECT SHALL BE "EAGLE" TO MATCH THE EXISTING ADJACENT SYSTEM.

REVISIONS	
NAME	DATE

ILLINOIS DEPARTMENT OF TRANSPORTATION
INTERCONNECT SCHEMATIC AND SCHEDULE OF QUANTITIES
 U.S. RTE. 20 (LAKE STREET)
 SHALES PKWY./BLUFF CITY BLVD.
 TO LAMBERT LANE
 SCALE: NOT TO SCALE
 DATE: 12/14/2007
 DRAWN BY: CEC
 DESIGNED BY: BRD
 CHECKED BY: JUE