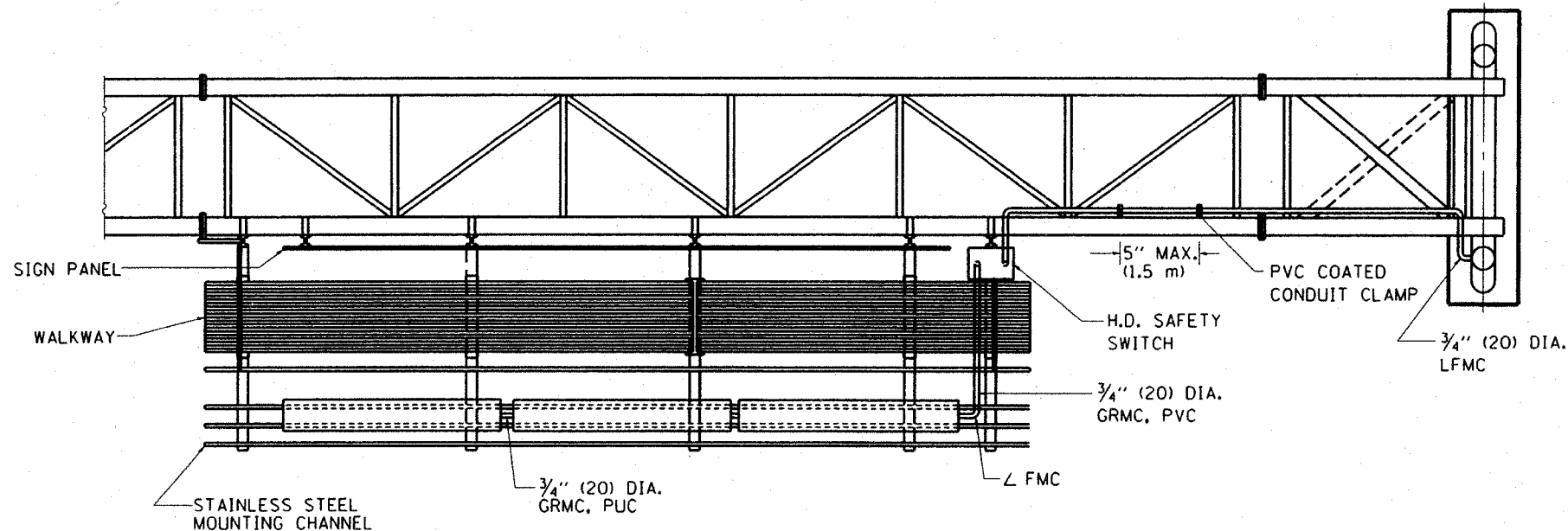
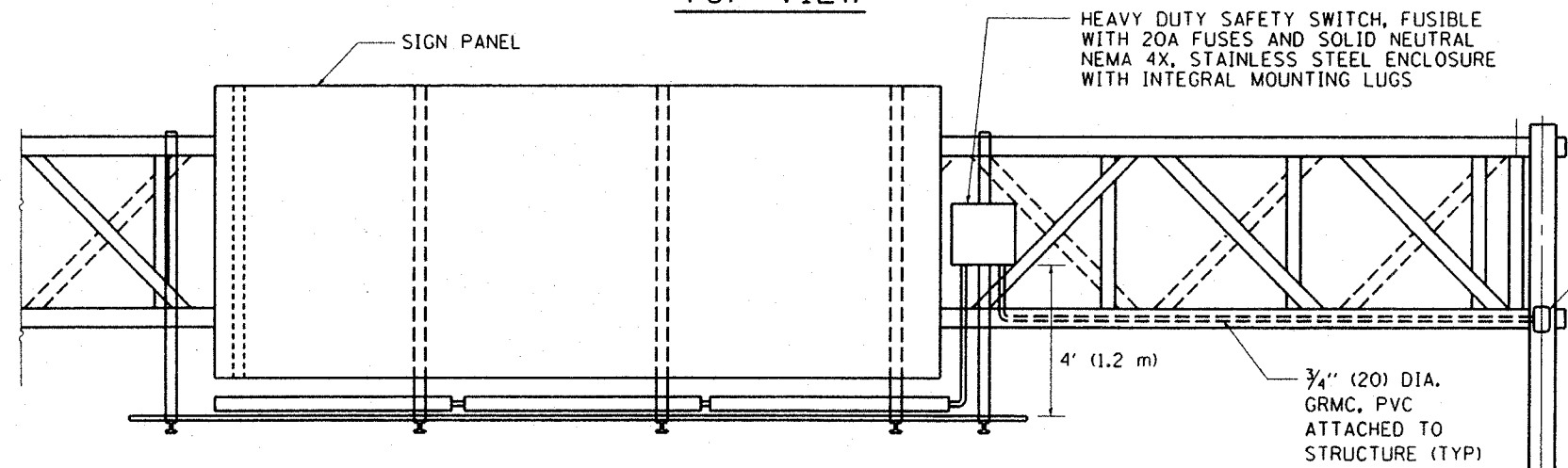
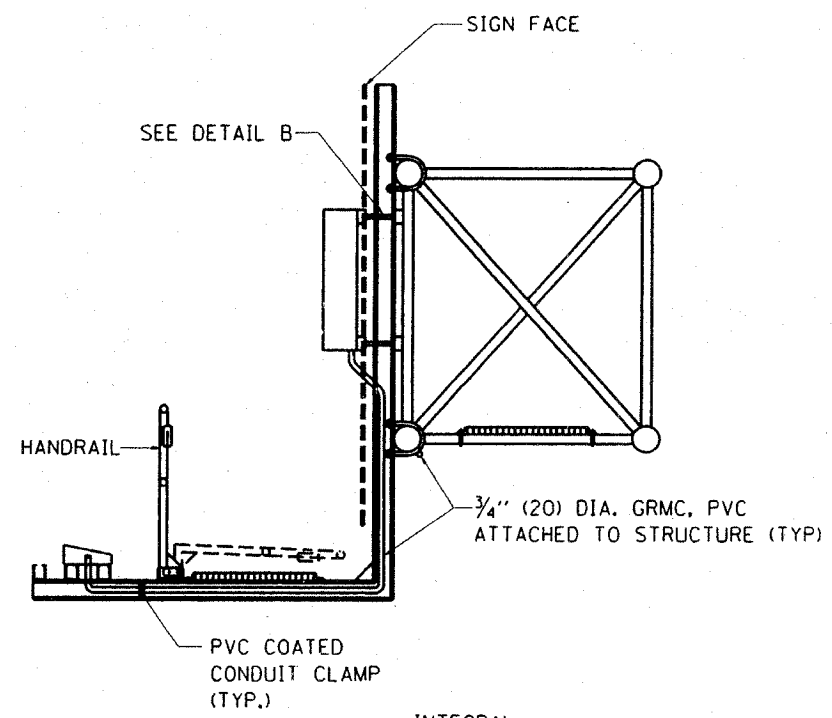


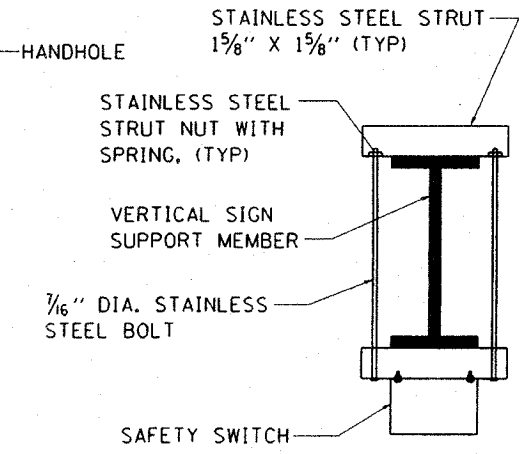
CONTRACT NO.				
F.A. RTE.	SECTION	COUNTY	TOTAL SHEETS	SHEET NO.
345	BR-1-N-1	Cook	196	115
STA.		TO STA.		
FED. ROAD DIST. NO.		ILLINOIS FED. AID PROJECT		



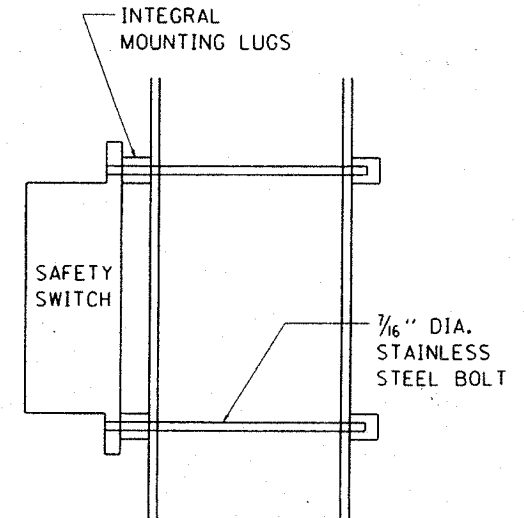
TOP VIEW



ELEVATION VIEW



TOP VIEW



SIDE VIEW

DETAIL B

REVISIONS	
NAME	DATE
	08/19/04

ILLINOIS DEPARTMENT OF TRANSPORTATION  
 ELECTRIC CONNECTION TO SIGN STRUCTURE  
 SPAN TYPE  
 2 OF 2

SCALE: VERT. NONE  
 HORIZ.  
 DRAWN BY  
 CHECKED BY  
 BE-600

PLOT DATE: 2/1/2008  
 FILE NAME: M:\GIS\104\24-25\104600.dwg  
 PLOT SCALE: 100:1  
 USER NAME: jdrake