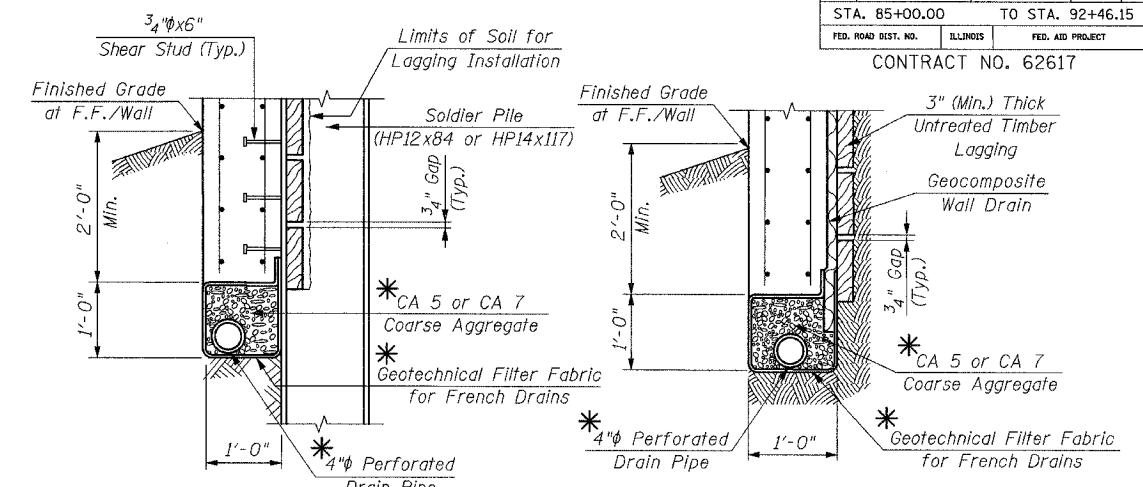


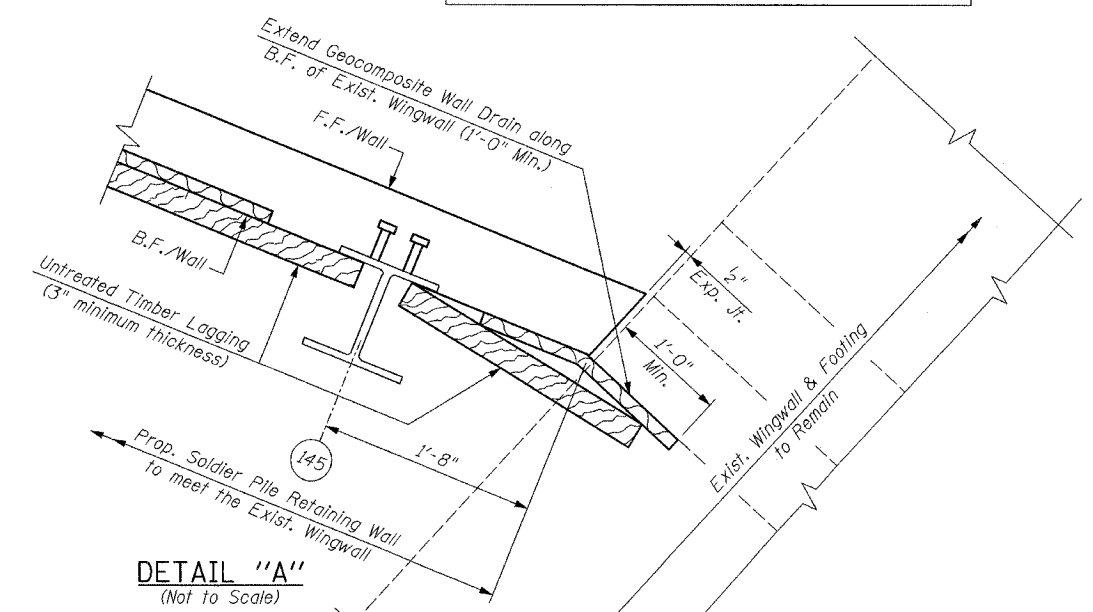
**BILL OF MATERIAL**

Bar	No.	Size	Length	Shape
h(E)	410	#6	32'-6"	
h1(E)	214	#6	29'-9"	
h2(E)	68	#6	26'-11"	
h3(E)	34	#6	24'-2"	
h4(E)	34	#6	23'-9"	
h5(E)	28	#6	23'-0"	
v(E)	1,408	#6	10'-2"	
v1(E)	96	#6	9'-6"	
v2(E)	180	#6	5'-6"	
v3(E)	180	#6	6'-8"	
v4(E)	360	#6	6'-9"	
v5(E)	180	#6	7'-3"	
v6(E)	328	#6	7'-11"	
v7(E)	96	#6	8'-4"	
Reinforcement Bars, Epoxy Coated			Lb.	72,610

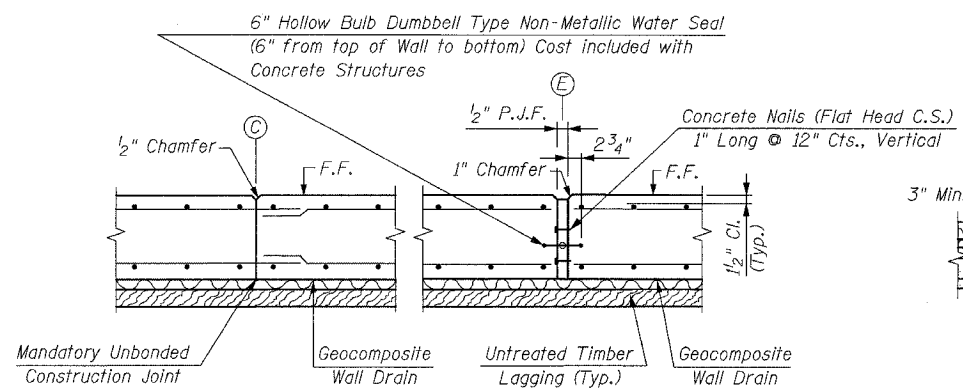
**DRIVEN SOLDIER PILE TYPICAL WALL SECTION**



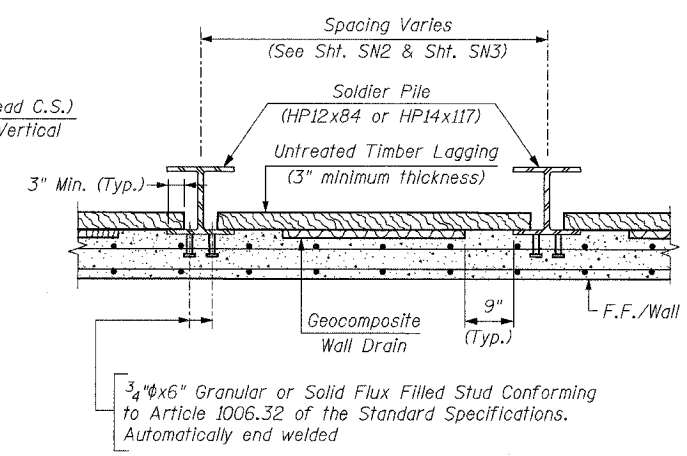
**PIPE UNDERDRAIN DETAIL AT SOLDIER PILES**  
**PIPE UNDERDRAIN DETAIL BETWEEN SOLDIER PILES**



**DETAIL "A"**  
(Not to Scale)



**CONSTRUCTION JOINT EXPANSION JOINT END OF PANEL DETAILS**



**TYPICAL SECTION THRU SOLDIER PILE WALL**

**REVISIONS**

NAME	DATE

ILLINOIS DEPARTMENT OF TRANSPORTATION

**SECTION & RETAINING WALL DETAILS**

U.S. RTE. 20  
AT BLUFF CITY / SHALES PARKWAY  
NORTH SOLDIER PILE RETAINING WALL  
F.A.P. 345 SECTION: 8R-1-N-1  
COOK COUNTY  
STRUCTURE NO. 016-W969

SCALE: NONE  
DATE: FEBRUARY, 2008  
DRAWN BY: D.L./F.M.  
CHECKED BY: B.N.S./J.C.N.

**CHRISTIAN-ROGE & ASSOC., INC.**  
CHICAGO ILLINOIS