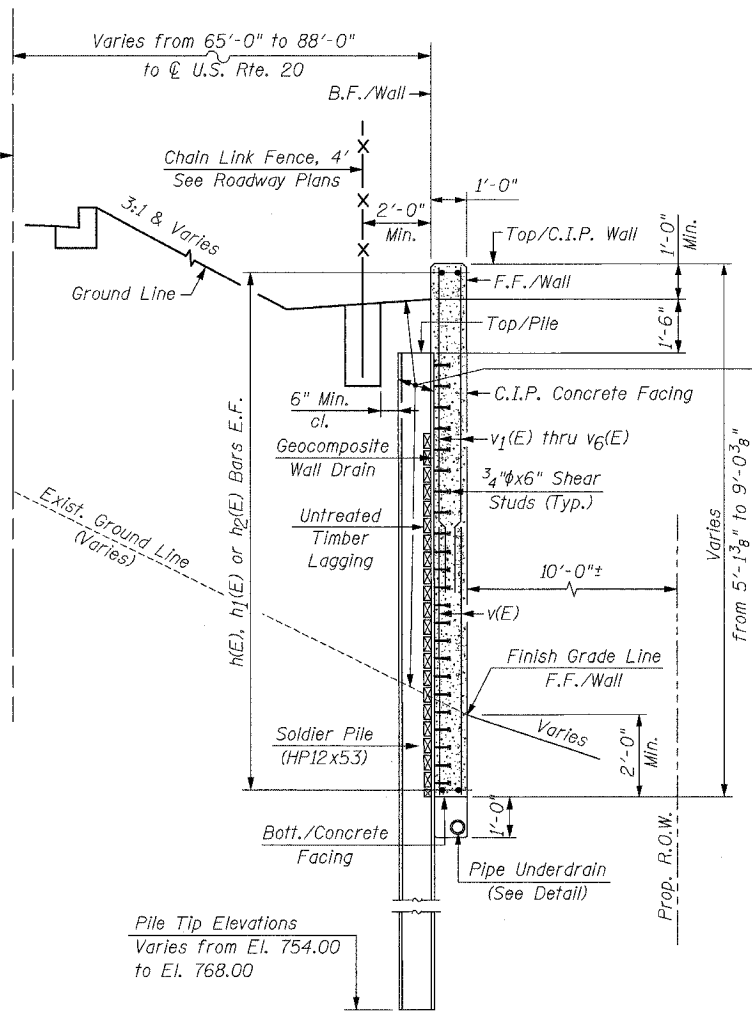


F.A.P. No.	SECTION	COUNTY	TOTAL SHEETS	SHEET NO.
345	BR-1-N-1	COOK	196	132
STA. 84+90.00		TO STA. 92+00.00		
FED. ROAD DIST. NO.	ILLINOIS	FED. AID PROJECT		

CONTRACT NO. 62617

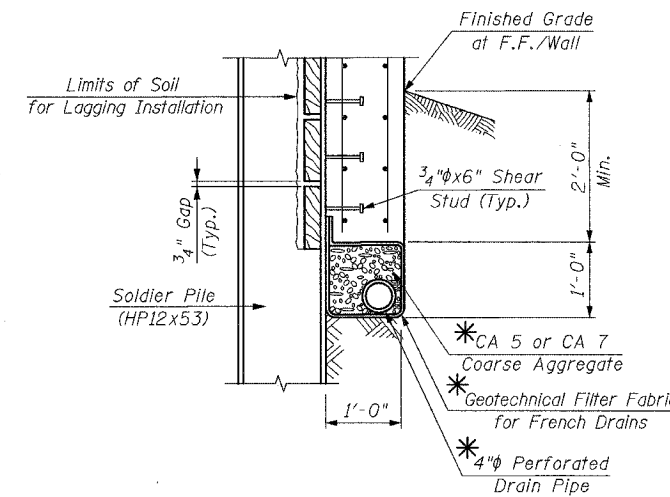
BILL OF MATERIAL

Bar	No.	Size	Length	Shape
h(E)	300	#6	32'-6"	
h1(E)	132	#6	29'-9"	
h2(E)	20	#6	20'-4"	
v(E)	1,482	#6	4'-9"	
v1(E)	120	#6	5'-9"	
v2(E)	540	#6	6'-4"	
v3(E)	180	#6	6'-2"	
v4(E)	180	#6	5'-5"	
v5(E)	180	#6	5'-11"	
v6(E)	162	#6	6'-7"	
Reinforcement Bars, Epoxy Coated		Lb.	44,230	

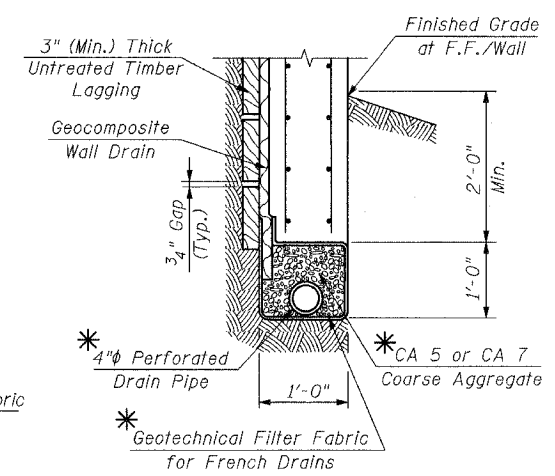


**DRIVEN SOLDIER PILE
TYPICAL WALL SECTION
(Looking East)**

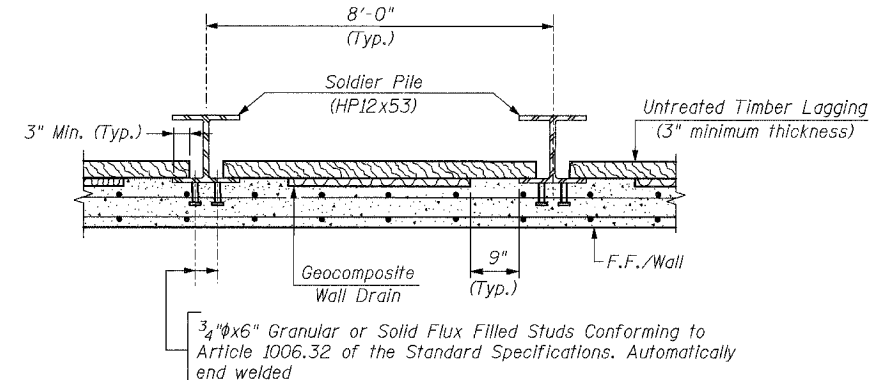
* Included in the cost of Pipe Underdrains for Structures



**PIPE UNDERDRAIN DETAIL
AT SOLDIER PILES**

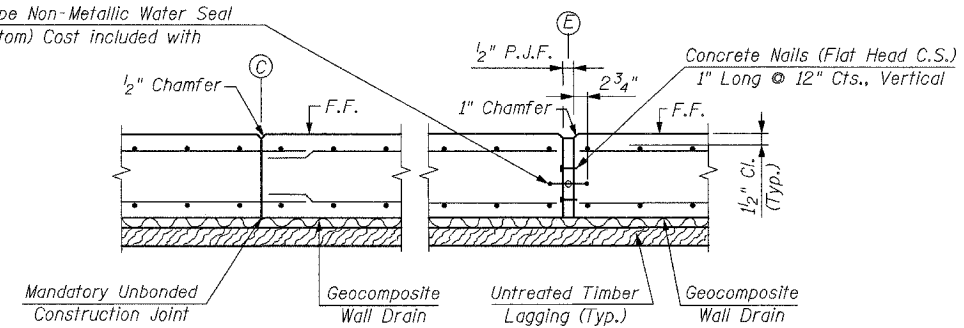


**PIPE UNDERDRAIN DETAIL
BETWEEN SOLDIER PILES**



**TYPICAL SECTION THRU
SOLDIER PILE WALL**

6" Hollow Bulb Dumbbell Type Non-Metallic Water Seal (6" from top of Wall to bottom) Cost included with Concrete Structures



**CONSTRUCTION JOINT EXPANSION JOINT
END OF PANEL DETAILS**

REVISIONS	
NAME	DATE

ILLINOIS DEPARTMENT OF TRANSPORTATION
SECTION & RETAINING WALL DETAILS
U.S. RTE. 20
AT BLUFF CITY / SHALES PARKWAY
SOUTH SOLDIER PILE RETAINING WALL
F.A.P. 345 SECTION: BR-1-N-1
COOK COUNTY
STRUCTURE NO. 016-W968
SCALE: NONE DRAWN BY: D.L./F.M.
DATE: FEBRUARY, 2008 CHECKED BY: B.N.S./J.C.N.
CHRISTIAN-ROGE & ASSOC., INC.
CHICAGO ILLINOIS