

LEGEND

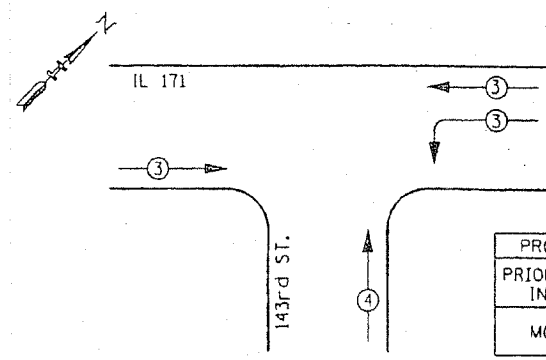
- DUAL ENTRY PHASE
- OVERLAP
- PEDESTRIAN PHASE

• NUMBER REFERS TO ASSOCIATED PHASE

PHASE DESIGNATION DIAGRAM

RIGHT TURN OVERLAP PHASE DESIGNATION

OVERLAP LETTER	PERMISSIVE PHASE	PROTECTED PHASE
D	= 8	+ 1
A	= 2	+ 8



EMERGENCY VEHICLE PREEMPTION SEQUENCE

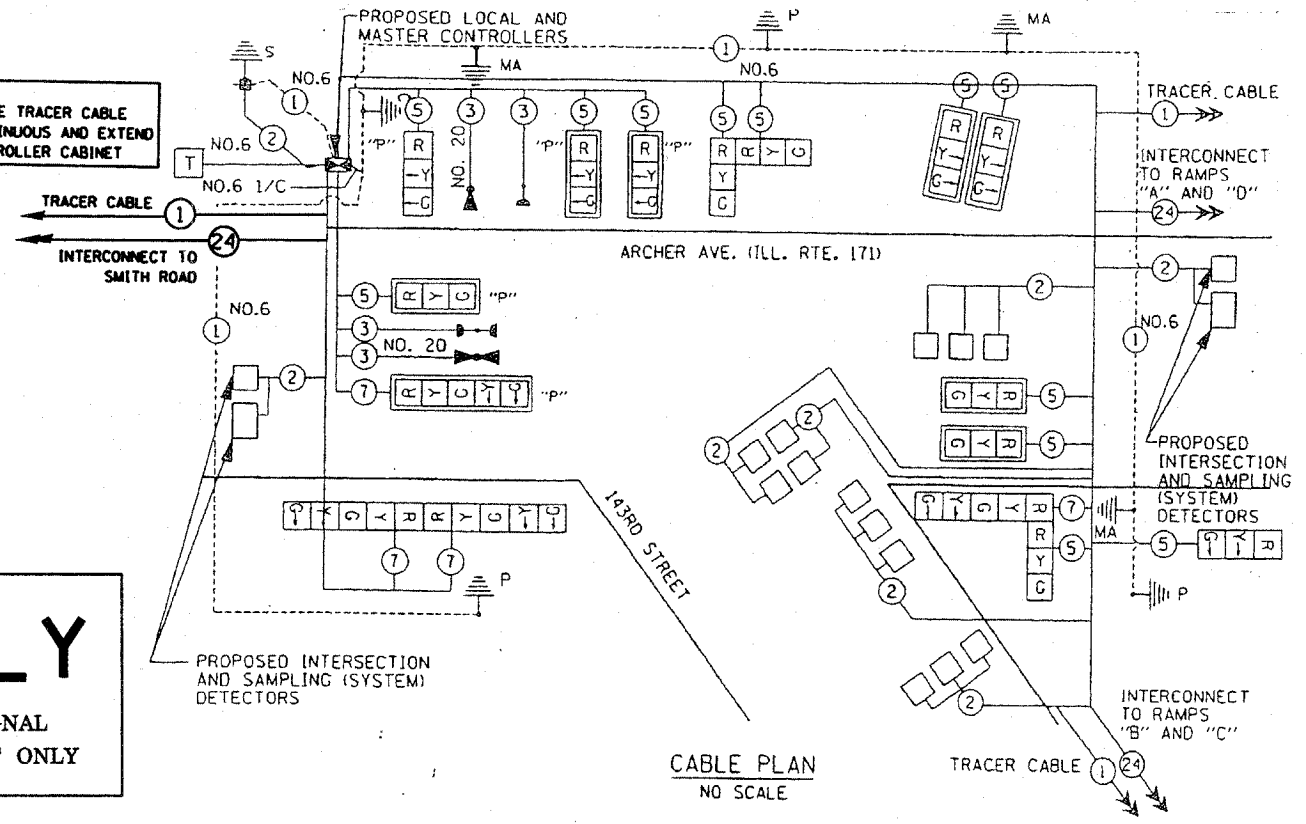
PROPOSED PRIORITY LANES

PRIORITY LANE INTERVAL	3	4
MOVEMENT	←	↑

INFORMATION ONLY

THIS SHEET IS USED TO SHOW THE PROPOSED TRAFFIC SIGNAL INTERCONNECT CONNECTED TO EXIST CONTROLLER CABINET ONLY

NOTE:
THE END OF THE TRACER CABLE SHALL BE CONTINUOUS AND EXTEND INTO THE CONTROLLER CABINET



CABLE PLAN
NO SCALE

CABLE PLAN LEGEND

- | | | | | | | | |
|--|-----------------|--|-----------------|--|-----------------|--|-----------------|
| | EXISTING | | PROPOSED | | EXISTING | | PROPOSED |
| | EXISTING | | PROPOSED | | EXISTING | | PROPOSED |
| | EXISTING | | PROPOSED | | EXISTING | | PROPOSED |
| | EXISTING | | PROPOSED | | EXISTING | | PROPOSED |
| | EXISTING | | PROPOSED | | EXISTING | | PROPOSED |
| | EXISTING | | PROPOSED | | EXISTING | | PROPOSED |
| | EXISTING | | PROPOSED | | EXISTING | | PROPOSED |
| | EXISTING | | PROPOSED | | EXISTING | | PROPOSED |
| | EXISTING | | PROPOSED | | EXISTING | | PROPOSED |
| | EXISTING | | PROPOSED | | EXISTING | | PROPOSED |
| | EXISTING | | PROPOSED | | EXISTING | | PROPOSED |

I.D.O.T. TRAFFIC SIGNAL INSTALLATION ELECTRICAL SERVICE REQUIREMENTS

TYPE	NO. OF LAMPS	WATTAGE		% OPERATIONS	TOTAL WATTAGE
		INCAND.	LED		
SIGNAL (RED)	20	135	17	0.50	170
(YELLOW)	20	135	25	0.25	125
(GREEN)	20	135	15	0.25	75
RROR	0	135	12	0.10	0
ED. SIGNAL	0	90	25	1.00	0
ONTROLLER	1	100	100	1.00	100
LLUM. SIGN		252		0.05	
TOTAL =					470

SCHEDULE OF QUANTITIES

ITEM	UNIT	QUANTITY
MAINTENANCE OF EXISTING TRAFFIC SIGNAL INSTALLATION	EACH	1

FOUNDATION / DEPTH	FT. (m)	CABLE SLACK	FT. (m)	VERTICAL	FT. (m)
TYPE A - POST	4 (1.2)	HANDHOLE	6.5 (2.0)	ALL FOUNDATIONS	3.5 (1.0)
D - CONTROLLER	4 (1.2)	DOUBLE HANDHOLE	13 (4.0)	MAST ARM (L) POLE	20' + L-2 = (6mH - 0.6m)
E - MAST ARM POLE		SIGNAL POST	2 (1.0)	BRACKET MOUNTED	13 (4.0)
24" (600mm)	10 (3.0)	CONTROLLER CAB.	1 (0.5)	PED. PUSHBUTTON	4 (1.2)
30" (750mm)	15 (4.6)	FIBER OPTIC	13 (4.0)	ELECTRIC SERVICE	13.5 (4.1)
		ELECTRIC SERVICE	1 (0.5)	ELECTRIC SERVICE	13.5 (4.1)
		GROUND CABLE	1 (0.5)	SERVICE TO GROUND	13.5 (4.1)
				POST MOUNTED	6 (1.8)

ILLINOIS DEPARTMENT OF TRANSPORTATION
DIVISION OF HIGHWAY/DISTRICT 1
101 WEST CENTER COURT/SCHAUMBURG, ILLINOIS 60196-1096

ENERGY SUPPLY: CONTACT: TONY COX
PHONE: (815) 724-5010
COMPANY: COMED

DRAWN: PAW
CHECKED: DMJ
DATE: FEBRUARY 2007
SCALE: 1"=20'

TYLIN INTERNATIONAL

THE ILLINOIS STATE TOLL HIGHWAY AUTHORITY
2700 OGDEN AVENUE
DOWNERS GROVE, ILLINOIS 60515

REVISIONS

NO.	DATE	DESCRIPTION

CONTRACT NO. I-05-7723
TRAFFIC SIGNAL INSTALLATION
ILL. RTE. 171 AT 143rd ST.
SHEET 2 OF 2