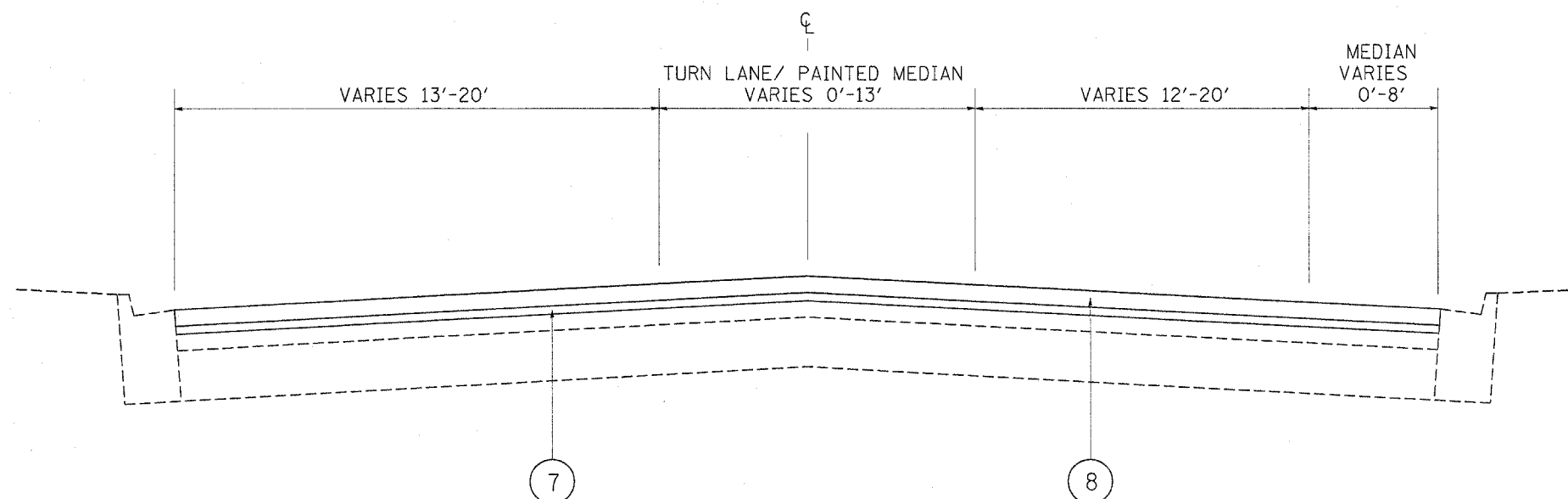


EXISTING TYPICAL SECTION  
 RIEGLE ROAD  
 STA. 247+14 TO STA. 258+63



PROPOSED TYPICAL SECTION  
 RIEGLE ROAD  
 STA. 247+14 TO STA. 258+63

LEGEND

- ① EXISTING PCC PAVEMENT, ±9"
- ② EXISTING HMA SURFACE COURSE, ±5"
- ③ EXISTING AGGREGATE SHOULDER
- ④ EXISTING CURB AND GUTTER, TYPE B 6.12
- ⑤ EXISTING MOUNTABLE MEDIAN
- ⑥ PROPOSED HOT-MIX ASPHALT SURFACE REMOVAL, 2 1/4"
- ⑦ PROPOSED POLYMERIZED LEVELING BINDER (MACHINE METHOD), IL-4.75, N50, 3/4"
- ⑧ PROPOSED HOT-MIX ASPHALT CONCRETE SURFACE COURSE, MIX "D", N70, 1 1/2"
- ⑨ AGGREGATE SHOULDERS, TYPE B

FILE NAME =	USER NAME = #USER#	DESIGNED -	REVISED -	<b>STATE OF ILLINOIS DEPARTMENT OF TRANSPORTATION</b>	FAU 2860/ RIEGLE ROAD RIDGE RD. TO JOE ORR RD. TYPICAL SECTION		F.A.U. RTE.	SECTION	COUNTY	TOTAL SHEETS	SHEET NO.
#FILE#		DRAWN -	REVISED -				2860	2004-047 RS	COOK	34	7
	PLOT SCALE = #SCALE#	CHECKED -	REVISED -						CONTRACT NO. 62765		
	PLOT DATE = #DATE#	DATE -	REVISED -		SCALE:	SHEET NO. 3 OF 3 SHEETS	STA.	TO STA.	FED. ROAD DIST. NO. 1   ILLINOIS FED. AID PROJECT		