

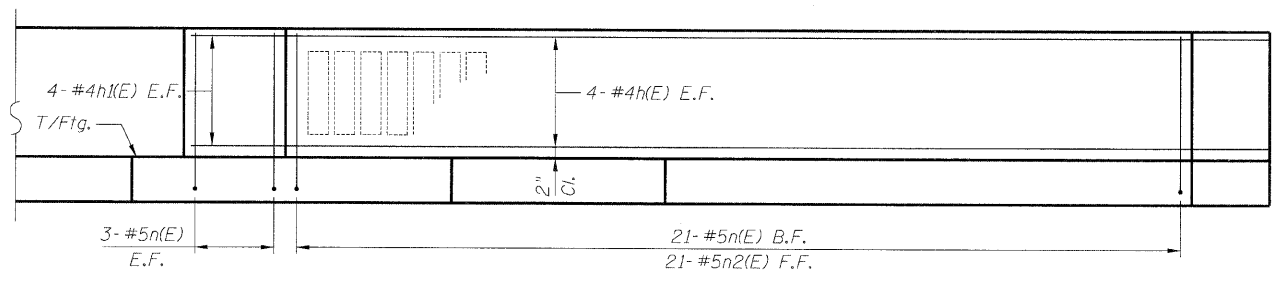
F.A.I.	SECTION	COUNTY	TOTAL SHEETS	SHEET NO.
94/90	*	COOK	38	21
STA.		TO STA.		
FED. ROAD DIST. NO. ILLINOIS FED. AID PROJECT				
62998 * (2323.6-2P&2324.6-1P)1-3				

**DETAIL F REINFORCEMENT
SCHEDULE AND
BILL OF MATERIAL**

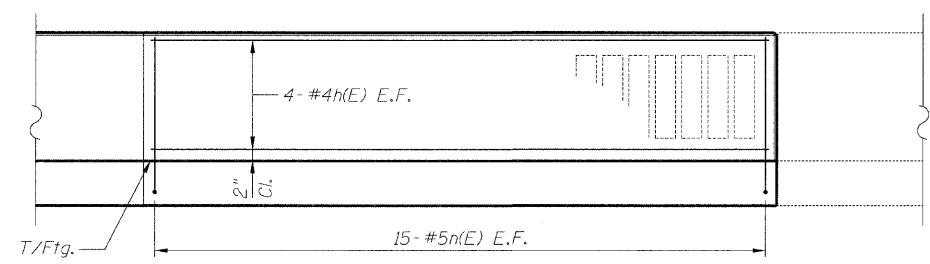
Bar	No.	Size	Length	Shape
h1(E)	8	#4	10'-9"	—
h2(E)	8	#4	2'-10"	—
h3(E)	2	#4	4'-0"	—
n(E)	18	#5	5'-6"	L
n2(E)	15	#5	4'-0"	C
h(E)	20	#6	3'-8"	—
w(E)	4	#4	12'-4"	—
w1(E)	4	#4	4'-8"	—
Item		Unit	Qty.	
Concrete Structures		Cu. Yd.	2.5	
Concrete Superstructure		Cu. Yd.	1.9	
Reinforcement Bars, Epoxy Coated		Pound	400	
Rustication Finish		Sq. Ft.	35	
Protective Coat		Sq. Yd.	8	

**DETAIL C REINFORCEMENT
SCHEDULE AND
BILL OF MATERIAL**

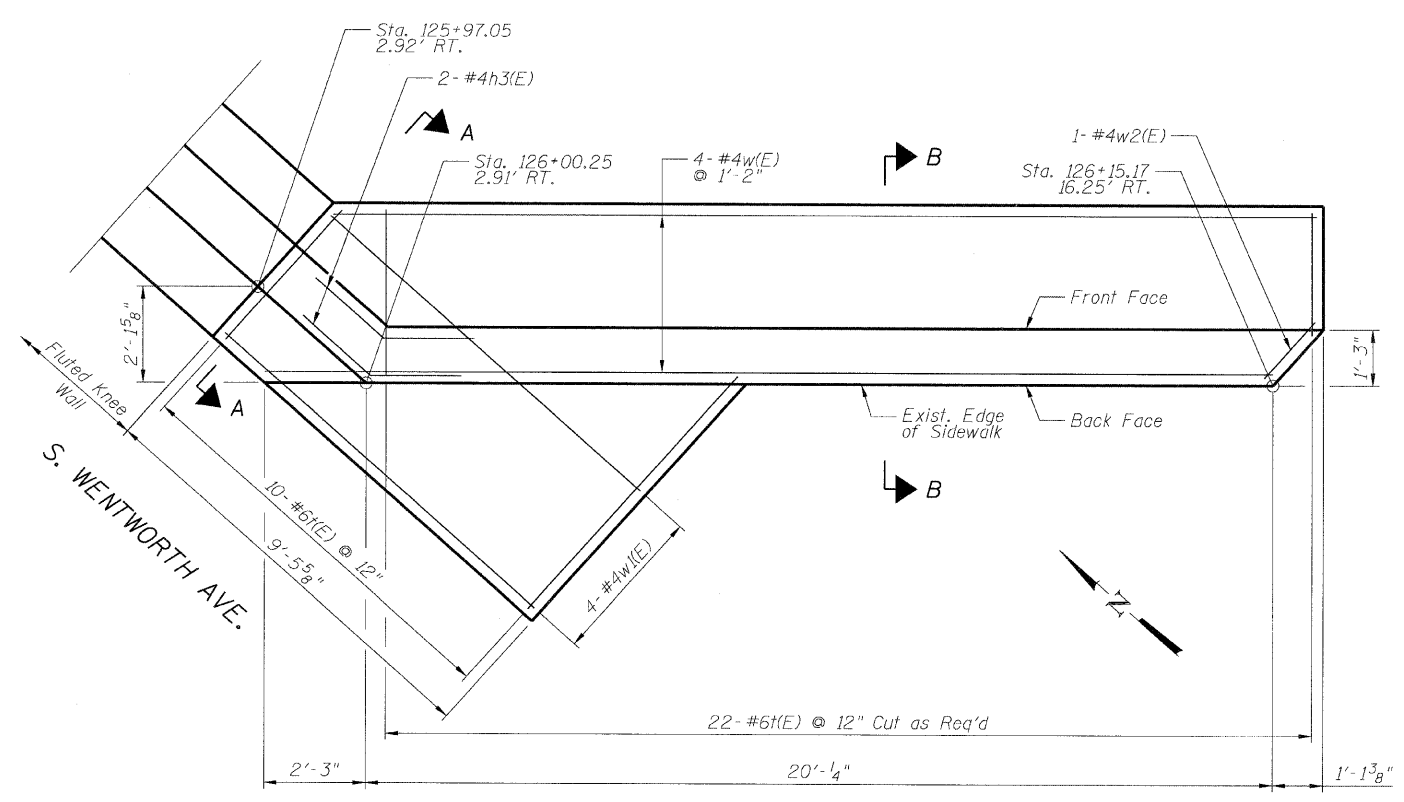
Bar	No.	Size	Length	Shape
h1(E)	8	#4	11'-9"	—
h2(E)	8	#4	2'-10"	—
h3(E)	2	#4	4'-0"	—
n(E)	16	#5	5'-5"	L
n2(E)	16	#5	4'-0"	C
h1(E)	16	#6	3'-8"	—
w1(E)	4	#4	12'-10"	—
Item		Unit	Qty.	
Concrete Structures		Cu. Yd.	3.1	
Concrete Superstructure		Cu. Yd.	2.8	
Reinforcement Bars, Epoxy Coated		Pound	370	
Rustication Finish		Sq. Ft.	35	
Protective Coat		Sq. Yd.	12	



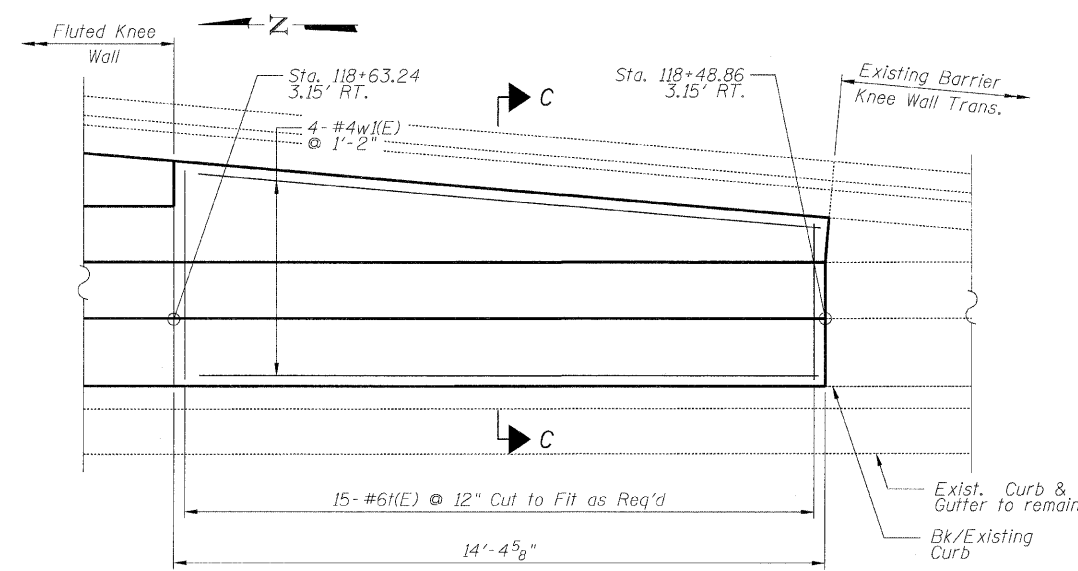
ELEVATION



ELEVATION

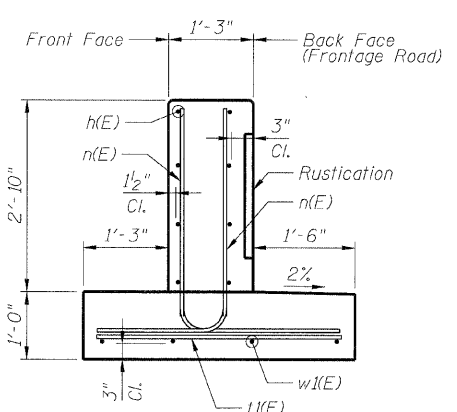


PLAN

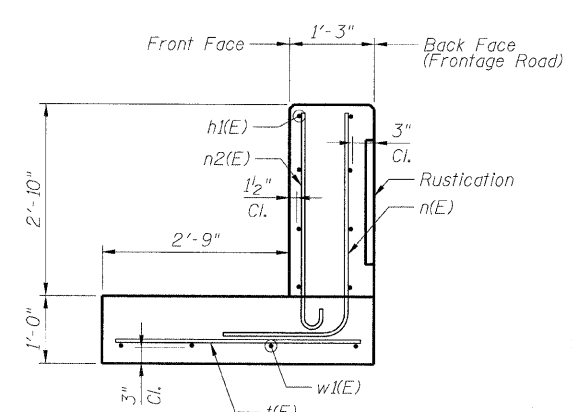


S. WENTWORTH AVE.

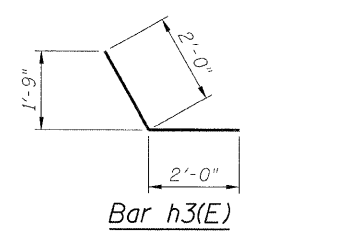
PLAN



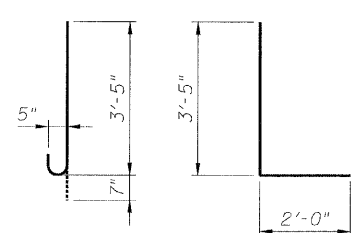
SECTION A-A



SECTION B-B

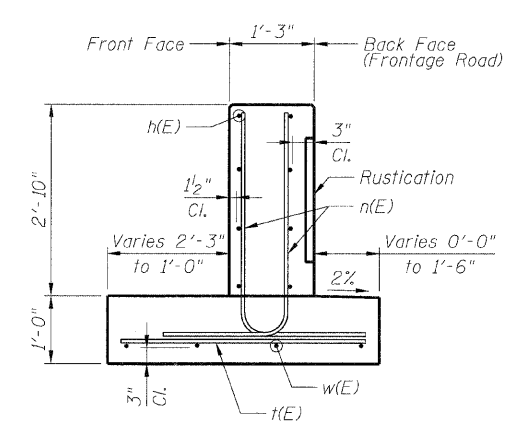


Bar h3(E)



Bar n2(E)

Bar n(E)



SECTION C-C

NOTES:

- All stations and offsets measured from S. Wentworth Ave. @.
- Back Face is face adjacent to Frontage Rd. and Front Face is face adjacent to Expressway.
- Concrete: f'c = 3500 psi
- Provide California Finish on top of foundation between stem and Frontage Road. See Roadway Details.
- At locations where Fluted Knee Wall abuts a rigid Structure, a 1" thick Preformed Expansion Joint Filler conforming to the shape of the Structure shall be installed between the Wall and the Structure.
- Apply Protective Coat to top and front face of stem and top of Frontage Road side of foundation.
- For Fluted Knee Wall standard details, see Sheet SD-1
- B.F. = Back Face
F.F. = Front Face
E.F. = Each Face

REVISIONS	
NAME	DATE
REVISED	3-6-08

ILLINOIS DEPARTMENT OF TRANSPORTATION
F.A.I. 94/90 (DAN RYAN EXPRESSWAY)
SOUTHBOUND KNEE WALLS (PERSHING RD TO 35TH ST)

DETAIL B & DETAIL F

SCALE: N.T.S. DRAWN BY: LAM
DATE: 03/06/08 CHECKED BY: BLU

BOWMAN, BARRETT & ASSOCIATES INC.
CONSULTING ENGINEERS
Chicago, Illinois
312.228.0100
www.bbandainc.com

W:\6600\94\90\1\32\SD5\REIN\SD5-21.DWG 3/16/2008 7:09:45 PM