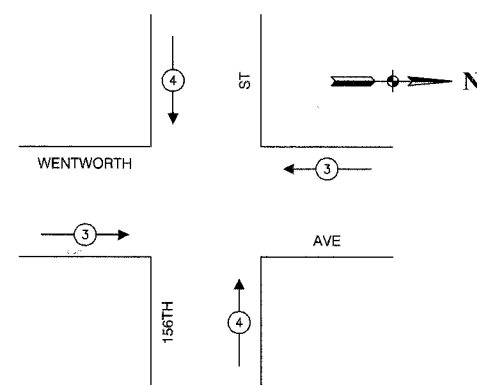
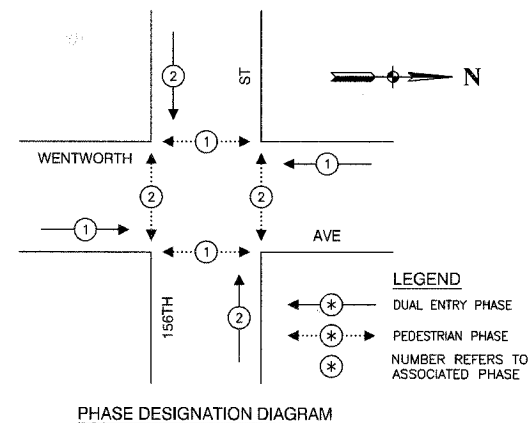


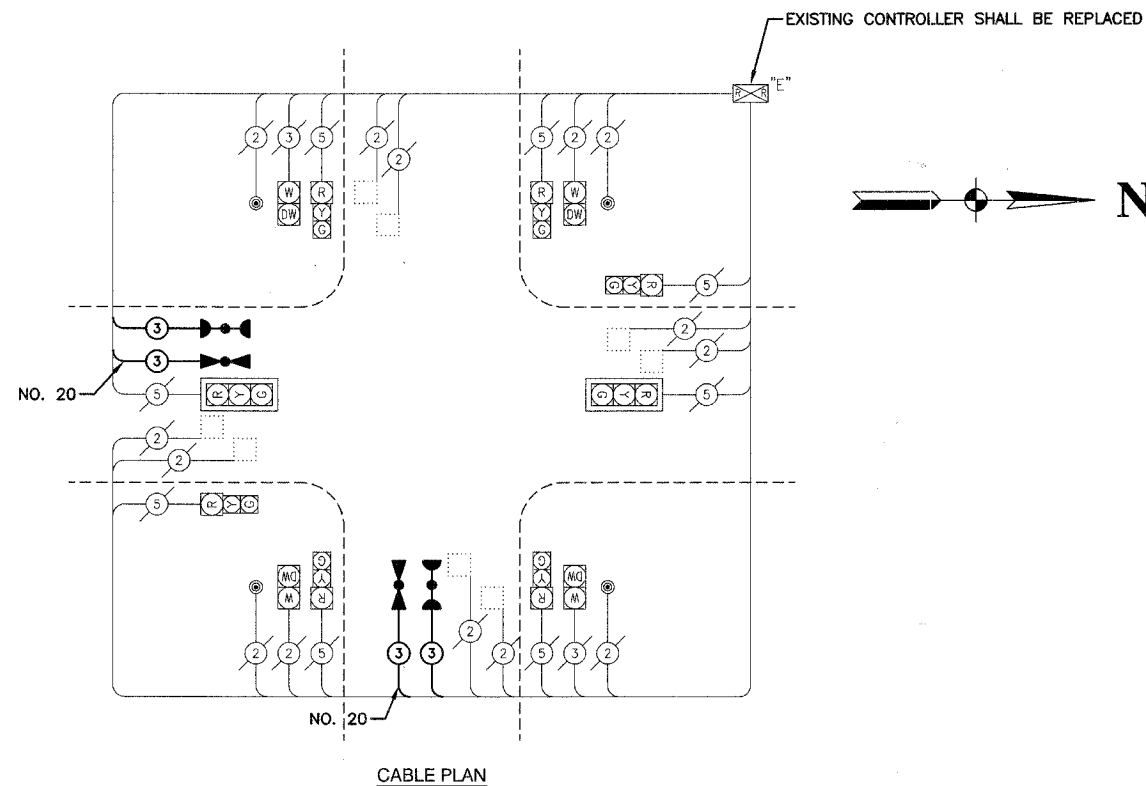
F. A. NO.	SECTION	COUNTY	TOTAL SHEETS	SHEET NO.
	08-00146-00-TL	COOK	273	024
STA.	TO STA.			
FED. ROAD DIST. NO.	ILINDS	FED. AID PROJECT		

CONTRACT NO. 63003



EMERGENCY VEHICLE PREEMPTION SEQUENCE

PROPOSED EMERGENCY VEHICLE PREEMPTORS		
EMERGENCY VEHICLE PREEMPTOR	3	4
MOVEMENT	←	↑



SCHEDULE OF QUANTITIES		
PAY ITEM	UNIT	QUANTITY
MAINTENANCE OF EXISTING TRAFFIC SIGNAL INSTALLATION	EACH	1
FULL-ACTUATED CONTROLLER AND TYPE IV CABINET, SPECIAL	EACH	1
ELECTRIC CABLE IN CONDUIT, SIGNAL NO. 14 3C	FOOT	223
TRAFFIC SIGNAL POST, GALVANIZED STEEL 18 FT.	EACH	1
INDUCTIVE LOOP DETECTOR	EACH	6
LIGHT DETECTOR	EACH	2
LIGHT DETECTOR AMPLIFIER	EACH	1
RELOCATE EXISTING SIGNAL HEAD	EACH	1
REMOVE AND REINSTALL ELECTRIC CABLE FROM CONDUIT	FOOT	15
REMOVE EXISTING TRAFFIC SIGNAL EQUIPMENT	EACH	1
ELECTRIC CABLE IN CONDUIT NO. 20 3/C, TWISTED, SHIELDED	FOOT	223

NOTE

* 1. THIS PLAN IS FOR THE PURPOSE OF INSTALLING EMERGENCY VEHICLE PREEMPTION EQUIPMENT AS SHOWN PER PLAN INDICATED IN THE SCHEDULE OF QUANTITIES. ALL OTHER EQUIPMENT SHOWN SHALL BE DISREGARDED.

CABLE PLAN LEGEND	
EXISTING	PROPOSED
[Symbol]	[Symbol] 8" TRAFFIC SIGNAL SECTION
[Symbol]	[Symbol] 12" TRAFFIC SIGNAL SECTION
[Symbol]	[Symbol] 12" PEDESTRIAN SIGNAL SECTION
[Symbol]	[Symbol] 12" PEDESTRIAN SIGNAL SECTION
[Symbol]	[Symbol] CONTROLLER CABINET
[Symbol]	[Symbol] SERVICE INSTALLATION
[Symbol]	[Symbol] TELEPHONE CONNECTION
[Symbol]	[Symbol] MAGNETIC DETECTOR
[Symbol]	[Symbol] EMERGENCY VEHICLE LIGHT DETECTOR
[Symbol]	[Symbol] CONFIRMATION BEACON
[Symbol]	[Symbol] PUSHBUTTON DETECTOR
[Symbol]	[Symbol] VEHICLE DETECTOR, INDUCTION LOOP
[Symbol]	[Symbol] DENOTES NUMBER OF CONDUCTORS.
[Symbol]	[Symbol] ALL CABLE NO. 14 EXCEPT AS INDICATED.
[Symbol]	[Symbol] ALL LOOP DETECTOR CABLE TO BE SHIELDED.
[Symbol]	[Symbol] SIGNAL FACE WITH BACKPLATE
[Symbol]	[Symbol] "P" INDICATES PROGRAMMED HEAD
[Symbol]	[Symbol] RAILROAD CONTROL CABINET
[Symbol]	[Symbol] ILLUMINATED SIGN, FIBER OPTIC "NO LEFT TURN"
[Symbol]	[Symbol] ILLUMINATED SIGN, FIBER OPTIC "NO RIGHT TURN"
[Symbol]	[Symbol] GROUND ROD AT HANDHOLE, DOUBLE HANDHOLE, OR CONTROLLER
[Symbol]	[Symbol] GROUND ROD AT POST OR MAST ARM POLE
[Symbol]	[Symbol] GROUND ROD AT ELECTRIC SERVICE INSTALLATION

CITY OF CALUMET CITY
LOCATION NO. 3

ILLINOIS DEPARTMENT OF TRANSPORTATION

PROPOSED EMERGENCY VEHICLE PREEMPTION
CABLE PLAN, PHASE DESIGNATION DIAGRAM &
SCHEDULE OF QUANTITIES
WENTWORTH AVENUE & 156TH STREET

* PLANS MODIFIED BY
ROBINSON ENGINEERING, LTD

REVISIONS	
NAME	DATE
ADDED EV PREEMPTION	01/02/08
ADDED 18 POST	
ADDED CONTROLLER	

SCALE: VERT.
HORIZ.
DATE: DRAWN BY
CHECKED BY