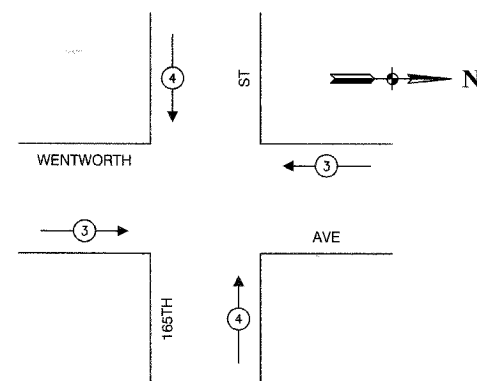
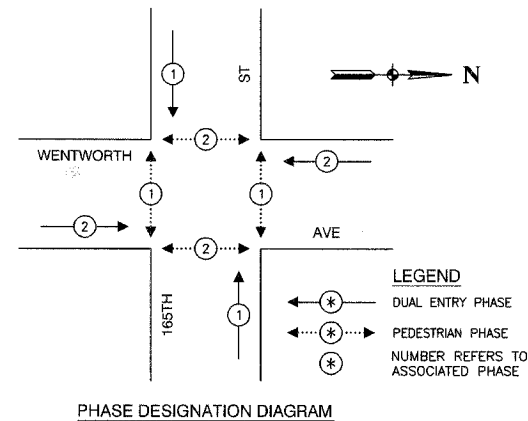


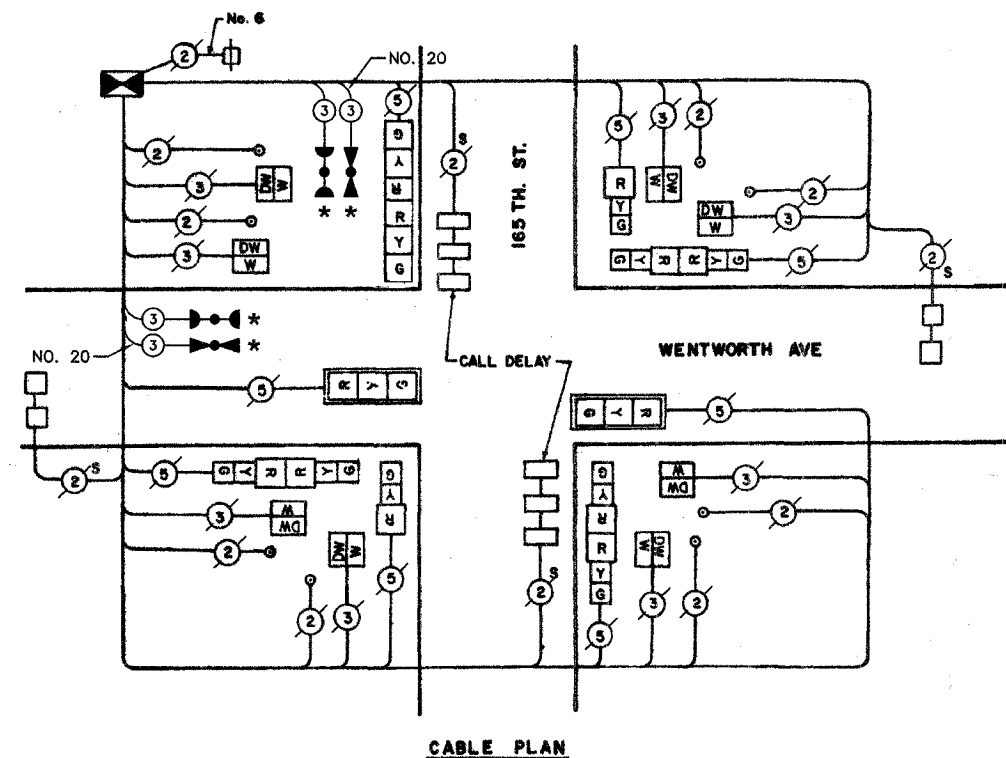
F. A. REC.	SECTION	COUNTY	TOTAL SHEETS	SHEET NO.
	08-00146-00-TL	COOK	273	028
STA.	TO STA.			
FED. ROAD DIST. NO.	ILLINOIS	FED. AID PROJECT		

CONTRACT NO. 63003



EMERGENCY VEHICLE PREEMPTION SEQUENCE

PROPOSED EMERGENCY VEHICLE PREEMPTORS		
EMERGENCY VEHICLE PREEMPTOR	3	4
MOVEMENT	← →	↑ ↓



CABLE PLAN LEGEND

EXISTING	PROPOSED	DESCRIPTION
(G)	(G)	8" TRAFFIC SIGNAL SECTION
(R)	(R)	12" TRAFFIC SIGNAL SECTION
(W)	(W)	12" PEDESTRIAN SIGNAL SECTION
(W)	(W)	12" PEDESTRIAN SIGNAL SECTION
(C)	(C)	CONTROLLER CABINET
(S)	(S)	SERVICE INSTALLATION
(T)	(T)	TELEPHONE CONNECTION
(M)	(M)	MAGNETIC DETECTOR
(E)	(E)	EMERGENCY VEHICLE LIGHT DETECTOR
(B)	(B)	CONFIRMATION BEACON
(P)	(P)	PUSHBUTTON DETECTOR
(V)	(V)	VEHICLE DETECTOR, INDUCTION LOOP
(2)	(2)	2 DENOTES NUMBER OF CONDUCTORS. ALL CABLE NO. 14 EXCEPT AS INDICATED. ALL LOOP DETECTOR CABLE TO BE SHIELDED.
(S)	(S)	SIGNAL FACE WITH BACKPLATE
(P)	(P)	"P" INDICATES PROGRAMMED HEAD
(R)	(R)	RAILROAD CONTROL CABINET
(L)	(L)	ILLUMINATED SIGN, FIBER OPTIC "NO LEFT TURN"
(R)	(R)	ILLUMINATED SIGN, FIBER OPTIC "NO RIGHT TURN"
H/C	H/C	GROUND ROD AT HANDHOLE, DOUBLE HANDHOLE, OR CONTROLLER
P	P	GROUND ROD AT POST OR MAST ARM POLE
S	S	GROUND ROD AT ELECTRIC SERVICE INSTALLATION

SCHEDULE OF QUANTITIES

PAY ITEM	UNIT	QUANTITY
MAINTENANCE OF EXISTING TRAFFIC SIGNAL INSTALLATION	EACH	1
ELECTRIC CABLE IN CONDUIT, SIGNAL NO. 14 3C	FOOT	149
TRAFFIC SIGNAL POST, GALVANIZED STEEL 18 FT.	EACH	1
LIGHT DETECTOR	EACH	2
LIGHT DETECTOR AMPLIFIER	EACH	1
RELOCATE EXISTING SIGNAL HEAD	EACH	2
RELOCATE EXISTING PEDESTRIAN SIGNAL HEAD	EACH	1
RELOCATE EXISTING PEDESTRIAN PUSH-BUTTON	EACH	1
REMOVE AND REINSTALL ELECTRIC CABLE FROM CONDUIT	FOOT	15
REMOVE EXISTING TRAFFIC SIGNAL EQUIPMENT	EACH	1
ELECTRIC CABLE IN CONDUIT NO. 20 3/C, TWISTED, SHIELDED	FOOT	149

NOTE

* 1. THIS PLAN IS FOR THE PURPOSE OF INSTALLING EMERGENCY VEHICLE PREEMPTION EQUIPMENT AS SHOWN PER PLAN INDICATED IN THE SCHEDULE OF QUANTITIES. ALL OTHER EQUIPMENT SHOWN SHALL BE DISREGARDED.

* PLANS MODIFIED BY ROBINSON ENGINEERING, LTD

REVISIONS

NAME	DATE
ADDED EV PREEMPTION	01/02/08
NEW 18' POST	

ILLINOIS DEPARTMENT OF TRANSPORTATION

PROPOSED EMERGENCY VEHICLE PREEMPTION CABLE PLAN, PHASE DESIGNATION DIAGRAM & SCHEDULE OF QUANTITIES
 WENTWORTH AVENUE & 165TH STREET

SCALE: VERT. _____ DRAWN BY _____
 HORIZ. _____ CHECKED BY _____
 DATE _____