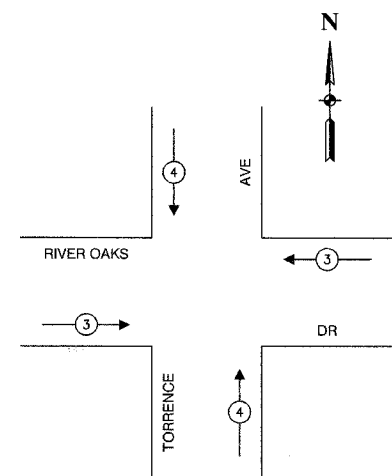
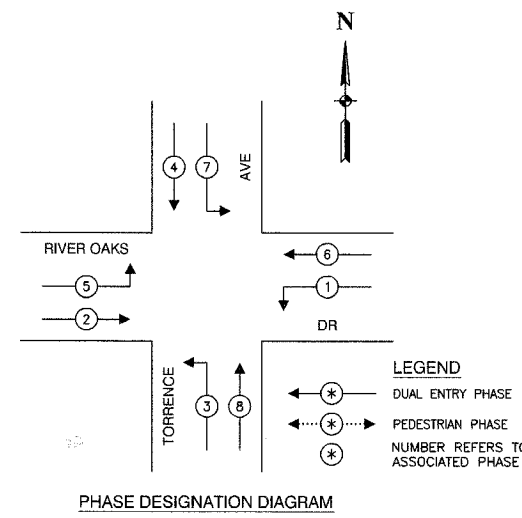
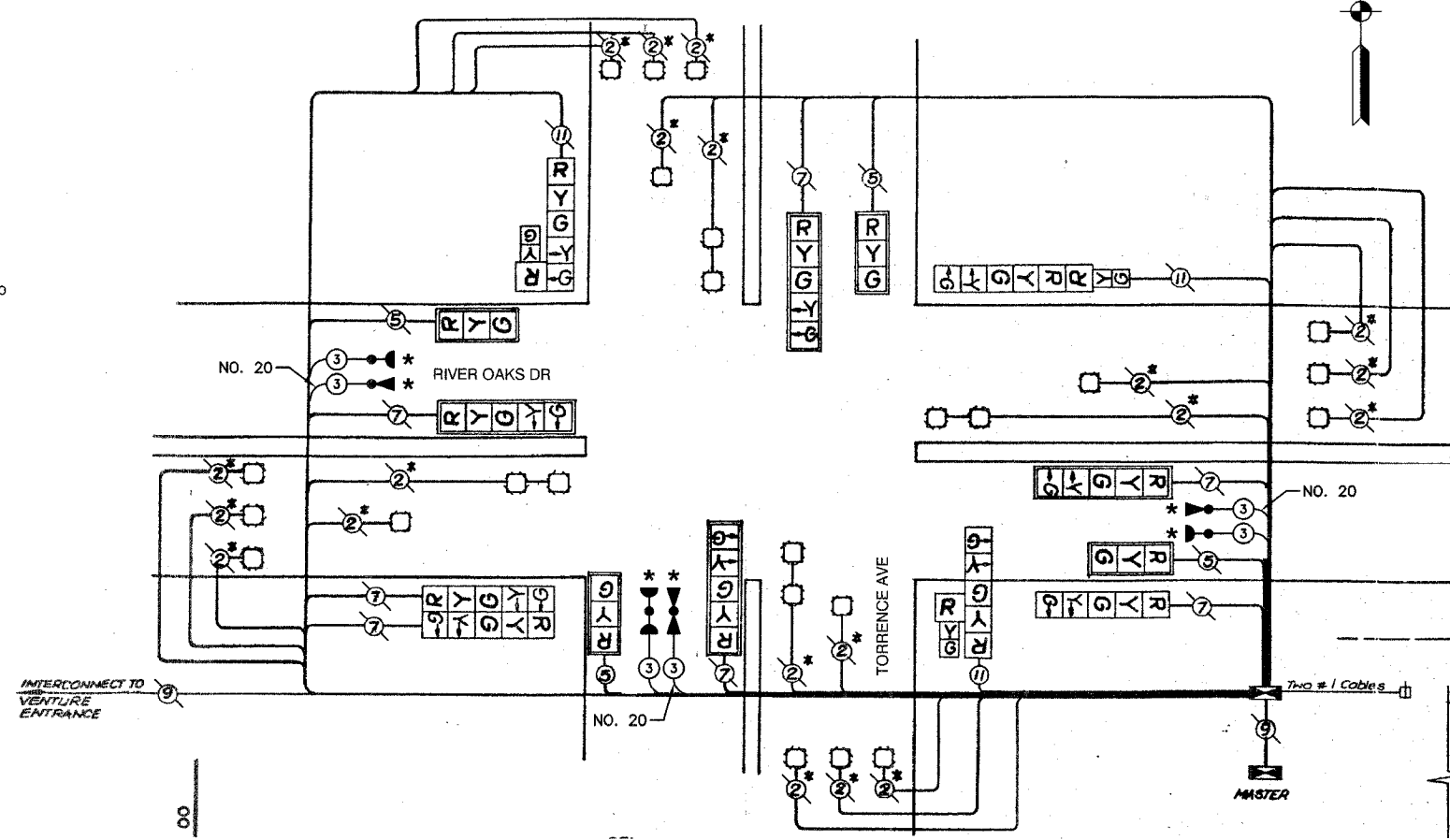


F. A. NO.	SECTION	COUNTY	TOTAL SHEETS	SHEET NO.
	08-00148-00-TL	COOK	273	046
STA.	TO STA.			
FED. ROAD DIST. NO.	ILLINOIS	FED. RD PROJECT		

CONTRACT NO. 63003



PROPOSED EMERGENCY VEHICLE PREEMPTORS		
EMERGENCY VEHICLE PREEMPTOR	3	4
MOVEMENT	←	↑



CABLE PLAN LEGEND

EXISTING	PROPOSED	DESCRIPTION
Ⓞ	Ⓞ	8" TRAFFIC SIGNAL SECTION
Ⓡ	Ⓡ	12" TRAFFIC SIGNAL SECTION
Ⓦ	Ⓦ	12" PEDESTRIAN SIGNAL SECTION
Ⓢ	Ⓢ	12" PEDESTRIAN SIGNAL SECTION
Ⓜ	Ⓜ	CONTROLLER CABINET
Ⓜ	Ⓜ	SERVICE INSTALLATION
Ⓜ	Ⓜ	TELEPHONE CONNECTION
Ⓜ	Ⓜ	MAGNETIC DETECTOR
Ⓜ	Ⓜ	EMERGENCY VEHICLE LIGHT DETECTOR
Ⓜ	Ⓜ	CONFIRMATION BEACON
Ⓜ	Ⓜ	PUSHBUTTON DETECTOR
Ⓜ	Ⓜ	VEHICLE DETECTOR, INDUCTION LOOP
Ⓜ	Ⓜ	DENOTES NUMBER OF CONDUCTORS. ALL CABLE NO. 14 EXCEPT AS INDICATED. ALL LOOP DETECTOR CABLE TO BE SHIELDED.
Ⓜ	Ⓜ	SIGNAL FACE WITH BACKPLATE
Ⓜ	Ⓜ	"P" INDICATES PROGRAMMED HEAD
Ⓜ	Ⓜ	RAILROAD CONTROL CABINET
Ⓜ	Ⓜ	ILLUMINATED SIGN, FIBER OPTIC "NO LEFT TURN"
Ⓜ	Ⓜ	ILLUMINATED SIGN, FIBER OPTIC "NO RIGHT TURN"
H/C	H/C	GROUND ROD AT HANDHOLE, DOUBLE HANDHOLE, OR CONTROLLER
P	P	GROUND ROD AT POST OR MAST ARM POLE
S	S	GROUND ROD AT ELECTRIC SERVICE INSTALLATION

SCHEDULE OF QUANTITIES

PAY ITEM	UNIT	QUANTITY
MAINTENANCE OF EXISTING TRAFFIC SIGNAL INSTALLATION	EACH	1
ELECTRIC CABLE IN CONDUIT, SIGNAL NO. 14 3C	FOOT	703
LIGHT DETECTOR	EACH	3
LIGHT DETECTOR AMPLIFIER	EACH	1
ELECTRIC CABLE IN CONDUIT NO. 20 3/C, TWISTED, SHIELDED	FOOT	703

NOTE
 * 1. THIS PLAN IS FOR THE PURPOSE OF INSTALLING EMERGENCY VEHICLE PREEMPTION EQUIPMENT AS SHOWN PER PLAN INDICATED IN THE SCHEDULE OF QUANTITIES. ALL OTHER EQUIPMENT SHOWN SHALL BE DISREGARDED.

* PLANS MODIFIED BY ROBINSON ENGINEERING, LTD.

REVISIONS	
NAME	DATE
* ADDED EV PREEMPTION	01/02/08

**CITY OF CALUMET CITY
 LOCATION NO. 14**

ILLINOIS DEPARTMENT OF TRANSPORTATION

**PROPOSED EMERGENCY VEHICLE PREEMPTION
 CABLE PLAN, PHASE DESIGNATION DIAGRAM &
 SCHEDULE OF QUANTITIES
 TORRENCE AVENUE & RIVER OAKS DRIVE**

SCALE: VERT. _____
 HORIZ. _____

DATE _____ DRAWN BY _____
 CHECKED BY _____