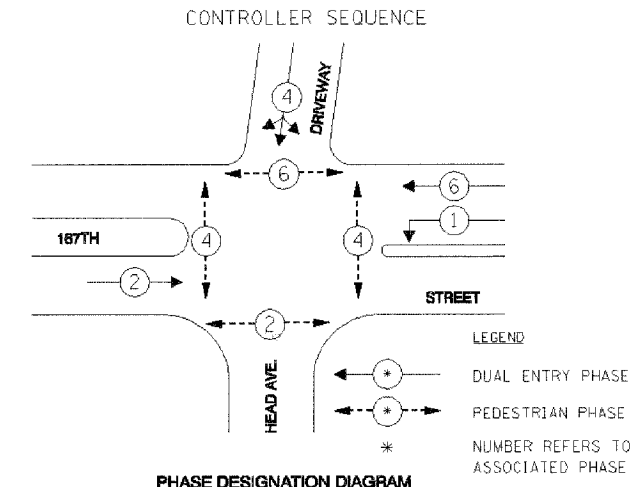


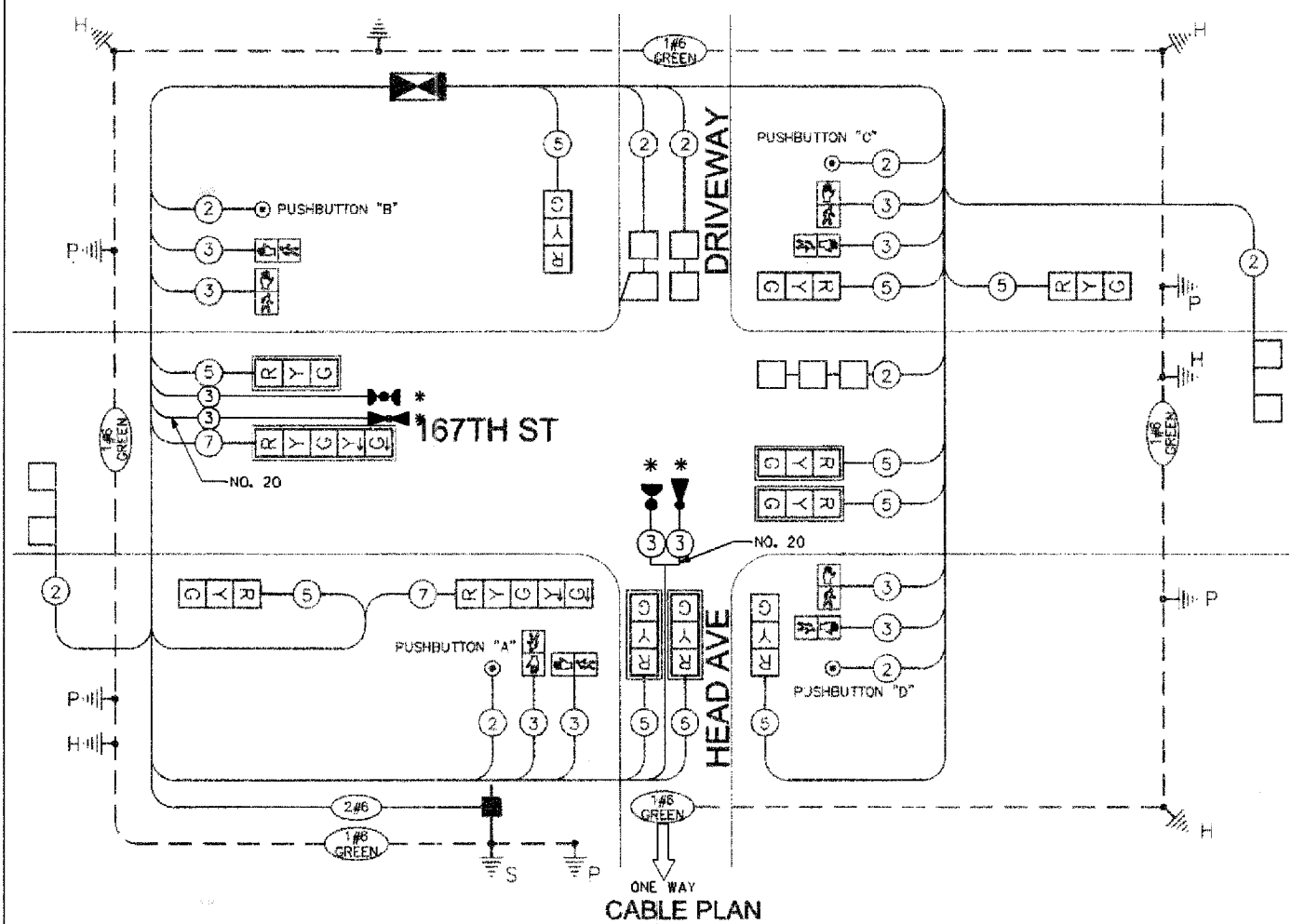
RTE.	SECTION	COUNTY	TOTAL SHEETS	SHEET NO.
08-000146-00-TL		COOK		137
STA.	TO STA.			
FED. ROAD DIST. NO.	ILLINOIS	FED. AID PROJECT		
CONTRACT NO. 63003				

CABLE PLAN LEGEND	PROPOSED	EXISTING
TRAFFIC SIGNAL CONTROLLER		
EXISTING TRAFFIC SIGNAL CONTROLLER		
INTERSECTION & SAMPLING (SYSTEM) DETECTORS		
TRAFFIC SIGNAL CABLE NUMBER		
LOOP DETECTOR CABLE		
TRAFFIC SIGNAL DETAIL WALK SYMBOL		
TRAFFIC SIGNAL DETAIL BACKPLATE		
TRAFFIC SIGNAL DETAIL LEFT TURN GREEN		
TRAFFIC SIGNAL DETAIL LEFT TURN YELLOW		
TRAFFIC SIGNAL DETAIL WALK DW LETTERS		
TRAFFIC SIGNAL PRIORITY VEHICLE DETECTOR		
TRAFFIC SIGNAL CONFIRMATION BEACON		
TRAFFIC SIGNAL PEDESTRIAN PUSH BUTTON		
TELEPHONE CONNECTION		
GROUNDING SYSTEM CONNECTION		



**EMERGENCY VEHICLE PREEMPTION SEQUENCE**

PROPOSED EMERGENCY VEHICLE PREEMPTORS		
EMERGENCY VEHICLE PREEMPTOR	3	4
MOVEMENT		



SCHEDULE OF QUANTITIES		
PAY ITEM	UNIT	QUANTITY
MAINTENANCE OF EXISTING TRAFFIC SIGNAL INSTALLATION	EACH	1
ELECTRIC CABLE IN CONDUIT, SIGNAL NO. 14 3C	FOOT	320
LIGHT DETECTOR	EACH	2
LIGHT DETECTOR AMPLIFIER	EACH	1
ELECTRIC CABLE IN CONDUIT NO. 20 3/C, TWISTED, SHIELDED	FOOT	320

**NOTE**  
 \* THIS PLAN IS FOR THE PURPOSE OF INSTALLING EMERGENCY VEHICLE PREEMPTION EQUIPMENT AS SHOWN PER PLAN INDICATED IN THE SCHEDULE OF QUANTITIES. ALL OTHER EQUIPMENT SHOWN SHALL BE DISREGARDED.

**Globetrotters®**  
 Engineering Corporation  
 ENGINEERS ARCHITECTS  
 300 South Wacker Drive  
 Chicago, Illinois 60606

REVISIONS	
NAME	DATE
ADDED EV PREEMPTION	01/02/08

**VILLAGE OF HAZEL CREST  
 LOCATION NO. 58**

ILLINOIS DEPARTMENT OF TRANSPORTATION  
 PROPOSED EMERGENCY VEHICLE PREEMPTION  
 CABLE PLAN, PHASE DESIGNATION DIAGRAM &  
 SCHEDULE OF QUANTITIES  
 167TH STREET & HEAD AVENUE  
 HAZEL CREST, ILLINOIS

SCALE: VERT. N.T.S.  
 HORIZ. N.T.S.

DRAWN BY SL  
 CHECKED BY CT