







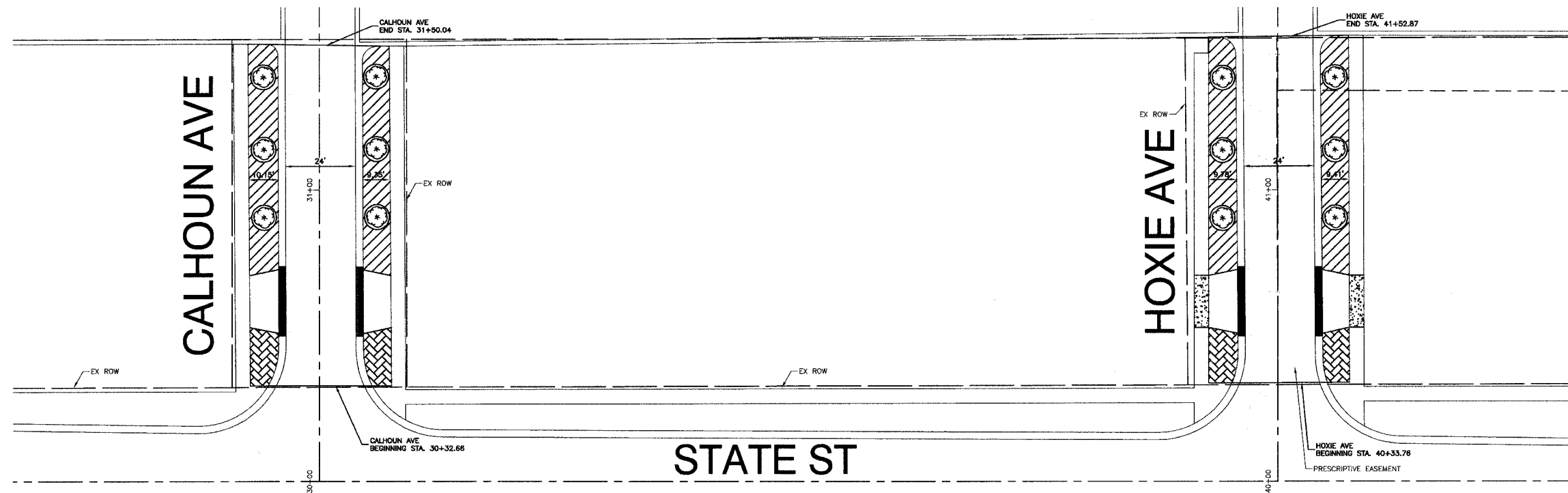
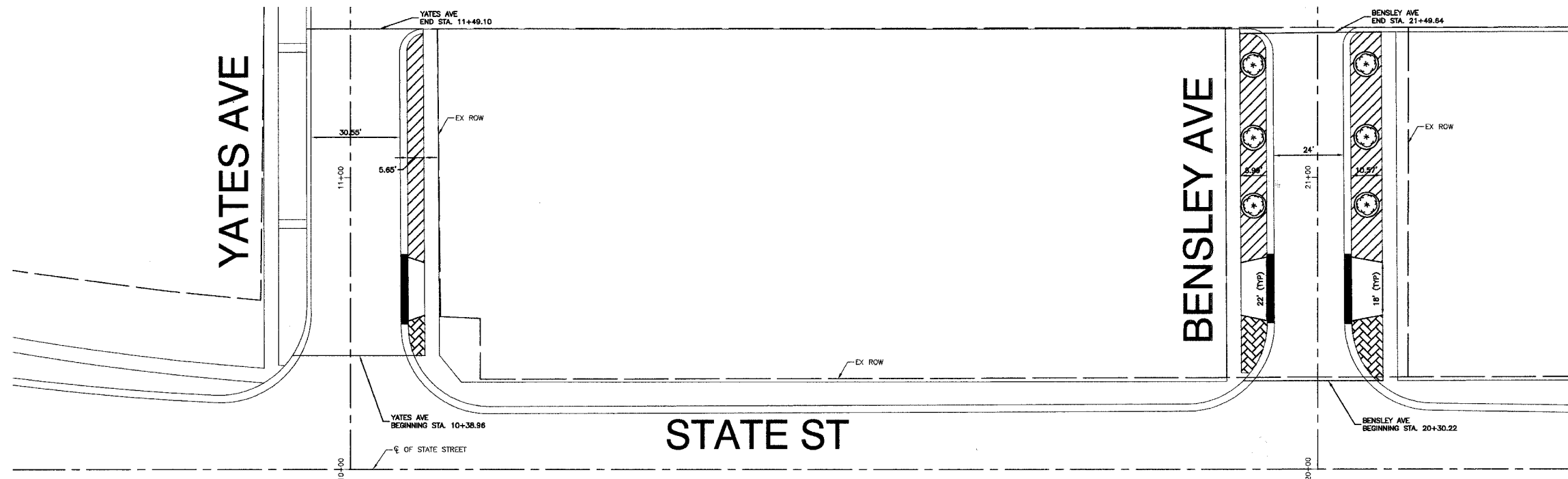
F.A. R.E.	SECTION	COUNTY	TOTAL SHEETS	SHEET NO.
3596	06-00031-00-LS	COOK	5	5
STA.	TO STA.			
FED. ROAD DIST. NO.	ILLINOIS	FED. AID PROJECT		

CONTRACT # 63025



LEGEND

-  HOT MIX ASPHALT DRIVEWAY REMOVAL AND REPLACEMENT
-  PARKWAY REMOVAL AND REPLACEMENT, 3" HMA PAVEMENT TEXTURING
-  COAL TAR SEAL COAT WITH CRACK FILLER
-  PAVEMENT REMOVAL (SPECIAL), GREENSPIRE LITTLE LEAF LINDEN WITH MULCH, SURROUNDED BY CONCRETE CURB, TYPE B (5" DIA)
-  SIDEWALK REMOVAL PORTLAND CEMENT CONCRETE SIDEWALK, 7"
-  CURB CUT



REVISIONS	
NAME	DATE

ILLINOIS DEPARTMENT OF TRANSPORTATION

**SCENIC BEAUTIFICATION
AT STATE STREET
FROM YATES TO HOXIE AVENUE**

SCALE: VERT. 1"=20'
HORIZ. 1"=20'

DATE 12-14-07

DRAWN BY JZ/EDG
CHECKED BY DWS