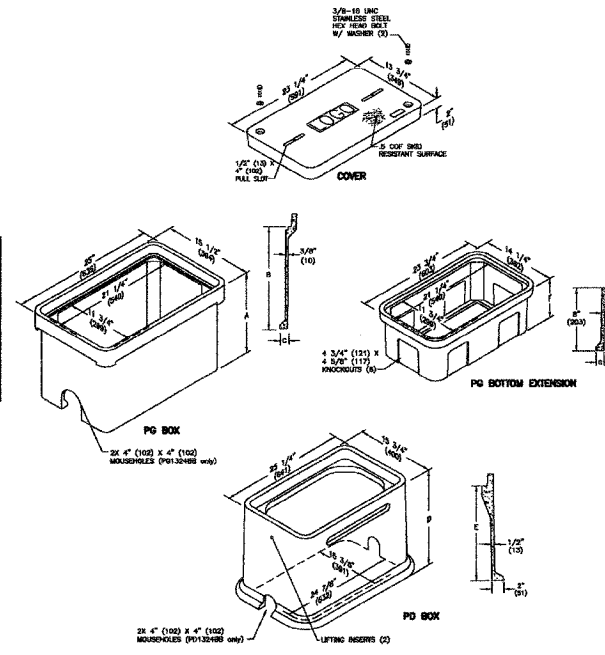


SPECIFICATIONS/DATA

13" x 24" PG Style (Stackable) Assembly and 13" x 24" PD Style Assembly



SEPTEMBER 2007

QUAZITE BRAND OR AN APPROVED EQUAL

SPECIFICATIONS/DATA

13" x 24" PG Style (Stackable) Assembly and 13" x 24" PD Style Assembly

Covers (Blank unless logo is specified)

DESCRIPTION	PART NO.	WEIGHT #	DESIGN/TEST LOAD #	ANSI TIER
W/2 Bolt	PG1324C400	33 (15 kg)	8,000 / 12,000	8
Galvanized W/2 Bolt	PG1324C200	33 (15 kg)	8,000 / 12,000	8
No Bolt	PG1324W400	33 (15 kg)	8,000 / 12,000	8
Heavy Duty W/2 Bolt	PG1324H400	51 (23 kg)	15,000 / 22,500	15
Galvanized Heavy Duty W/2 Bolt	PG1324H200	51 (23 kg)	15,000 / 22,500	15
Extra Heavy Duty W/2 Bolt	PG1324E400	54 (24 kg)	22,500 / 33,750	22

PG Boxes (Stackable with self-aligning, replaceable EZ fit)

DESCRIPTION	PART NO.	WEIGHT #	DIMENSION A	DIMENSION B	DIMENSION C	DESIGN/TEST LOAD #	ANSI TIER
Open Bottom	PG1324A12	53 (24 kg)	12" (305 mm)	10" (254 mm)	1 1/4" (32 mm)	22,500 / 33,750	22
Open Bottom	PG1324A18	72 (33 kg)	18" (457 mm)	10" (254 mm)	1 1/4" (32 mm)	22,500 / 33,750	22
Open Bottom	PG1324B12	48 (22.2 kg)	12" (305 mm)	10" (254 mm)	1 1/4" (32 mm)	22,500 / 33,750	22
W/2 Mouseholes	PG1324B18	68 (31 kg)	18" (457 mm)	10" (254 mm)	1 1/4" (32 mm)	22,500 / 33,750	22
Solid Bottom	PG1324A12	85 (38.5 kg)	12 1/2" (318 mm)	10" (254 mm)	N/A	22,500 / 33,750	22
Solid Bottom	PG1324A18	85 (39 kg)	18 1/2" (470 mm)	10" (254 mm)	N/A	22,500 / 33,750	22

PD Boxes

DESCRIPTION	PART NO.	WEIGHT #	DIMENSION D	DIMENSION E	DESIGN/TEST LOAD #	ANSI TIER
Open Bottom	PD1324A18	104 (47 kg)	18" (457 mm)	10" (254 mm)	22,500 / 33,750	22
Open Bottom	PD1324A24	133 (60 kg)	24" (609 mm)	10" (254 mm)	22,500 / 33,750	22
Open Bottom	PD1324B18	102 (46 kg)	18" (457 mm)	10" (254 mm)	22,500 / 33,750	22
W/2 Mouseholes	PD1324B24	131 (59 kg)	24" (609 mm)	10" (254 mm)	22,500 / 33,750	22
Open Bottom	PD1324C18	104 (47 kg)	18" (457 mm)	10" (254 mm)	22,500 / 33,750	22
W/2 Mouseholes	PD1324C24	133 (60 kg)	24" (609 mm)	10" (254 mm)	22,500 / 33,750	22

Extensions (For use under box only, one per box)

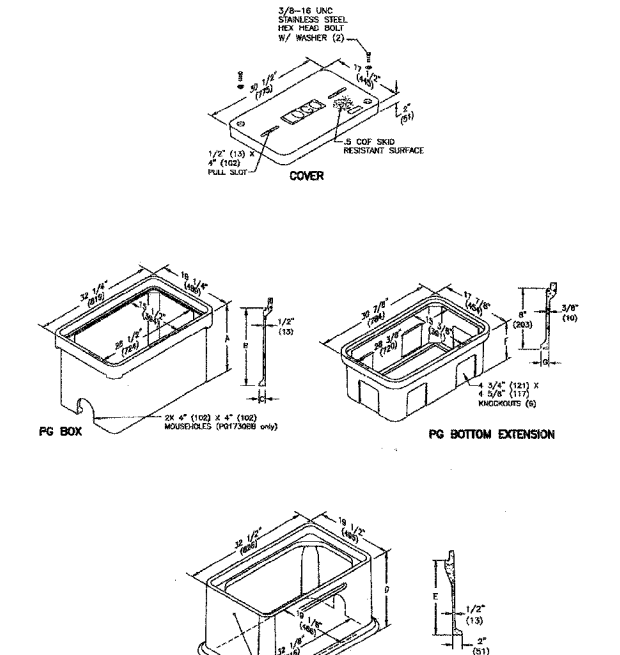
DESCRIPTION	PART NO.	WEIGHT #	DIMENSION F	DIMENSION G	DESIGN/TEST LOAD #	ANSI TIER
Open Bottom	PG1324EA05	25 (11.3 kg)	8 3/4" (222 mm)	1" (25 mm)	22,500 / 33,750	22
Solid Bottom	PG1324EA08	35 (15.8 kg)	9 1/4" (235 mm)	N/A	22,500 / 33,750	22

SEPTEMBER 2007

QUAZITE BRAND OR AN APPROVED EQUAL

SPECIFICATIONS/DATA

17" x 30" PG Style (Stackable) Assembly and 17" x 30" PD Style Assembly



SEPTEMBER 2007

QUAZITE BRAND OR AN APPROVED EQUAL

SPECIFICATIONS/DATA

17" x 30" PG Style (Stackable) Assembly and 17" x 30" PD Style Assembly

Covers (Blank unless logo is specified)

DESCRIPTION	PART NO.	WEIGHT #	DESIGN/TEST LOAD #	ANSI TIER
W/2 Bolt	PG1730C400	52 (23.8 kg)	8,000 / 12,000	8
Galvanized W/2 Bolt	PG1730C200	52 (23.8 kg)	8,000 / 12,000	8
No Bolt	PG1730W400	52 (23.8 kg)	8,000 / 12,000	8
Heavy Duty W/2 Bolt	PG1730H400	83 (37.6 kg)	15,000 / 22,500	15
Galvanized Heavy Duty W/2 Bolt	PG1730H200	83 (37.6 kg)	15,000 / 22,500	15
Extra Heavy Duty W/2 Bolt	PG1730E400	85 (37.6 kg)	22,500 / 33,750	22

PG Boxes (Stackable with self-aligning, replaceable EZ fit) **22" - 30" Deep boxes must be used on bottom of any stack.

DESCRIPTION	PART NO.	WEIGHT #	DIMENSION A	DIMENSION B	DIMENSION C	DESIGN/TEST LOAD #	ANSI TIER
Open Bottom	PG1730A12	67 (30.4 kg)	12" (305 mm)	10" (254 mm)	1 1/4" (32 mm)	22,500 / 33,750	22
Open Bottom	PG1730A18	94 (42.9 kg)	18" (457 mm)	10" (254 mm)	1 1/4" (32 mm)	22,500 / 33,750	22
Open Bottom	PG1730A24	122 (55.3 kg)	24" (610 mm)	10" (254 mm)	1 1/4" (32 mm)	22,500 / 33,750	22
Open Bottom	PG1730B12	128 (57.7 kg)	12" (305 mm)	20" (508 mm)	1 1/4" (32 mm)	22,500 / 33,750	22
Open Bottom	PG1730B18	144 (65.3 kg)	18" (457 mm)	20" (508 mm)	1 1/4" (32 mm)	22,500 / 33,750	22
Open Bottom	PG1730B24	160 (72.6 kg)	24" (610 mm)	20" (508 mm)	1 1/4" (32 mm)	22,500 / 33,750	22
Open Bottom	PG1730C12	81 (36.8 kg)	12" (305 mm)	10" (254 mm)	1 1/4" (32 mm)	22,500 / 33,750	22
Open Bottom	PG1730C18	92 (41.7 kg)	18" (457 mm)	10" (254 mm)	1 1/4" (32 mm)	22,500 / 33,750	22
Open Bottom	PG1730C24	124 (56.2 kg)	24" (610 mm)	10" (254 mm)	1 1/4" (32 mm)	22,500 / 33,750	22
Open Bottom	PG1730D12	128 (57.7 kg)	12" (305 mm)	20" (508 mm)	1 1/4" (32 mm)	22,500 / 33,750	22
Open Bottom	PG1730D18	144 (65.3 kg)	18" (457 mm)	20" (508 mm)	1 1/4" (32 mm)	22,500 / 33,750	22
Open Bottom	PG1730D24	160 (72.6 kg)	24" (610 mm)	20" (508 mm)	1 1/4" (32 mm)	22,500 / 33,750	22
Open Bottom	PG1730E12	132 (60 kg)	12 1/2" (318 mm)	10" (254 mm)	N/A	22,500 / 33,750	22
Open Bottom	PG1730E18	142 (64.4 kg)	18 1/2" (470 mm)	10" (254 mm)	N/A	22,500 / 33,750	22
Open Bottom	PG1730E24	152 (68.8 kg)	24 1/2" (617 mm)	10" (254 mm)	N/A	22,500 / 33,750	22
Open Bottom	PG1730A30	150 (68.0 kg)	30 1/2" (775 mm)	10" (254 mm)	N/A	22,500 / 33,750	22

PD Boxes

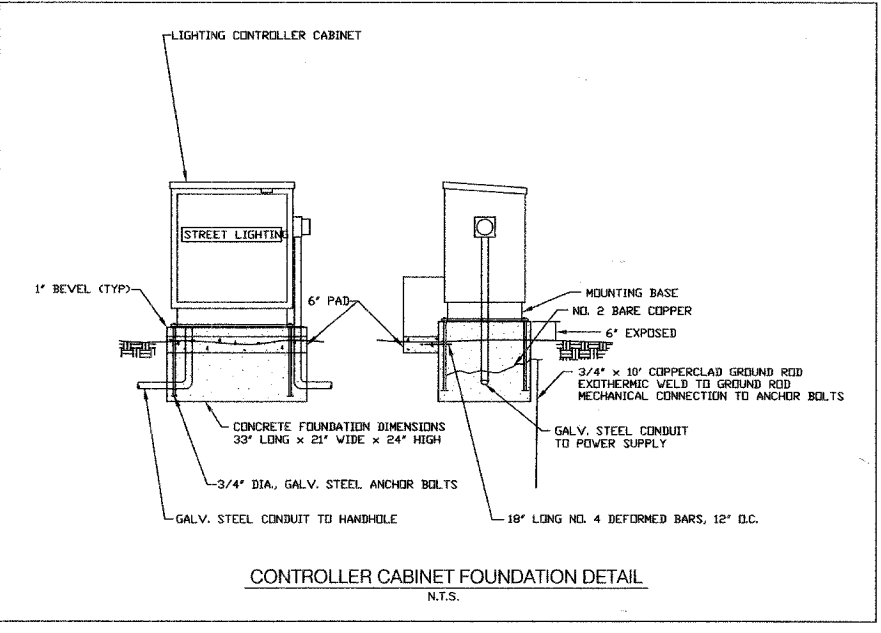
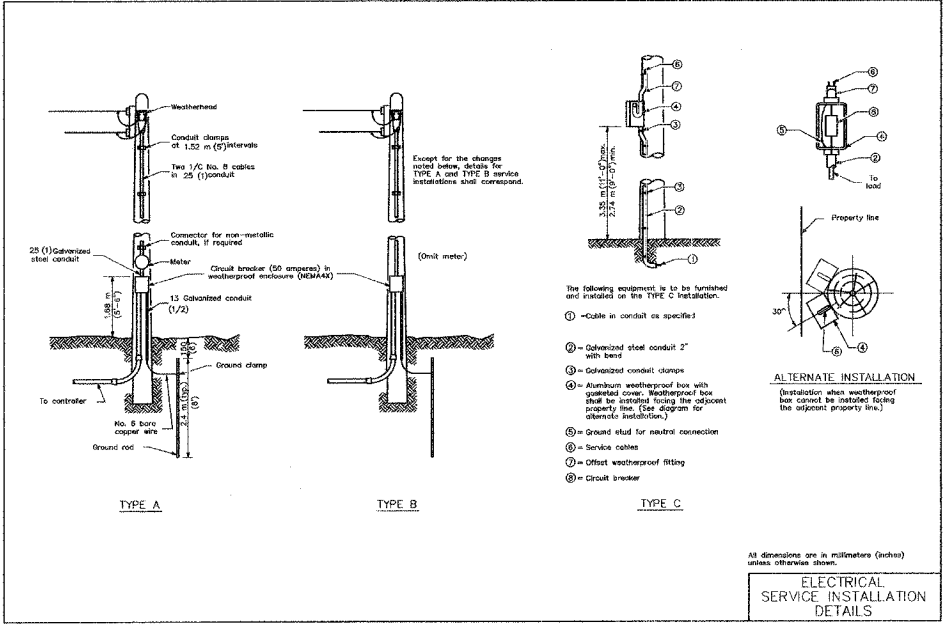
DESCRIPTION	PART NO.	WEIGHT #	DIMENSION D	DIMENSION E	DESIGN/TEST LOAD #	ANSI TIER
Open Bottom	PD1730A18	128 (57.7 kg)	18" (457 mm)	10" (254 mm)	22,500 / 33,750	22
Open Bottom	PD1730A24	160 (72.6 kg)	24" (610 mm)	10" (254 mm)	22,500 / 33,750	22
Open Bottom	PD1730B18	127 (56 kg)	18" (457 mm)	10" (254 mm)	22,500 / 33,750	22
Open Bottom	PD1730B24	164 (74 kg)	24" (610 mm)	10" (254 mm)	22,500 / 33,750	22
Open Bottom	PD1730C18	130 (59 kg)	18" (457 mm)	10" (254 mm)	22,500 / 33,750	22
Open Bottom	PD1730C24	166 (75 kg)	24" (610 mm)	10" (254 mm)	22,500 / 33,750	22

Extensions (For use under 12" and 18" Deep boxes only, one per box)

DESCRIPTION	PART NO.	WEIGHT #	DIMENSION F	DIMENSION G	DESIGN/TEST LOAD #	ANSI TIER
Open Bottom	PG1730EA05	35 (15.8 kg)	8 3/4" (222 mm)	1" (25 mm)	22,500 / 33,750	22
Solid Bottom	PG1730EA08	55 (24.9 kg)	9 1/4" (235 mm)	N/A	22,500 / 33,750	22

SEPTEMBER 2007

QUAZITE BRAND OR AN APPROVED EQUAL



REVISIONS	
NAME	DATE
DOT COMMENTS	3/27/07

ILLINOIS DEPARTMENT OF TRANSPORTATION
F.A.U.
YORK ROAD

LIGHTING DETAILS

SCALE: NTS
DATE: 12/22/07

DRAWN BY: BCD
CHECKED BY: JDM