

F.A.U. RTE.	SECTION	COUNTY	TOTAL SHEETS	SHEET NO.
267B	08-00169-00-LT	DuPAGE	39	23
STA.	TO STA.			
FED. ROAD DIST. NO.	ILLINOIS	FED. AID PROJECT		
CONTRACT NO. 63027				

LAKOTA
THE LAKOTA GROUP INC
212 West Kinzie Street, 3rd Floor
Chicago, Illinois 60611
P 312.467.544E
F 312.467.5484
info@thelakotagroup.com

Planning
Urban Design
Landscape Architecture
Community Relations

CITY CENTRE PLAZA
Elmhurst, Illinois

City of Elmhurst

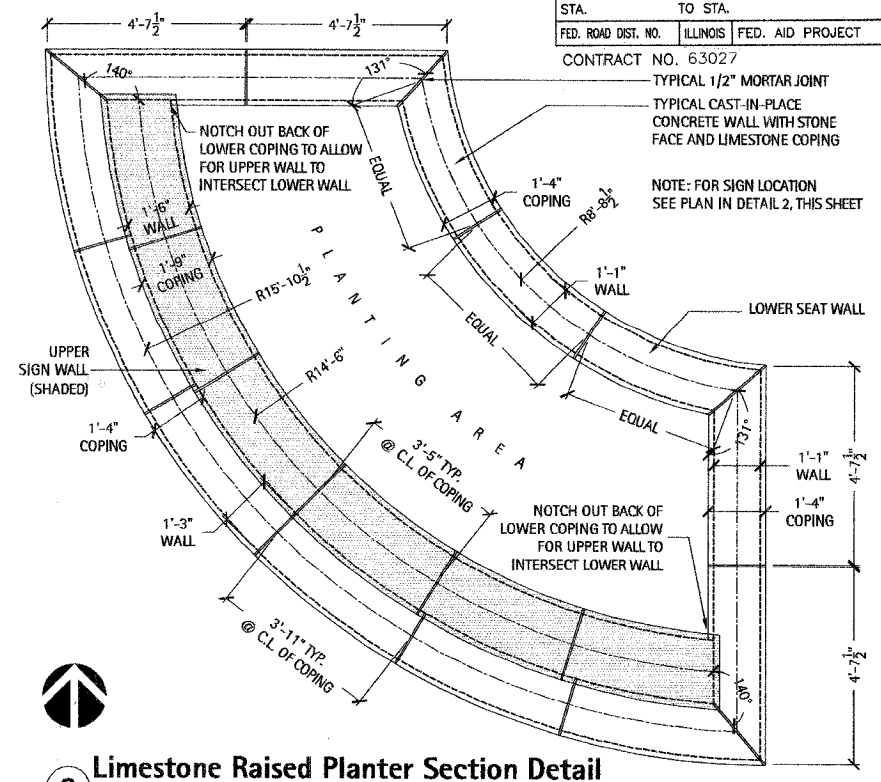
ISSUED FOR BID



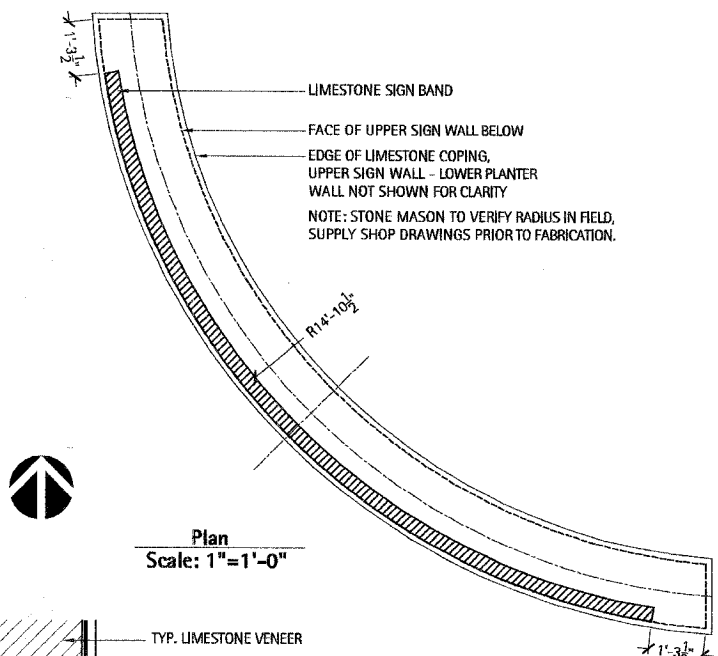
WALL AND SIGN DETAILS

Revisions	
Issued for Bid	02/22/08
Date:	02/22/08
Drawn By:	MR, DS
Checked By:	ME

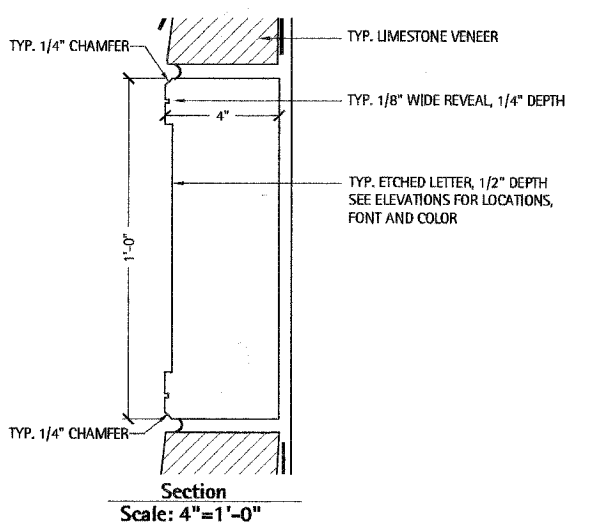
L-05



3 Limestone Raised Planter Section Detail
Scale: 1"=1'-0"

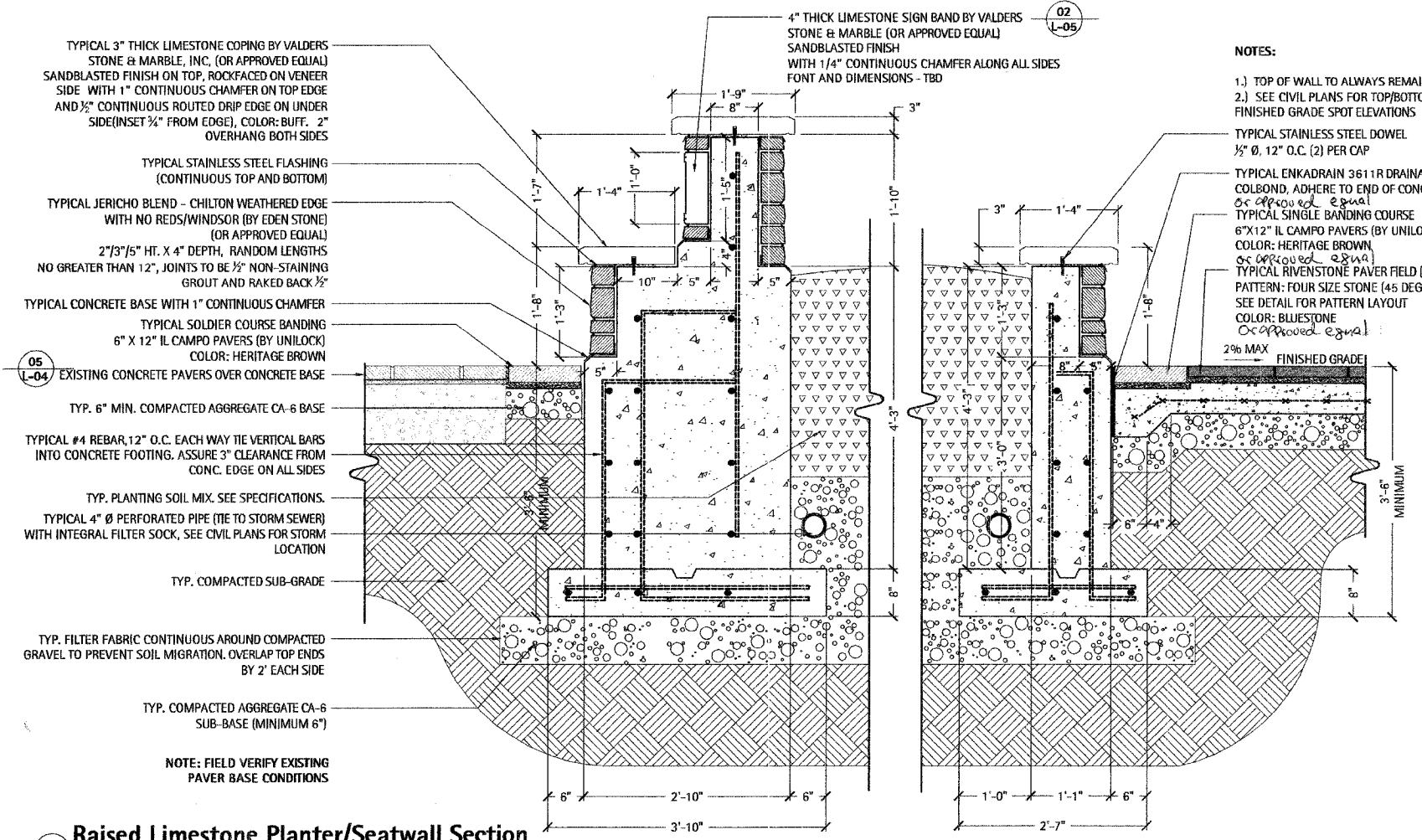


Plan
Scale: 1"=1'-0"

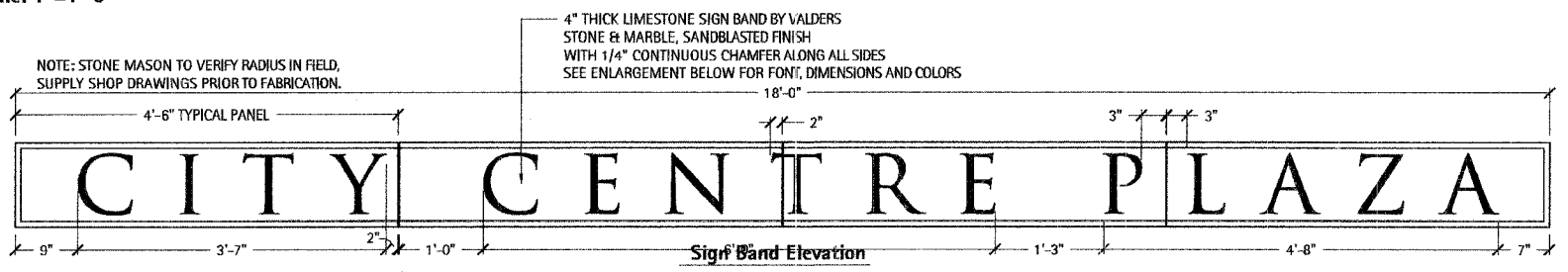


Section
Scale: 4"=1'-0"

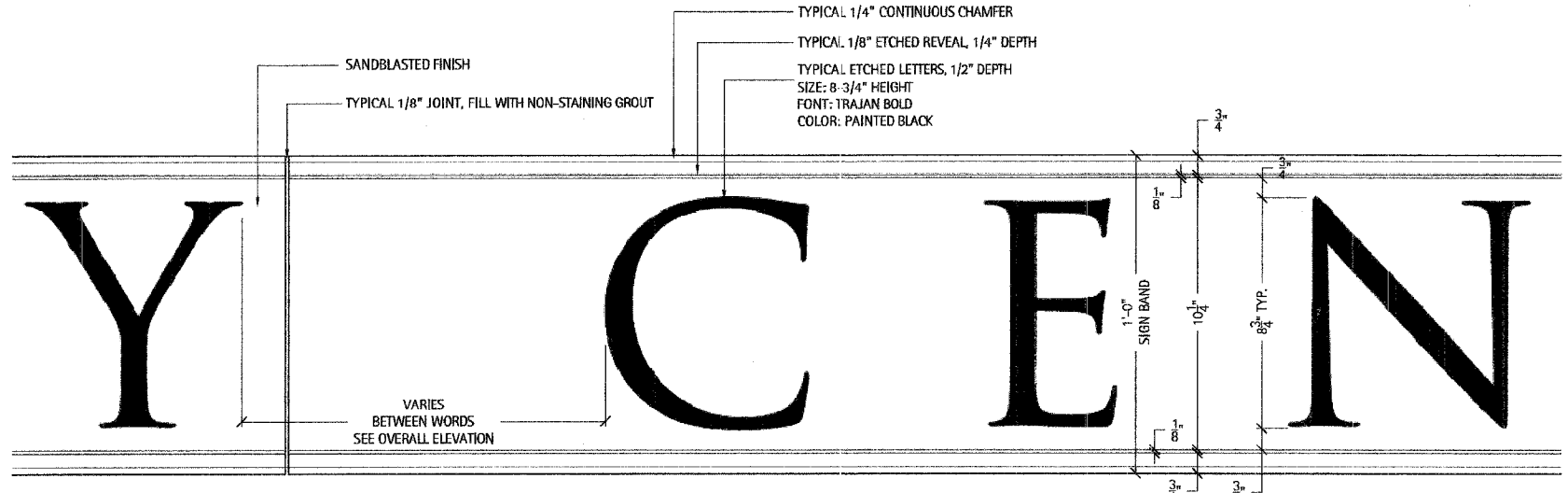
- NOTES:**
- 1.) TOP OF WALL TO ALWAYS REMAIN LEVEL
 - 2.) SEE CIVIL PLANS FOR TOP/BOTTOM OF WALL AND FINISHED GRADE SPOT ELEVATIONS
- TYPICAL STAINLESS STEEL DOWEL 1/2" Ø, 12" O.C. (2) PER CAP
 - TYPICAL ENKADRAIN 3611R DRAINAGE FABRIC BY COLBOND, ADHERE TO END OF CONCRETE SLAB OR APPROVED EQUAL
 - TYPICAL SINGLE BANDING COURSE 6" X 12" IL CAMPO PAVERS (BY UNILOCK) COLOR: HERITAGE BROWN OR APPROVED EQUAL
 - TYPICAL RIVENSTONE PAVES FIELD (BY UNILOCK) PATTERN: FOUR SIZE STONE (45 DEGREE) SEE DETAIL FOR PATTERN LAYOUT COLOR: BLUESTONE OR APPROVED EQUAL



1 Raised Limestone Planter/Seatwall Section
Scale: 1"=1'-0"



Scale: 1"=1'-0"



Sign Band Enlargement
Scale: 4"=1'-0"

2 Limestone 'City Centre' Sign Band
As Shown