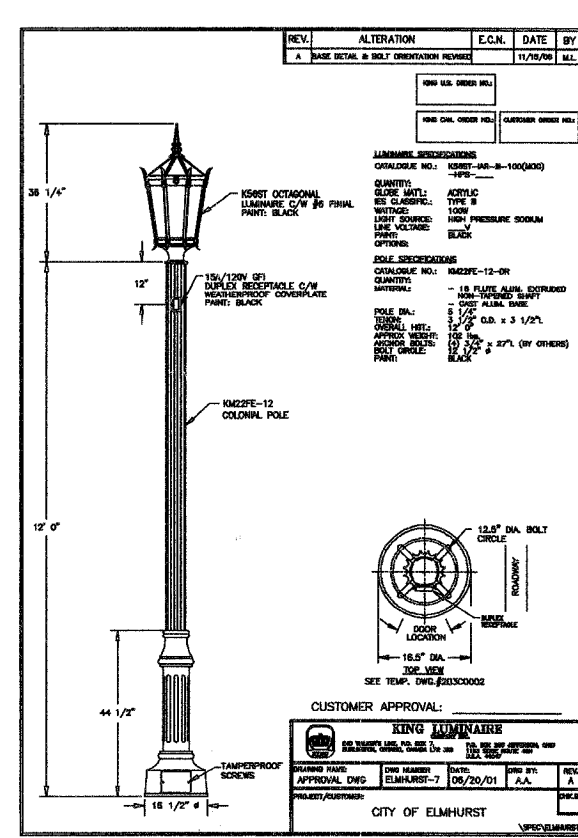
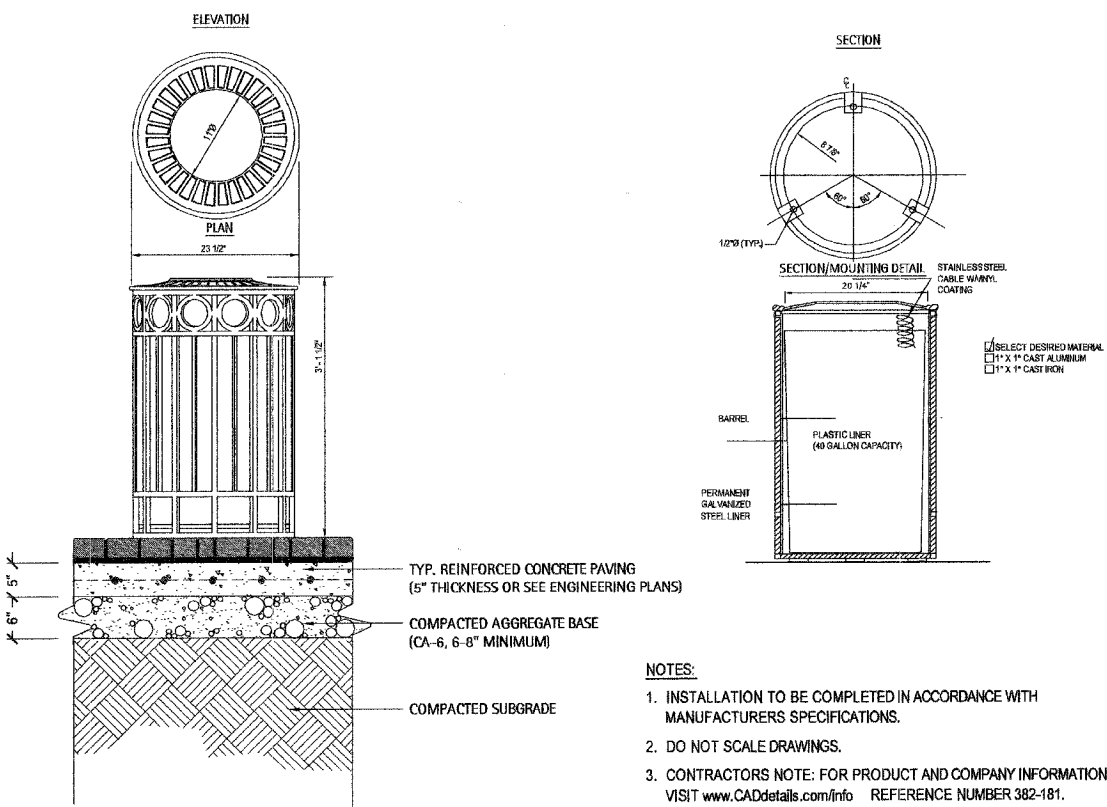


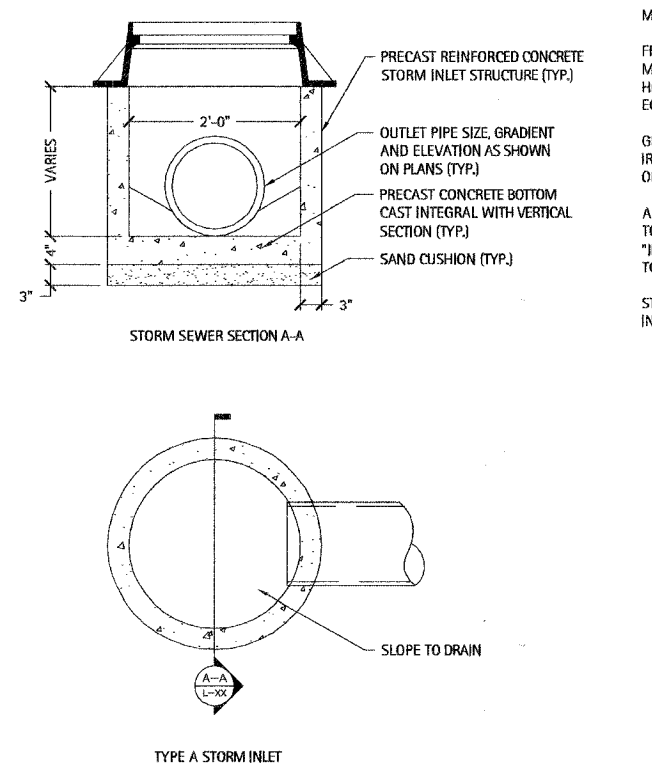
1 City Standard Bench
Scale: NTS



3 City Standard Light
Scale: NTS



2 City Standard Trash Receptacle
Scale: NTS



4 Typical Storm Sewer
Scale: NTS

F.A.U. RTE.	SECTION	COUNTY	TOTAL SHEETS	SHEET NO.
2678	08-00169-00-LT	DuPAGE	39	26
STA. TO STA.		ILLINOIS FED. AID PROJECT		
CONTRACT NO. 63027				

LAKOTA
THE LAKOTA GROUP INC
212 West Kinzie Street, 3rd Floor
Chicago, Illinois 60610
p 312.467.5445
f 312.467.5484
info@thelakotagroup.com

Planning
Urban Design
Landscape Architecture
Community Relations

CITY CENTRE PLAZA
Elmhurst, Illinois

City of Elmhurst

ISSUED FOR BID



SITE FURNITURE/ GENERAL DETAILS

Revisions	Issued for Bid	Date
		02/22/08

Date: 02/22/08
Drawn By: MR. DS
Checked By: ME

L-08