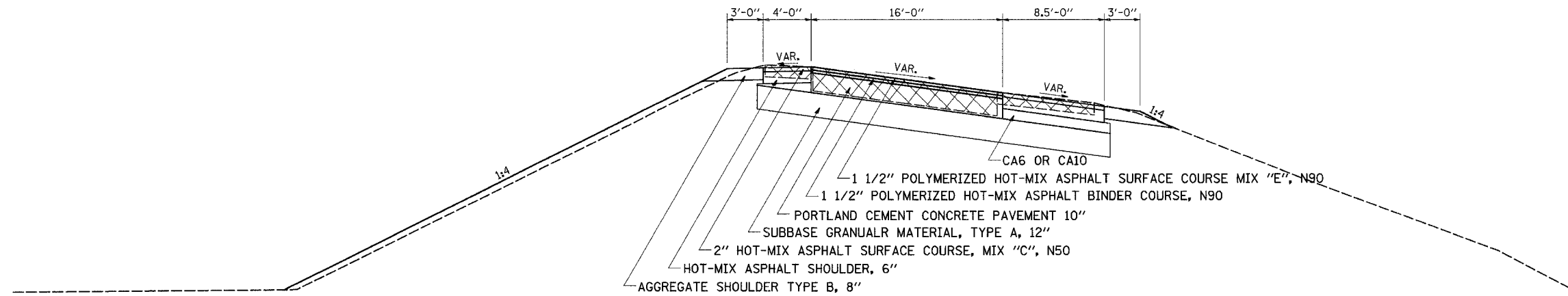


F.A.P. RTE.	SECTION	COUNTY	TOTAL SHEETS	SHEET NO.
301	3HBR-2	WINNEBAGO	171	16
STA.		TO STA.		
FED. ROAD DIST. NO.		ILLINOIS FED. AID PROJECT		

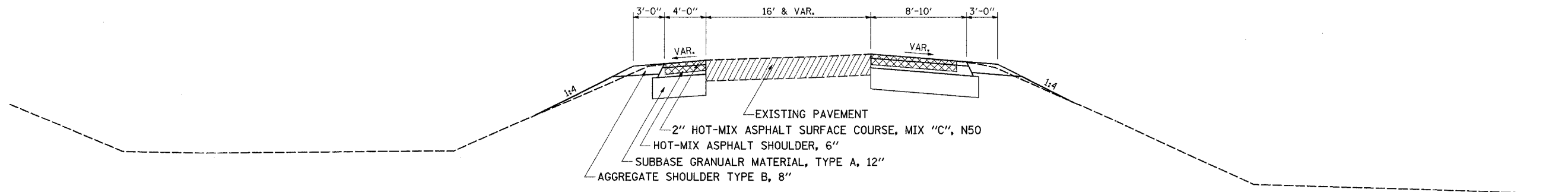
TYPICAL SECTIONS



RAMP AC
 STA 2411+02 TO STA 2413+54.5
 RAMP BD
 STA 2510+77 TO STA 2513+54



NOTE: HOT-MIX ASPHALT
 RATE OF APPLICATION: 112lb/sy/In

RAMP BC
 STA 2603+46.4 TO STA 2611+35.3
 RAMP AD
 STA 2006+71.53 TO STA 2015+07.3



-  EXISTING PAVEMENT
-  PAVEMENT REMOVAL

PLOT DATE = Fri, Mar 14 09:56:45 2008
 FILE NAME = c:\projects\64292\301\241354\301_16.dgn
 PLOT SCALE = 1/8"=1'-0" / IN.
 USER NAME = dosadd