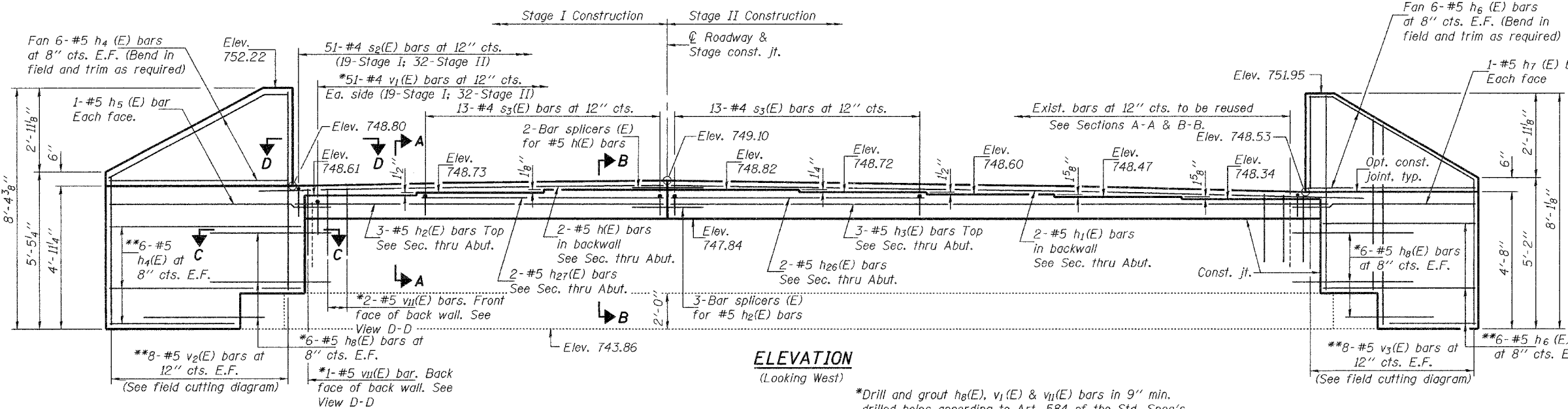


Notes: Space drilled holes in existing cap to miss existing reinforcement.
 For bar splicer details see sheet 33 of 34.
 Pour steps monolithically with cap.
 Space reinforcement in cap to miss anchor bolts.

STATE OF ILLINOIS
 DEPARTMENT OF TRANSPORTATION

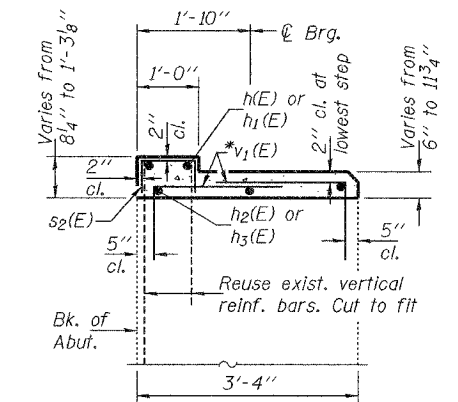
| | | | | |
|-----------------------|----------|------------------|--------------|-----------|
| ROUTE NO. | SECTION | COUNTY | TOTAL SHEETS | SHEET NO. |
| FAP 301 | 3HBR-2 | WINNEBAGO | 171 | 111 |
| FED. ROAD DIST. NO. 7 | ILLINOIS | FED. AID PROJECT | | |

Contract No. 64292

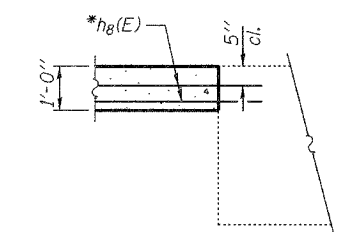


ELEVATION
 (Looking West)

*Drill and grout h6(E), v1(E) & v11(E) bars in 9" min. drilled holes according to Art. 584 of the Std. Spec's.
 **Cut to fit and to miss existing substructure.



SECTION A-A

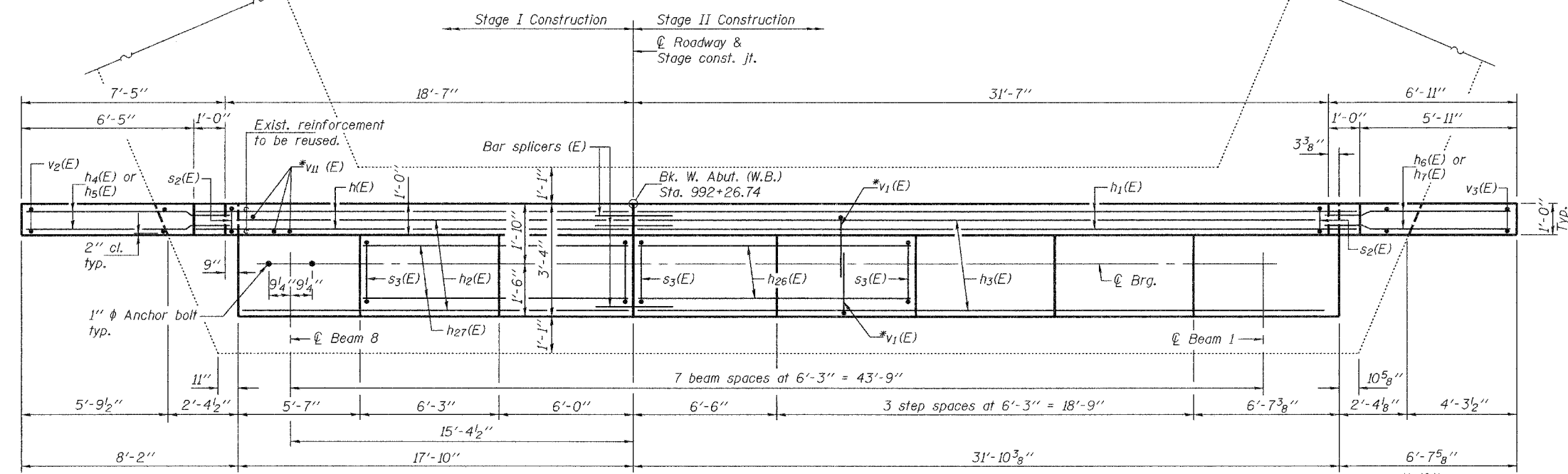


SECTION C-C

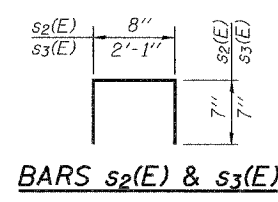
BILL OF MATERIAL

| Bar | No. | Size | Length | Shape |
|----------------------------------|-----|---------|---------|-------|
| h(E) | 2 | #5 | 19'-10" | |
| h1(E) | 2 | #5 | 32'-10" | |
| h2(E) | 3 | #5 | 17'-7" | |
| h3(E) | 3 | #5 | 31'-7" | |
| h4(E) | 24 | #5 | 7'-10" | |
| h5(E) | 2 | #5 | 10'-6" | |
| h6(E) | 24 | #5 | 7'-4" | |
| h7(E) | 2 | #5 | 9'-0" | |
| h8(E) | 24 | #5 | 3'-1" | |
| h26(E) | 2 | #5 | 12'-6" | |
| h27(E) | 2 | #5 | 12'-0" | |
| s2(E) | 51 | #4 | 1'-10" | □ |
| s3(E) | 26 | #4 | 3'-3" | □ |
| v1(E) | 102 | #5 | 3'-7" | □ |
| v2(E) | 8 | #5 | 13'-3" | |
| v3(E) | 8 | #5 | 12'-9" | |
| v11(E) | 6 | #5 | 1'-3" | |
| Concrete Structures | | Cu. Yd. | 8.8 | |
| Reinforcement Bars, Epoxy Coated | | Pound | 1540 | |
| Structure Excavation | | Cu. Yd. | 66.6 | |

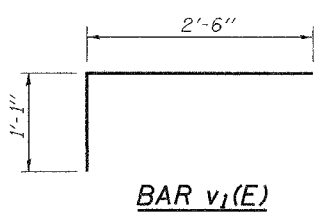
WEST ABUTMENT (W.B.)
F.A.P. RTE. 301 - SEC. 3HBR-2
WINNEBAGO COUNTY
STATION 993+43.82
STRUCTURE NO. 101-0065 (E.B.)
STRUCTURE NO. 101-0066 (W.B.)



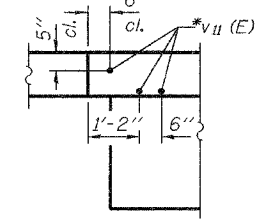
PLAN



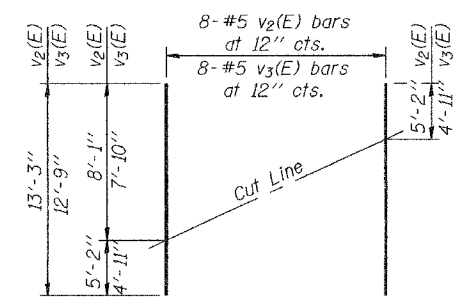
BARS s2(E) & s3(E)



BAR v1(E)

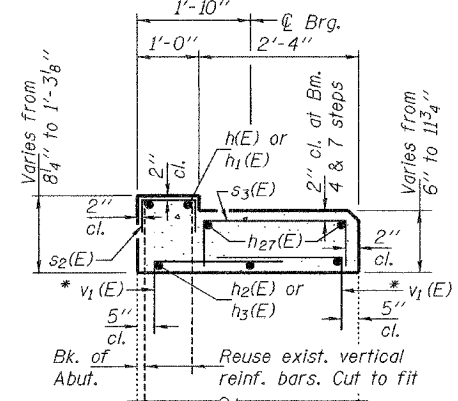


VIEW D-D
 (South end shown, North end similar)



FIELD CUTTING DIAGRAM

Order v2(E) & v3(E) full length. Cut as shown and use remainder of bars in opposite face.



SECTION B-B

| | |
|----------|--------------------|
| DESIGNED | Stephen M. Ryan |
| CHECKED | Fess Teklehaimanot |
| DRAWN | h.t. duong |
| CHECKED | SMR/FT |

| | |
|----------|---------------------|
| APPROVED | Apr. 25, 2008 |
| EXAMINED | Thomas J. Demagallo |
| PASSED | Ralph E. Anderson |