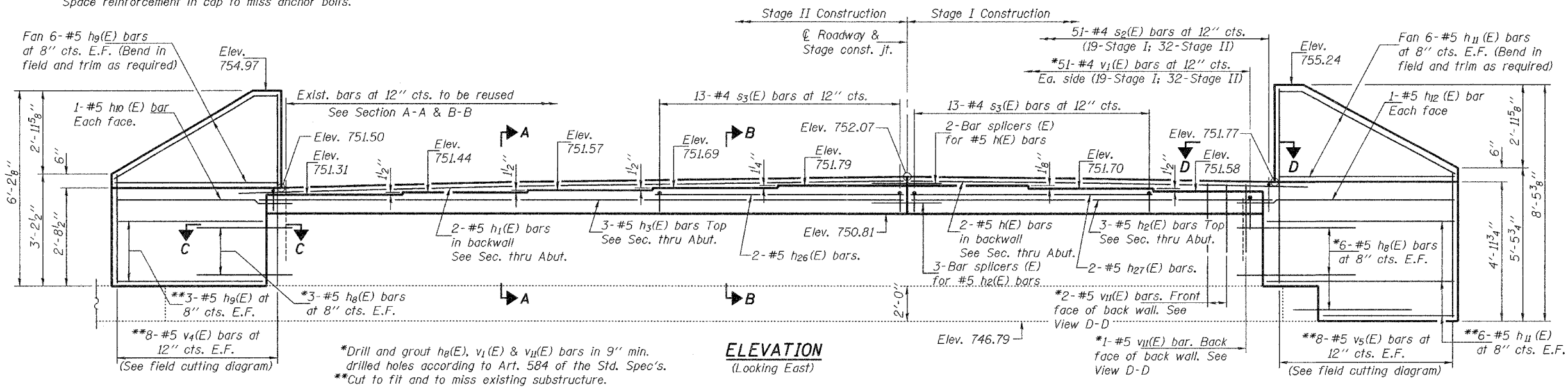


Notes: Space drilled holes in existing cap to miss existing reinforcement.
 For bar splicer details see sheet 33 of 34.
 Pour steps monolithically with cap.
 Space reinforcement in cap to miss anchor bolts.

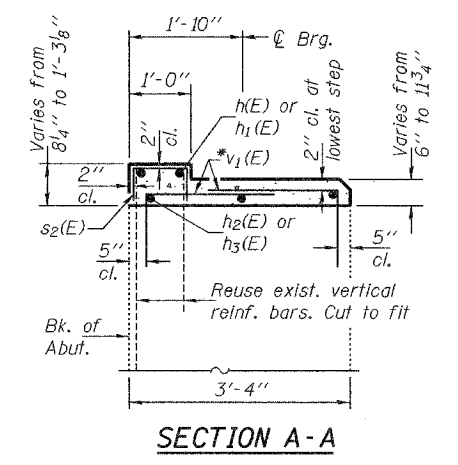
STATE OF ILLINOIS
 DEPARTMENT OF TRANSPORTATION

ROUTE NO.	SECTION	COUNTY	STATION	SHEET NO.
FAP 301	3HBR-2	WINNEBAGO	171	112
34 SHEETS				

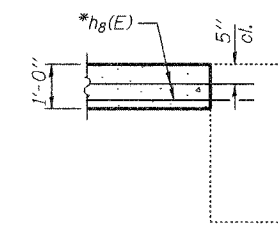
Contract No. 64292



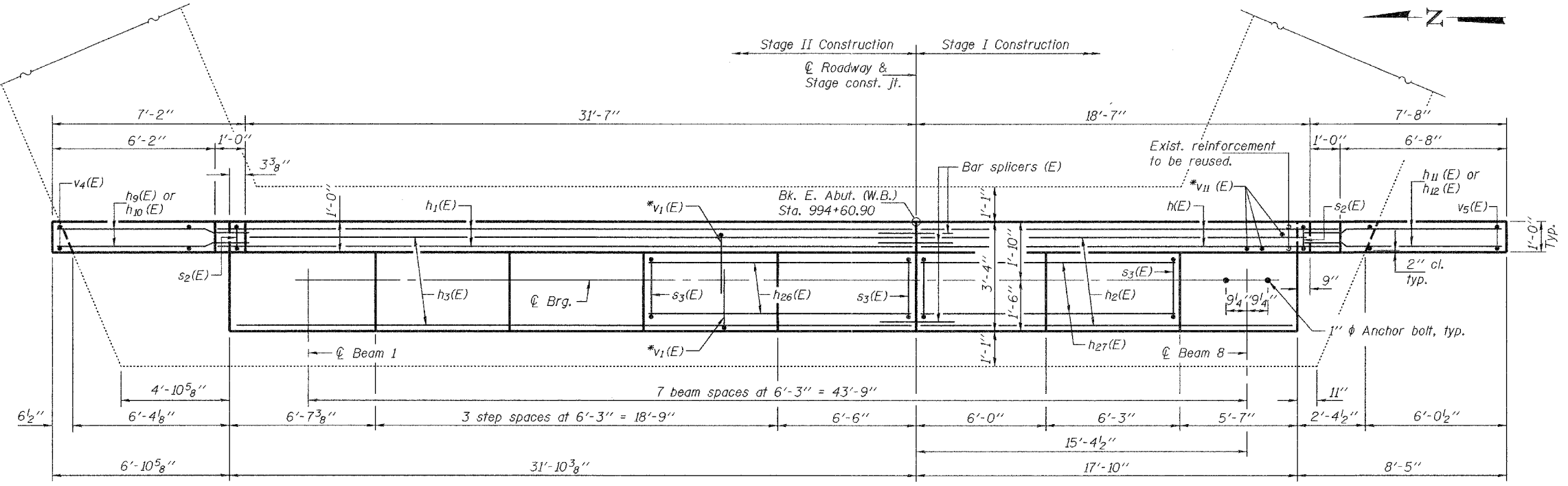
ELEVATION
 (Looking East)



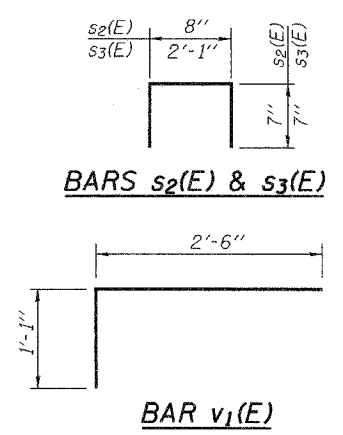
SECTION A-A



SECTION C-C

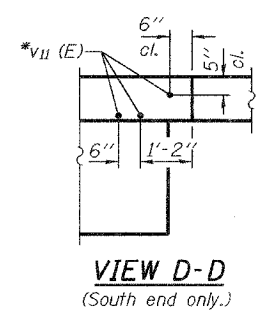


PLAN

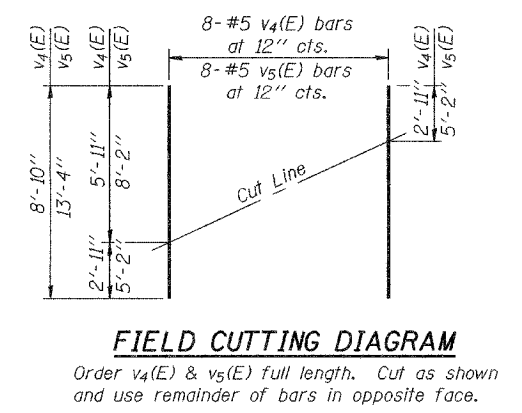


BARS s2(E) & s3(E)

BAR v1(E)

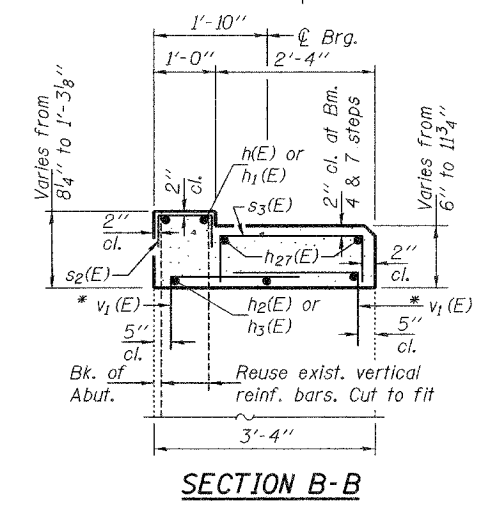


VIEW D-D
 (South end only)



FIELD CUTTING DIAGRAM

Order v4(E) & v5(E) full length. Cut as shown and use remainder of bars in opposite face.



SECTION B-B

BILL OF MATERIAL

Bar	No.	Size	Length	Shape
h1(E)	2	#5	19'-10"	□
h11(E)	2	#5	32'-10"	□
h2(E)	3	#5	17'-7"	□
h3(E)	3	#5	31'-7"	□
h8(E)	18	#5	3'-1"	□
h9(E)	18	#5	7'-4"	□
h10(E)	1	#5	9'-0"	□
h11(E)	24	#5	8'-2"	□
h12(E)	1	#5	10'-7"	□
h26(E)	2	#5	12'-6"	□
h27(E)	2	#5	12'-0"	□
s2(E)	51	#4	1'-10"	□
s3(E)	26	#4	3'-3"	□
v1(E)	102	#5	3'-7"	□
v4(E)	8	#5	8'-10"	□
v5(E)	8	#5	13'-4"	□
v11(E)	3	#5	1'-3"	□
Concrete Structures		Cu. Yd.	8.8	
Reinforcement Bars, Epoxy Coated		Pound	1420	
Structure Excavation		Cu. Yd.	68.9	

EAST ABUTMENT (W.B.)
 F.A.P. RTE. 301 - SEC. 3HBR-2
 WINNEBAGO COUNTY
 STATION 993+43.82
 STRUCTURE NO. 101-0065 (E.B.)
 STRUCTURE NO. 101-0066 (W.B.)

DESIGNED	Stephen M. Ryan
CHECKED	Fess Teklehaimanot
DRAWN	h.t. duong
CHECKED	SMR/FT

APPROVED	Apr. 25, 2008
EXAMINED	Thomas J. Demagala ENGINEER OF BRIDGE DESIGN
PASSED	Ralph E. Anderson ENGINEER OF BRIDGES AND STRUCTURES