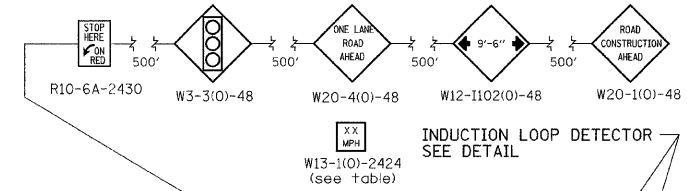
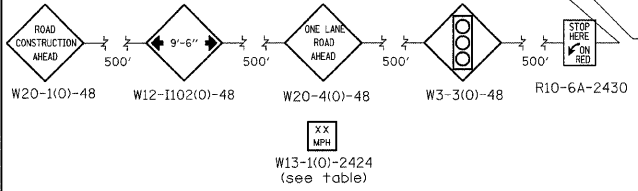
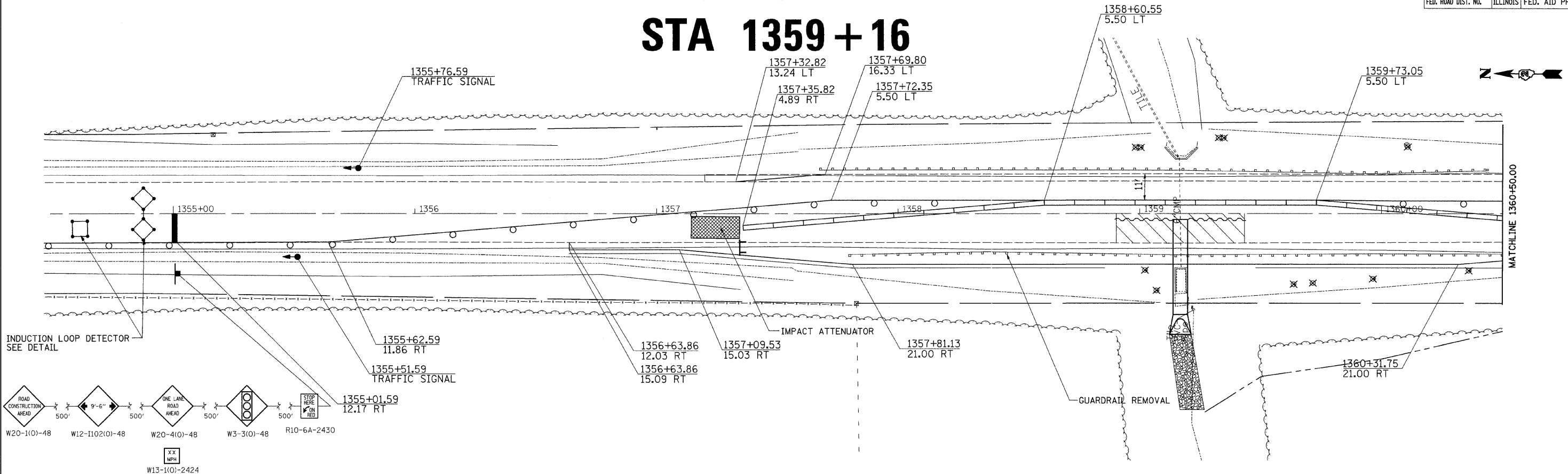


| F.A.P. RTE. | SECTION | COUNTY | TOTAL SHEETS | SHEET NO. |
|---------------------|---------|---------------------------|--------------|-----------|
| 17 | 15T-2 | CARROLL | 71 | 31 |
| STA. | | TO STA. | | |
| FED. ROAD DIST. NO. | | ILLINOIS FED. AID PROJECT | | |

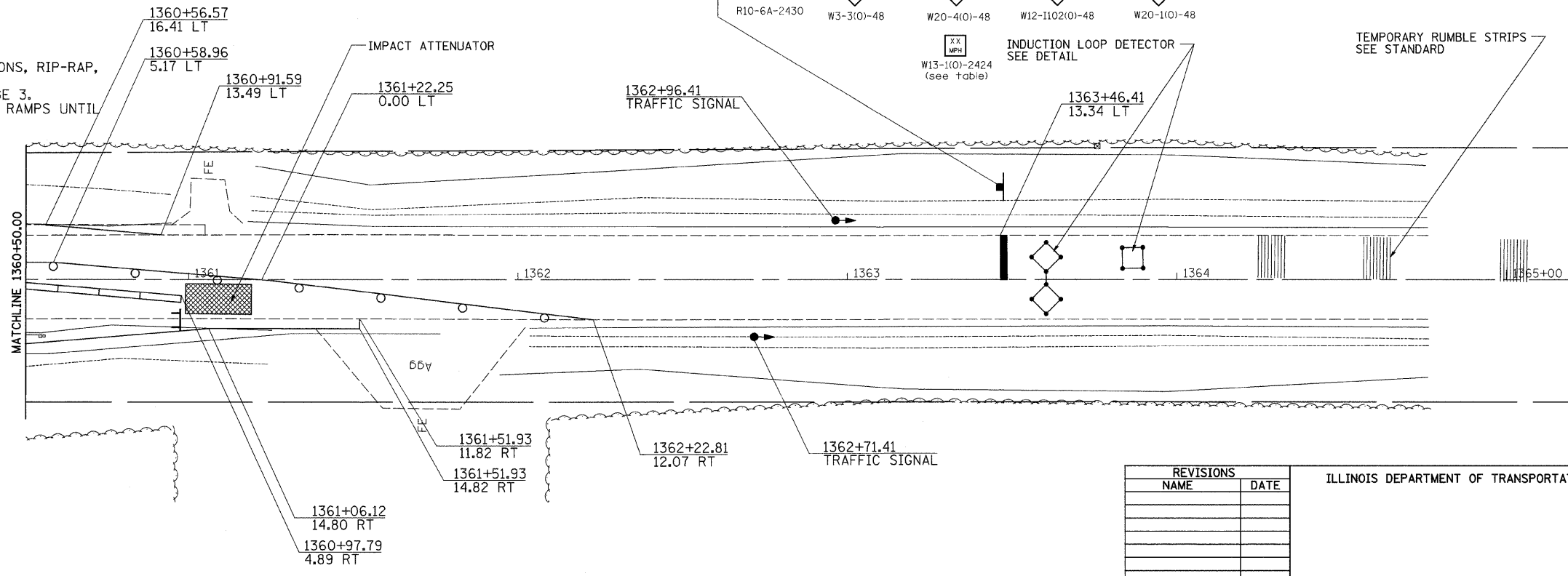
STAGE 2

STA 1359+16



STAGE 2 NOTES

1. USE STANDARD 701321 FOR CULVERT WORK.
2. CONSTRUCT DOWNSTREAM SECTIONS OF CULVERTS INCLUDING END SECTIONS, RIP-RAP, AND EARTH WORK.
3. PLACE TEMPORARY WIDENING AT FULL WIDTH IN PREPARATION FOR STAGE 3.
4. PLACE CLASS C PATCH AND BINDER OVER PATCH AREA. USE TEMPORARY RAMPS UNTIL STAGE 3 IS COMPLETED.



| | |
|--|---|
| | = WORK ZONE |
| | = TYPE III BARRICADE WITH FLASHING LIGHTS |
| | = SIGN |
| | = BARRICADE, OR DRUM WITH STEADY BURNING LIGHTS |
| | = INDUCTION LOOP DETECTOR |
| | = TRAFFIC SIGNAL |
| | = TEMPORARY RUMBLE STRIPS |

| REVISIONS | |
|-----------|------|
| NAME | DATE |
| | |
| | |
| | |
| | |
| | |
| | |
| | |
| | |
| | |
| | |

ILLINOIS DEPARTMENT OF TRANSPORTATION

SCALE: VERT. _____
HORIZ. _____

DATE _____

DRAWN BY _____
CHECKED BY _____

PLOT DATE = Mon Jan 28 07:52:35 2008
FILE NAME = C:\p\projects\p207896\487896.dgn
PLOT SCALE = 28.0000 / 1 IN.
USER NAME = hemsheke