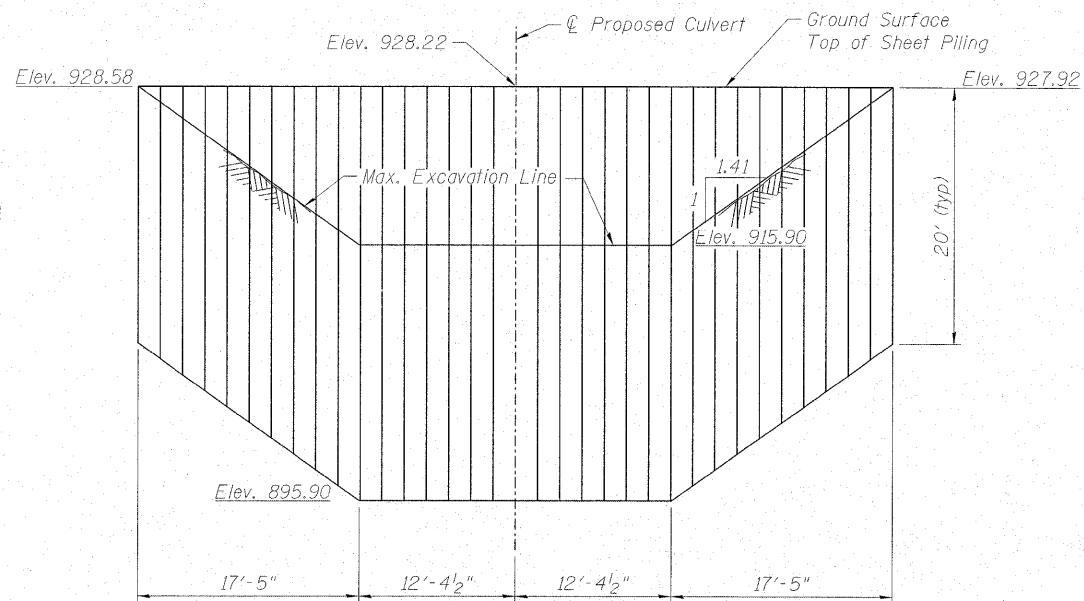


# STA. 1240 + 74 6'x5' DOUBLE BOX CULVERT

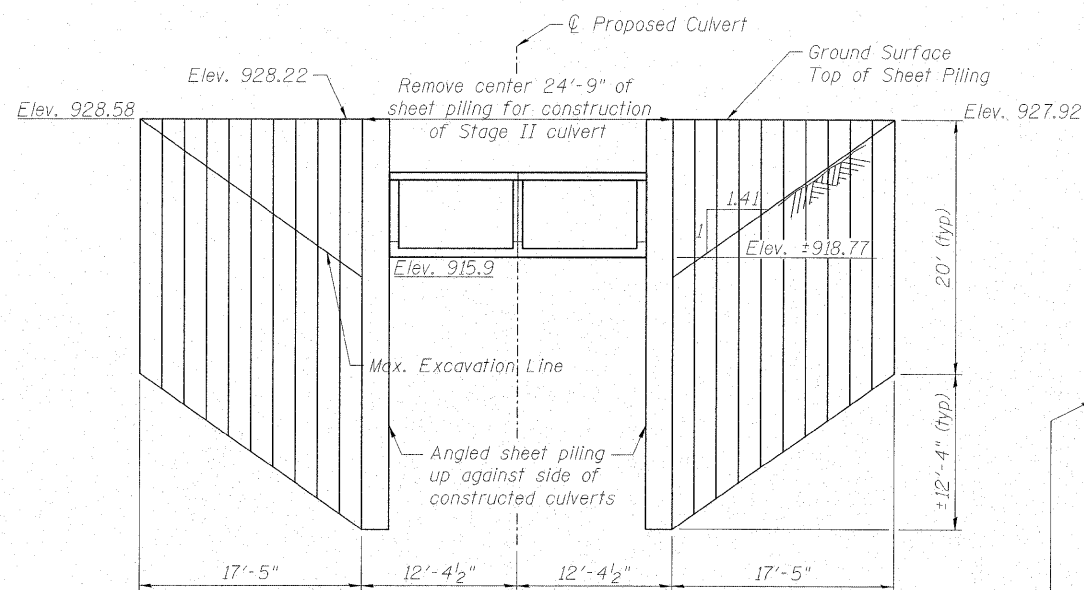
STATE OF ILLINOIS  
DEPARTMENT OF TRANSPORTATION

ROUTE NO.	SECTION	COUNTY	TOTAL SHEETS	SHEET NO.	SHEET NO. 4 6 SHEETS
F.A.P. 17	15T-2	CARROLL	71	41	
FED. ROAD DIST. NO. 7	ILLINOIS	FED. AID PROJECT	Contract # 64C35		



STAGE I TEMPORARY SHEET PILING DETAIL

Looking South



STAGE II TEMPORARY SHEET PILING DETAIL

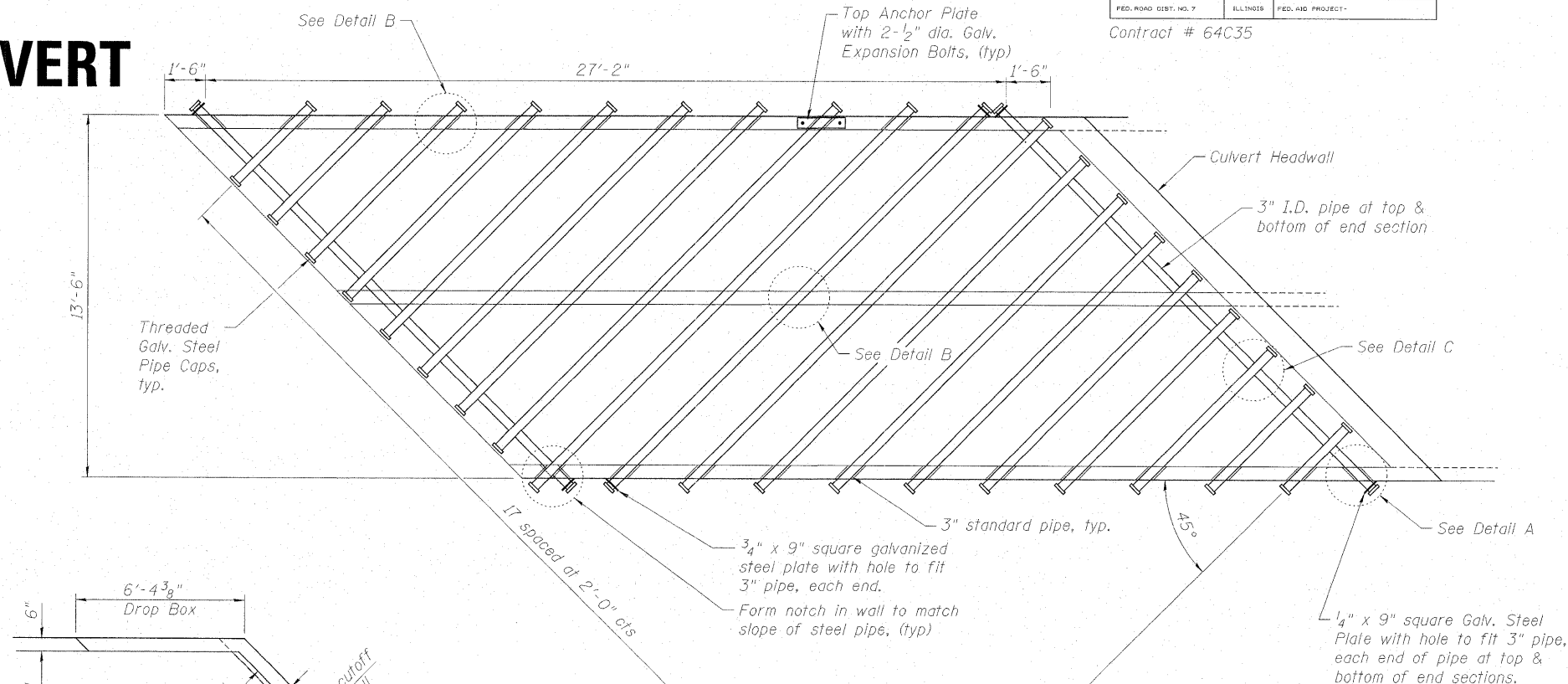
Looking South

**NOTE:**

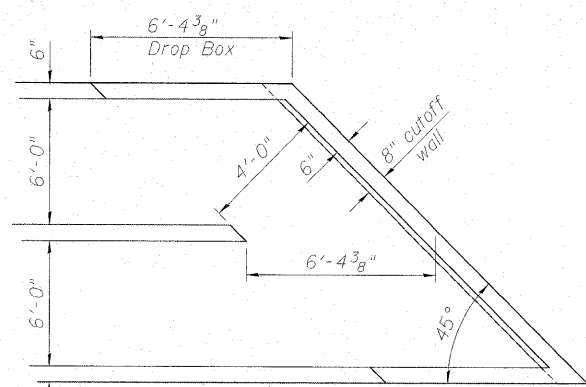
If the Contractor chooses to alter the temporary cantilevered sheet piling design requirements shown on the plans, a design submittal including plan details and calculations will be required for review and acceptance by the Engineer.

**TEMPORARY SHEET PILING DATA**

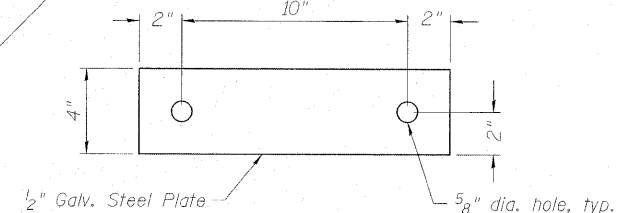
Embedment : 20'-0" beyond max. excavation  
Min. Section Modulus : 28.6 in<sup>3</sup>/ft  
F<sub>y</sub> : 38,500 psi



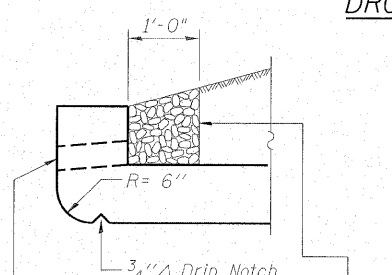
GRATING PLAN



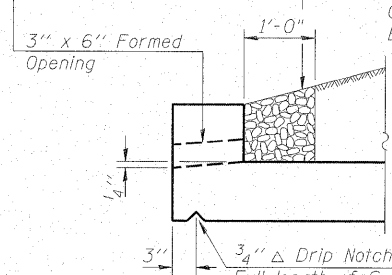
DROP BOX PLAN



TOP ANCHOR PLATE



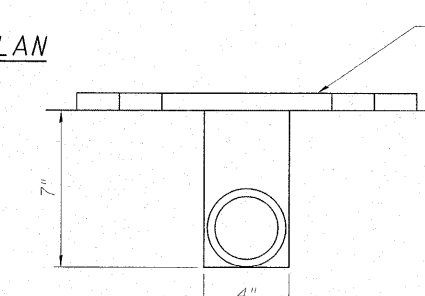
AT UPSTREAM END



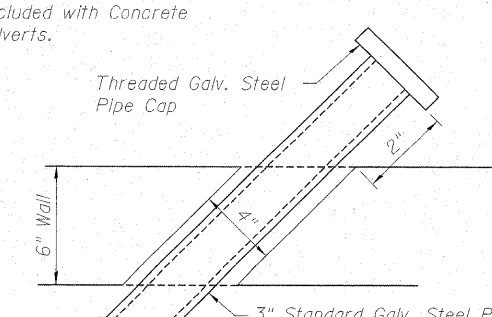
AT DOWNSTREAM END

DRAIN DETAIL

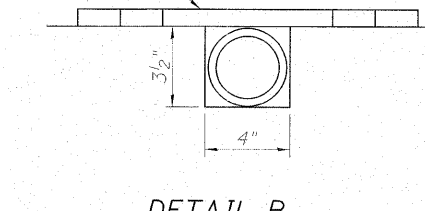
Coarse aggregate full length of both headwalls. To be placed by Grading Contractor. Cost included with Concrete Box Culverts.



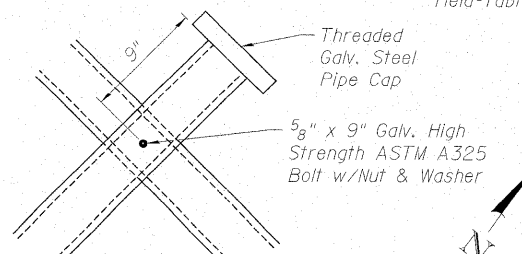
DETAIL A



TYP. PIPE END DETAIL



DETAIL B



DETAIL C

**GRATING NOTES**

Grating shall include the pipes, plates, and expansion bolts as shown for one end section and shall be included in the contract unit price per Cu. Yd. for Concrete Box Culverts.

Steel pipes shall conform to ASTM A53, Grade B, Schedule 40, and shall be galvanized conforming to ASTM A120.

Steel plates shall conform to AASHTO M-183 and shall be galvanized conforming to AASHTO M-111.

Bolts, nuts, and washers shall be in accordance with Article 1006.08 of the Standard Specifications and shall be galvanized.

Contractor shall provide galvanizing for holes, threads, ect. for field-fabricated grate assembly.

TEMPORARY SHEET PILING  
AND GRATE DETAILS  
IL ROUTE 64/US ROUTE 52  
OVER UNNAMED TRIBUTARY  
TO STRADDLE CREEK  
FAP 17 - SECTION 15T-2  
CARROLL COUNTY  
STATION 1240+74  
STRUCTURE NO. 008-1098



DESIGNED - BAS
CHECKED -
DRAWN - LAD
CHECKED -

