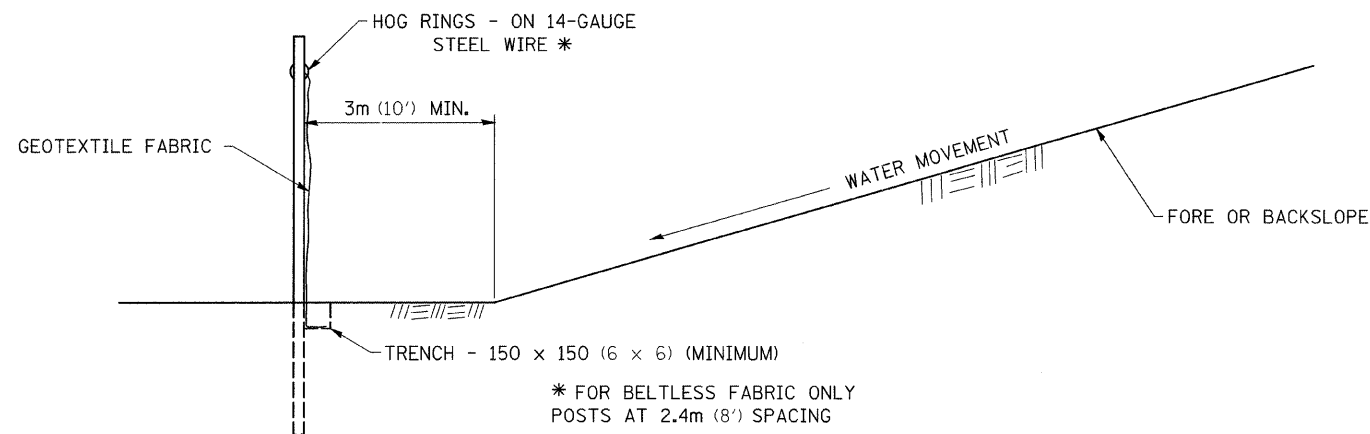
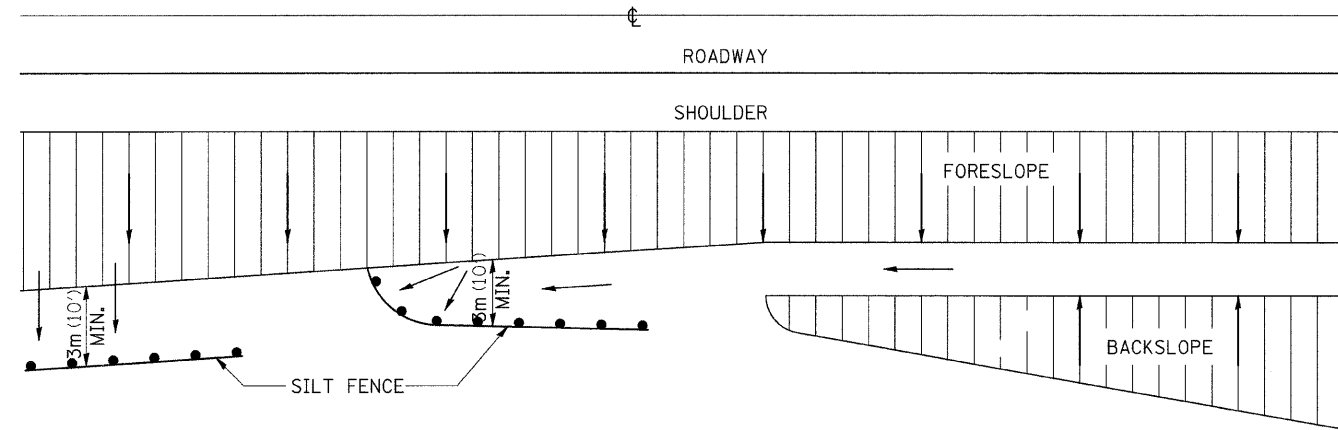


EROSION CONTROL DETAILS FOR SILT FENCE

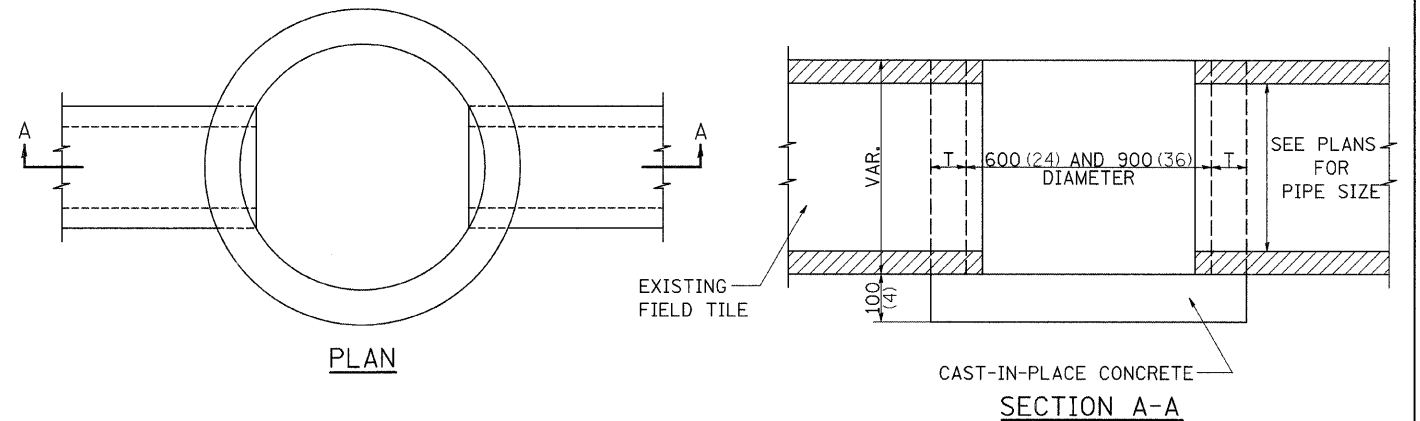
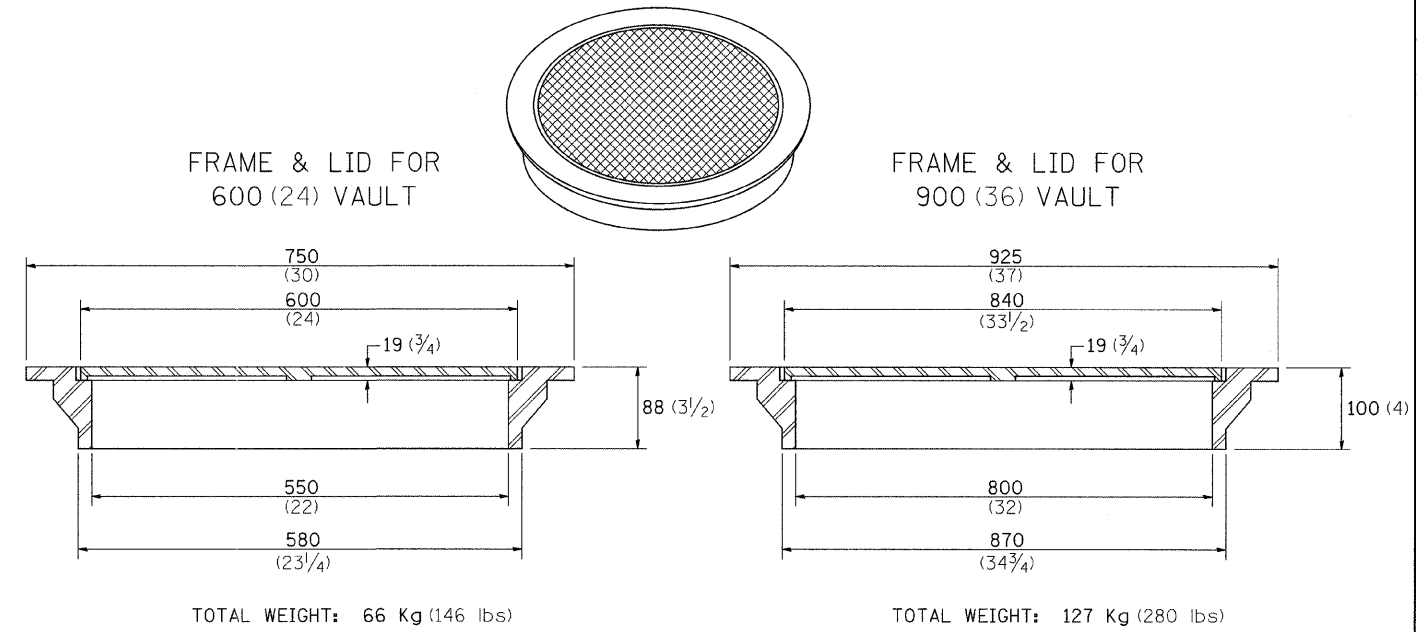


DETAILS OF SILT FENCE

ALL DIMENSIONS ARE IN MILLIMETERS (INCHES) UNLESS OTHERWISE NOTED.

FIELD TILE JUNCTION VAULTS 600 (24) AND 900 (36) DIA.

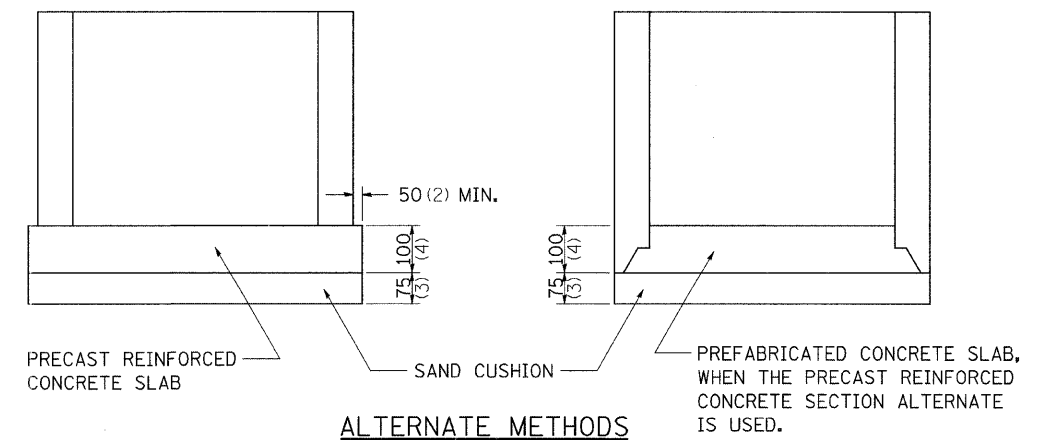
CONTRACT NO. 64C35				
F.A.P. RTE.	SECTION	COUNTY	TOTAL SHEETS	SHEET NO.
17	15T-2	CARROLL	71	53
STA.		TO STA.		
FED. ROAD DIST. NO.		ILLINOIS FED. AID PROJECT		



ALTERNATE MATERIALS FOR WALLS	T
BRICK MASONRY	200 (8)
CAST-IN-PLACE CONCRETE	150 (6)
CONCRETE MASONRY UNIT	125 (5)
PRECAST REINFORCED CONCRETE SECTION	75 (3)

NOTE: THE FRAME AND LID IS REQUIRED ON ALL JUNCTION VAULTS.

ALL DIMENSIONS ARE IN MILLIMETERS (INCHES) UNLESS OTHERWISE NOTED.



PLOT DATE = Mon Jan 28 07:47:09 2008
 FILE NAME = C:\Proje\p227886\dr7188hp.Ldgn
 PLOT SCALE = 50.0000 / IN
 REFERENCE = #REF#