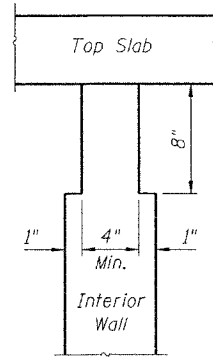


STATE OF ILLINOIS  
DEPARTMENT OF TRANSPORTATION

ROUTE NO.	SECTION	COUNTY	TOTAL SHEETS	SHEET NO.
F.A.P. 301	29T-1	JO DAVIESS	30	14
FED. ROAD DIST. NO. 7		ALLIANCE	FED. AID PROJECT	

Contract #64C58

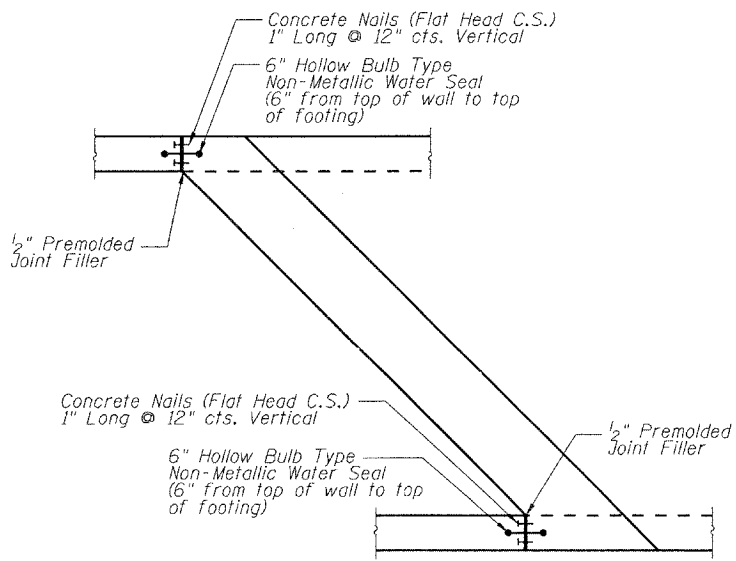


**PHOEBE NESTING SITE NOTCH DETAIL**

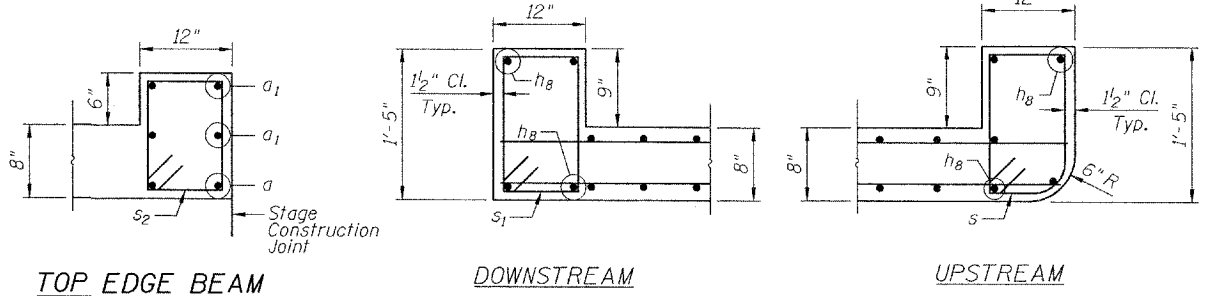
NOTE: Notch formed by rough-finished board attached to and removed with formwork.

STATION 924+32.00  
BUILT 200\_ BY  
STATE OF ILLINOIS  
F.A.P. RT. 301/US ROUTE 20  
SEC. NO. 29T-1  
LOADING HS20  
STR. NO. 043-1077

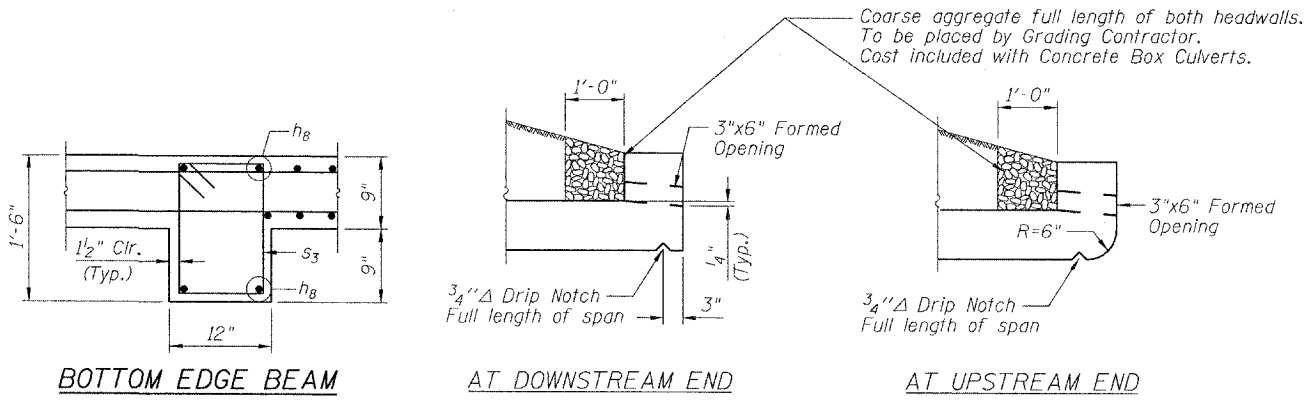
**NAME PLATE**  
(See Std. 515001)



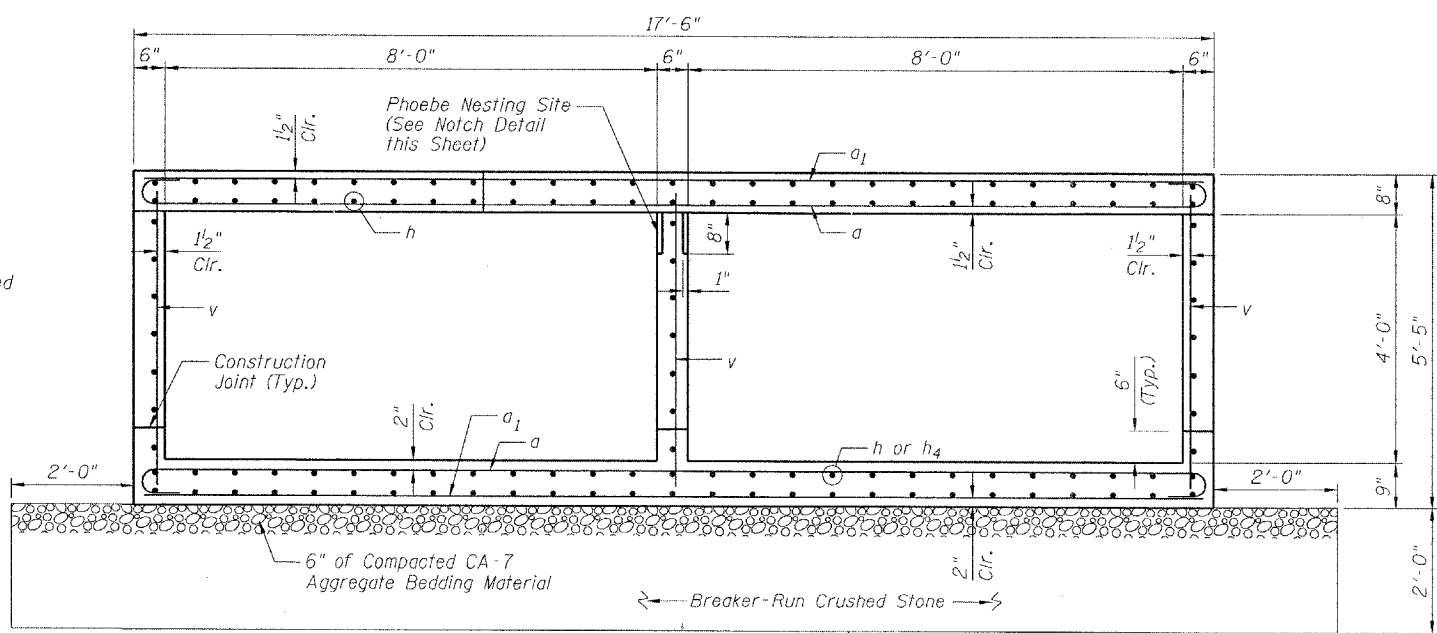
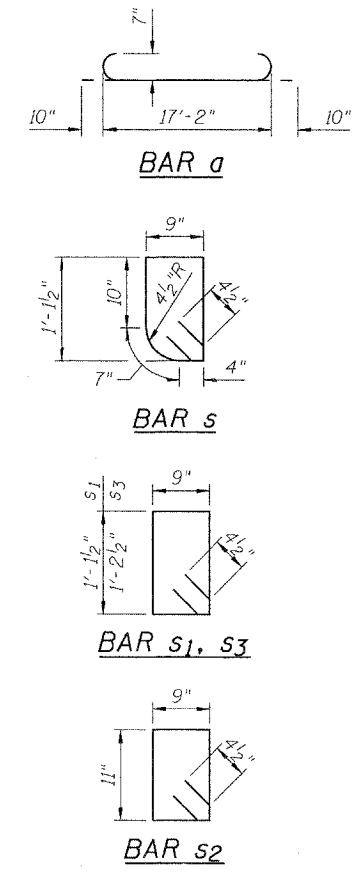
**CORNER DETAIL**



**HEADWALL DETAILS**



**DRAIN DETAIL**



**SECTION A-A**

Note: The Breaker-Run Crushed Stone shall be capped with 6 in. of CA7 and satisfy the Standard Specifications unless otherwise indicated in the Special Provisions. The cost of the capping material shall be included in the pay item for Concrete Box Culverts.

**BILL OF MATERIAL**

Bar	No.	Size	Length	Shape
a	302	#7	18'-10"	
a1	204	#7	17'-2"	
h	378	#5	28'-0"	
h1	21	#5	18'-3"	
h2	14	#5	21'-11"	
h3	14	#5	18'-3"	
h4	162	#5	21'-7"	
h5	14	#5	19'-6"	
h6	14	#5	23'-2"	
h7	21	#5	19'-1"	
h8	16	#6	23'-9"	
s	26	#4	4'-5"	
s1	26	#4	4'-6"	
s2	18	#4	4'-1"	
s3	52	#4	4'-9"	
v	357	#4	5'-1"	
Item		Unit	Quantity	
Concrete Box Culverts		Cu. Yd.	102.9	
Reinforcement Bars		Pound	37,650	

**CULVERT DETAILS**  
US ROUTE 20/IL ROUTE 84  
OVER UNNAMED TRIBUTARY  
TO SMALLPOX CREEK  
F.A.P. 301 SECTION 29T-1  
JO DAVIESS COUNTY  
STATION 924+32.00  
STRUCTURE NO. 043-1077

DESIGNED	LAS
CHECKED	DAZ
DRAWN	SAW
CHECKED	LAS