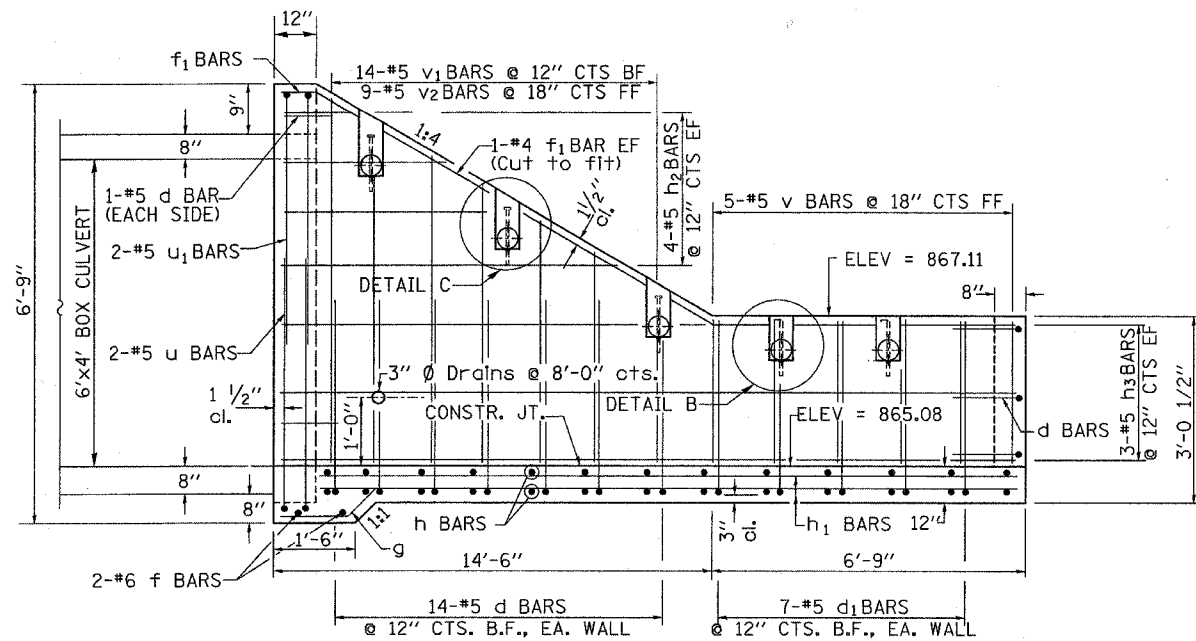


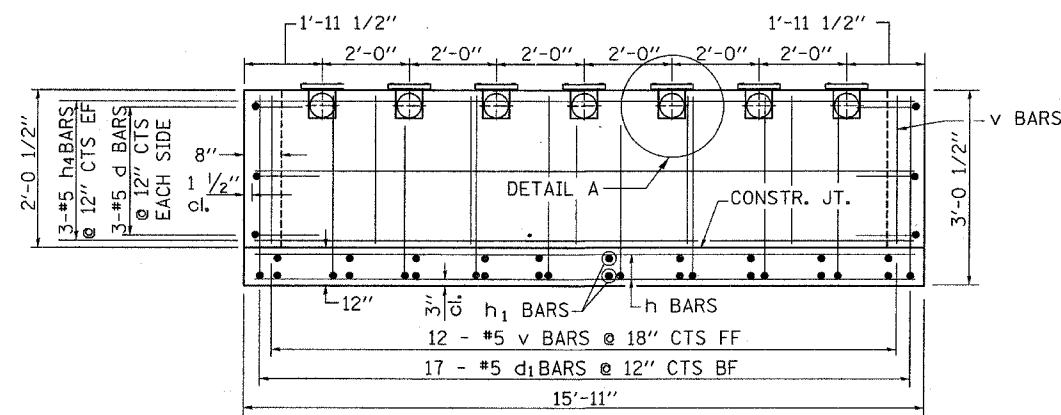
F.A.S. RTE.	SECTION	COUNTY	TOTAL SHEETS	SHEET NO.
1177	(110,111)T	LEE	59	22
STA.		TO STA.		
FED. ROAD DIST. NO.		ILLINOIS FED. AID PROJECT		

DROP BOX NO. 1

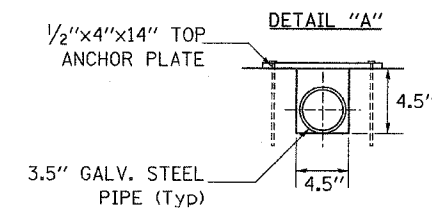
STA. 28 + 64



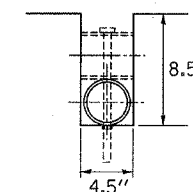
SIDEWALLS



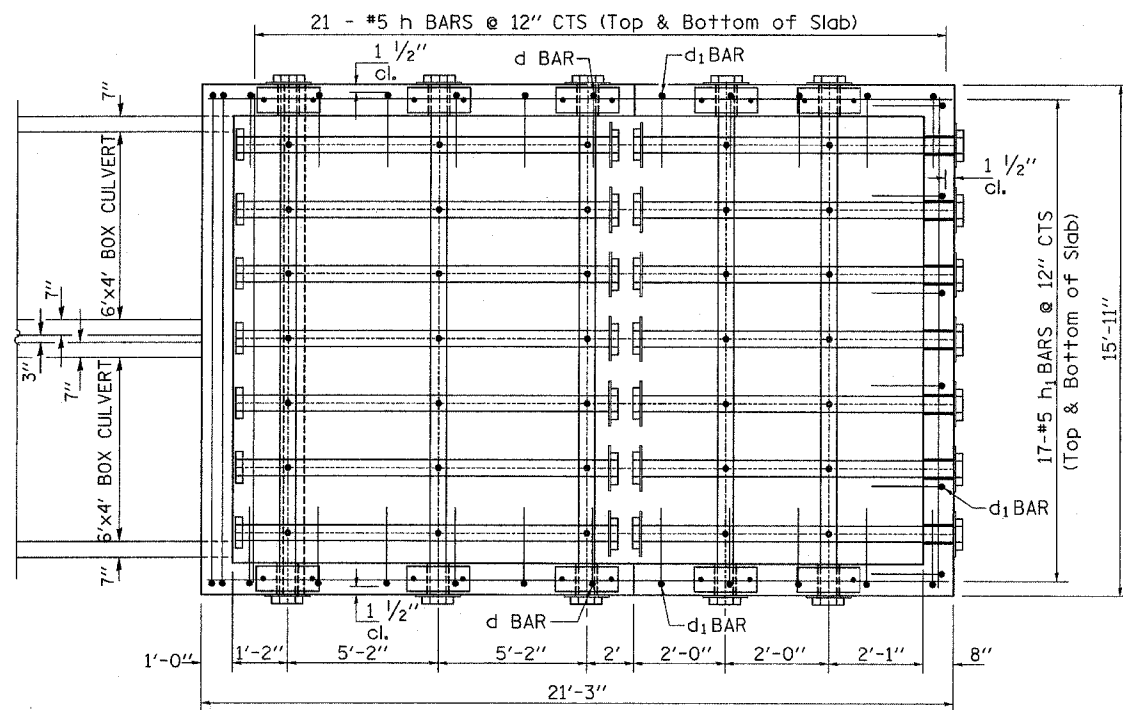
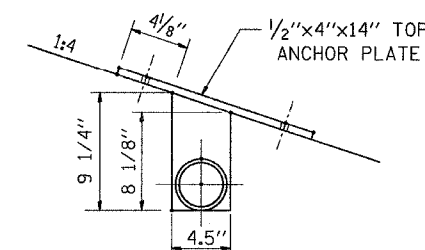
BACK WALL



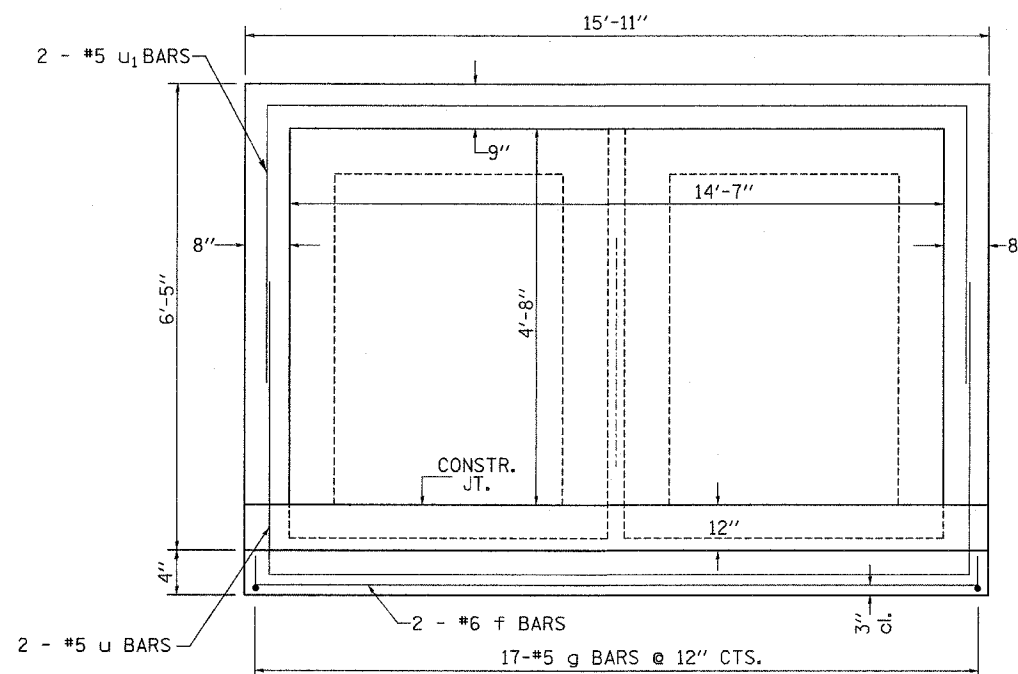
DETAIL "B"



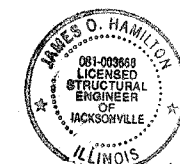
DETAIL "C"



BOTTOM SLAB



HEADWALL



James O. Hamilton
2/15/08
Expires 11/30/08