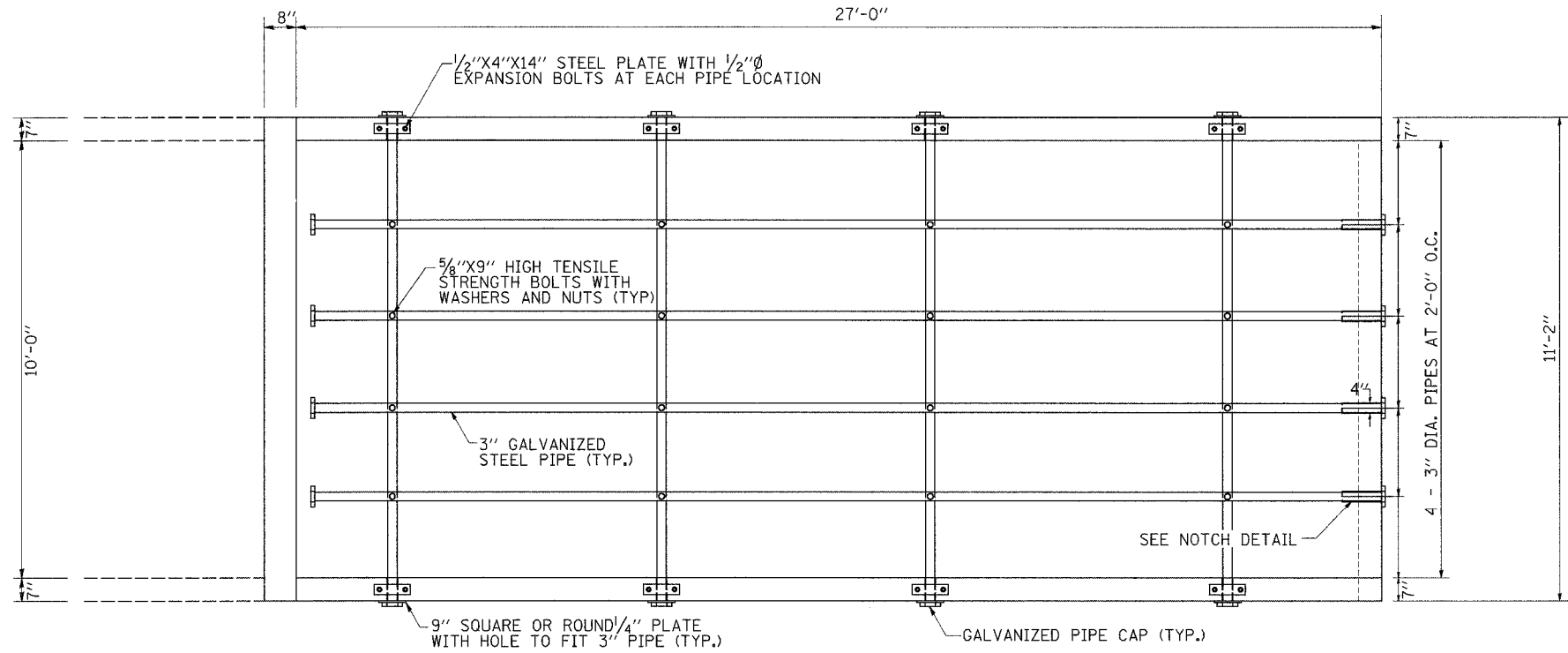
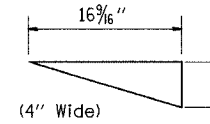


F.A.S. RTE.	SECTION	COUNTY	TOTAL SHEETS	SHEET NO.
1177	(110,111)	LEE	59	24
STA.		TO STA.		
FED. ROAD DIST. NO.		ILLINOIS FED. AID PROJECT		

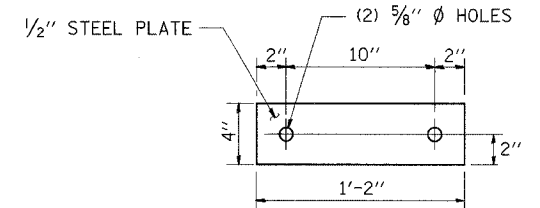
# BOX CULVERT END SECTION NO.2 STA. 261 + 52



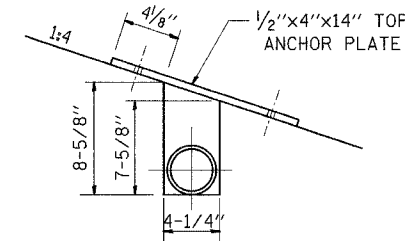
PLAN VIEW



NOTCH DETAIL



TOP ANCHOR PLATE

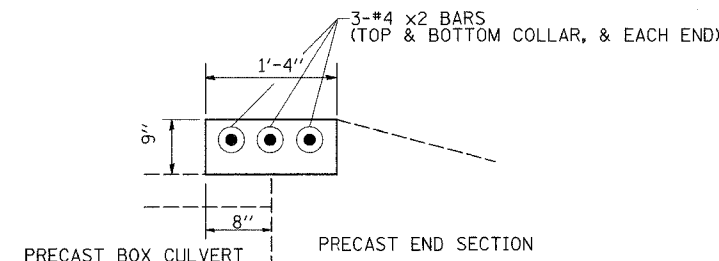


DETAIL "A"

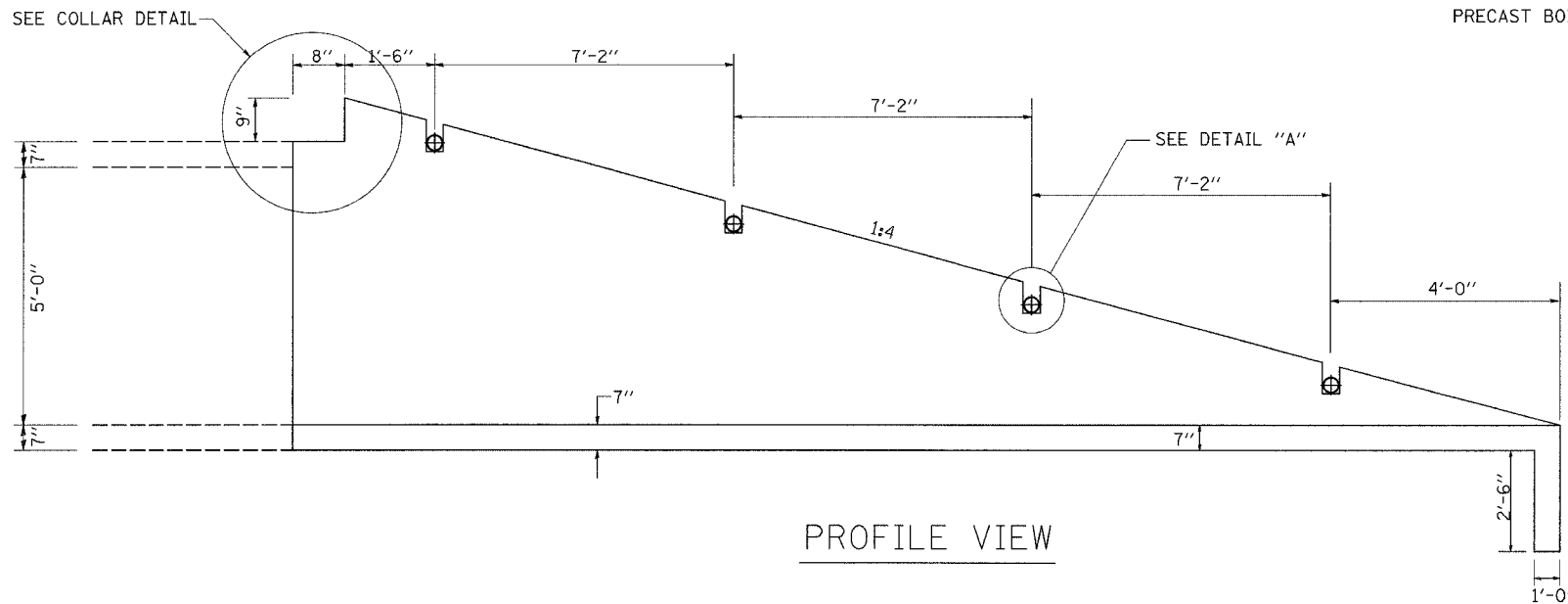
### BILL OF MATERIALS

(For Information Only)

DESCRIPTION	UNIT	QTY.
3" Galvanized Steel Pipe	4e	11'-4"
	4e	27'-0"
3" Galv Pipe Caps	EACH	16
1/4" Galv. Stl. Plate (9" Nominal)	EACH	8
1/2" x 4" x 14" Galv. Steel Plate	EACH	8
5/8" x 9" Galv. Steel Bolts	EACH	16
Expansion Bolts 1/2" Ø	EACH	16



COLLAR DETAIL



PROFILE VIEW

### GENERAL NOTES:

Slope flow line of the extension at the same rate as the flow line of the box.

Bolts, Nuts, and Washers shall be in accordance with Article 1006.08 of the standard specifications and shall be galvanized.

The contract unit price "Each" for Box Culvert End Section No. 2 shall be of precast construction and shall include the expansion bolts, galvanized pipes, class SI Concrete, Bolts, Nuts, Reinforcement, washers, and steel plates.

The contractor has the option of using Cast-In-Place and must provide us with shop drawings for review.

All labor and material required for the construction of the connection collar shall be included in the bid item "PRECAST CONCRETE BOX CULVERT 10'x5'".

Steel pipes shall conform to A.S.T.M. A-53 (Type E or S) Grade B, Schedule 40, and shall be galvanized conforming to A.S.T.M. A-120. Contractor shall field verify pipe length.

Steel Plates shall conform to AASHTO M-183 and shall be galvanized conforming to AASHTO M-111.

SEE PLAN AND PROFILE SHEET FOR MORE INFORMATION  
SEE CROSS SECTION SHEET FOR MORE INFORMATION

PLOT DATE = Tue, Feb 05, 19:24:09, 2008  
FILE NAME = c:\pwworkspace\2008\1177\110\111\110111.dgn  
PLOT SCALE = 8.81875 / IN.  
USER NAME = cshunter