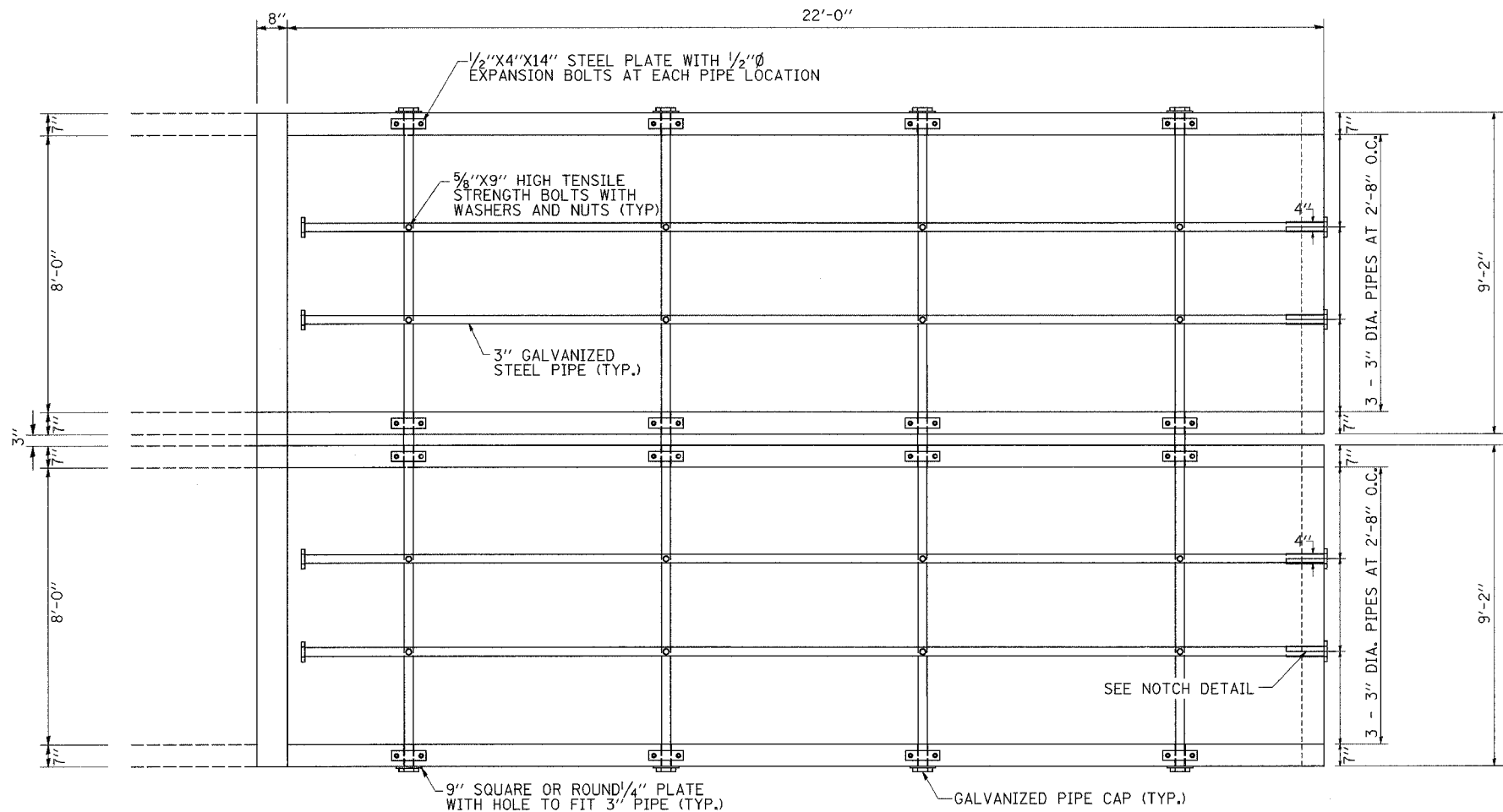
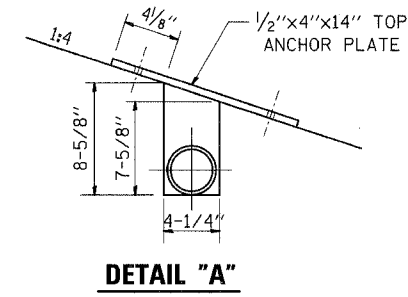
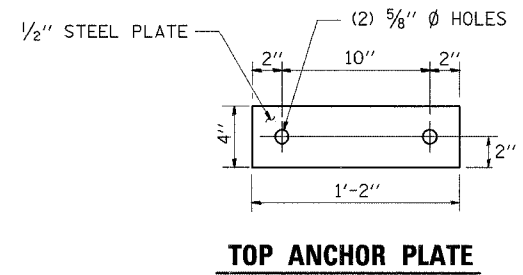
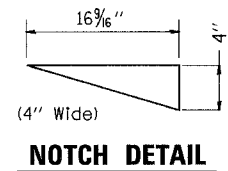


BOX CULVERT END SECTION NO.3 STA. 277 + 15

| | | | | |
|---------------------|------------|---------------------------|--------------|-----------|
| CONTRACT NO. 64C72 | | | | |
| F.A.S. RTE. | SECTION | COUNTY | TOTAL SHEETS | SHEET NO. |
| 1177 | (110,111)T | LEE | 59 | 27 |
| STA. | | TO STA. | | |
| FED. ROAD DIST. NO. | | ILLINOIS FED. AID PROJECT | | |



PLAN VIEW

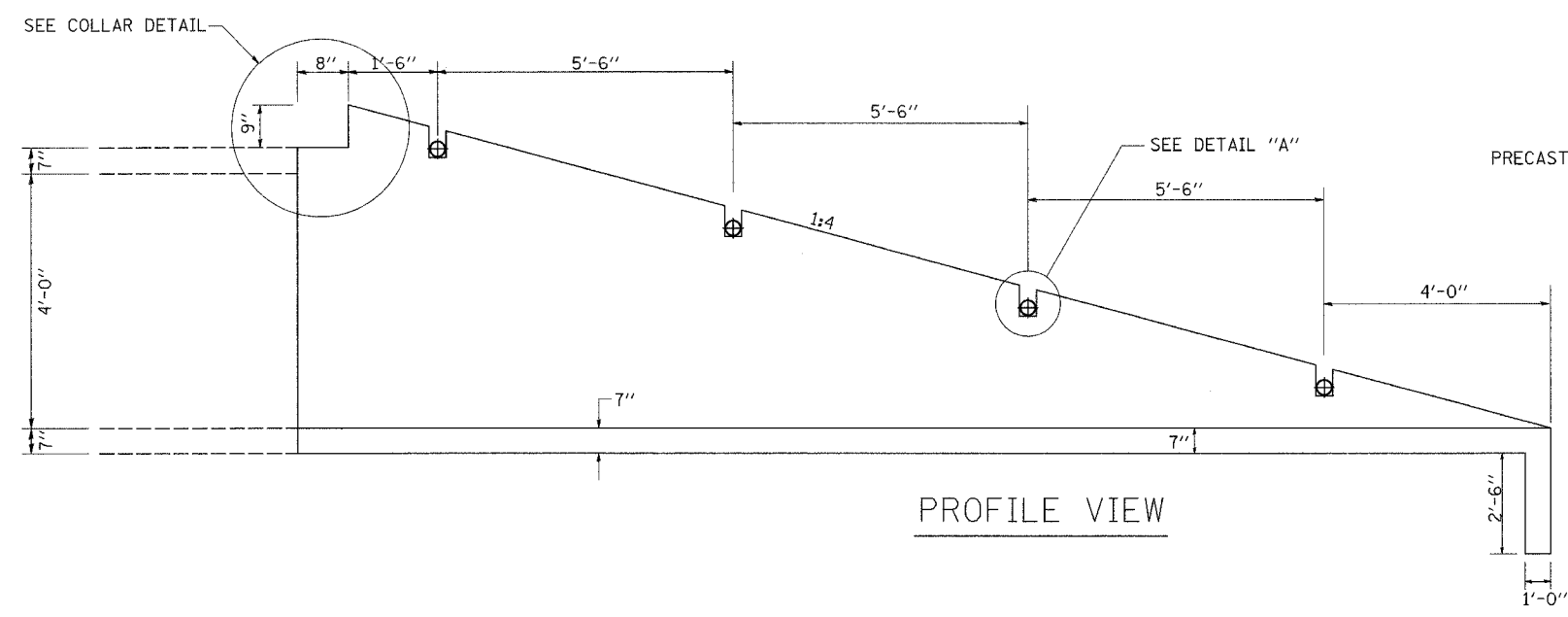
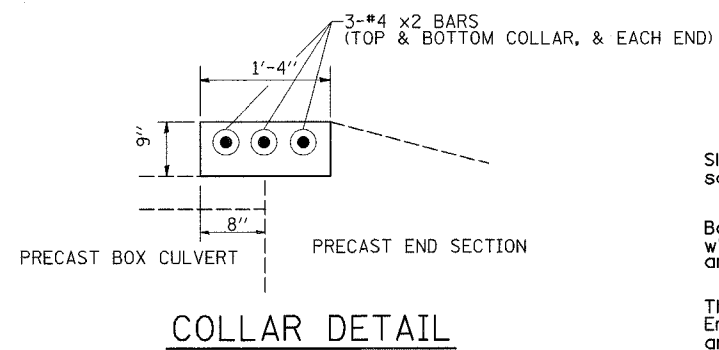


BILL OF MATERIALS
(For Information Only)

| DESCRIPTION | UNIT | QTY. |
|------------------------------------|------|--------|
| 3" Galvanized Steel Pipe | 4e | 18'-9" |
| 3" Galv Pipe Caps | EACH | 16 |
| 1/4" Galv. Stl. Plate (9" Nominal) | EACH | 8 |
| 1/2" x 4" x 14" Galv. Steel Plate | EACH | 4 |
| 5/8" x 9" Galv. Steel Bolts | EACH | 16 |
| Expansion Bolts 1/2" diameter | EACH | 32 |

GENERAL NOTES:

- Slope flow line of the extension at the same rate as the flow line of the box.
- Bolts, Nuts, and Washers shall be in accordance with Article 1006.08 of the standard specifications and shall be galvanized.
- The contract unit price "Each" for Box Culvert End Section No. 3 shall be of precast construction and shall include the expansion bolts, galvanized pipes, class SI Concrete, Bolts, Nuts, Reinforcement, washers, and steel plates.
- The contractor has the option of using Cast-In-Place and must provide us with shop drawings for review.
- All labor and material required for the construction of the connection collar shall be included in the bid item "PRECAST CONCRETE BOX CULVERT 8'x4'".
- Steel pipes shall conform to A.S.T.M. A-53 (Type E or S) Grade B, Schedule 40, and shall be galvanized conforming to A.S.T.M. A-120. Contractor shall field verify pipe length.
- Steel Plates shall conform to AASHTO M-183 and shall be galvanized conforming to AASHTO M-111.
- SEE PLAN AND PROFILE SHEET FOR MORE INFORMATION
SEE CROSS SECTION SHEET FOR MORE INFORMATION



PROFILE VIEW

PLOT DATE = Tue Feb 28 10:24:28 2006
FILE NAME = c:\projects\1026017\1026017.dwg
USER NAME = cadman