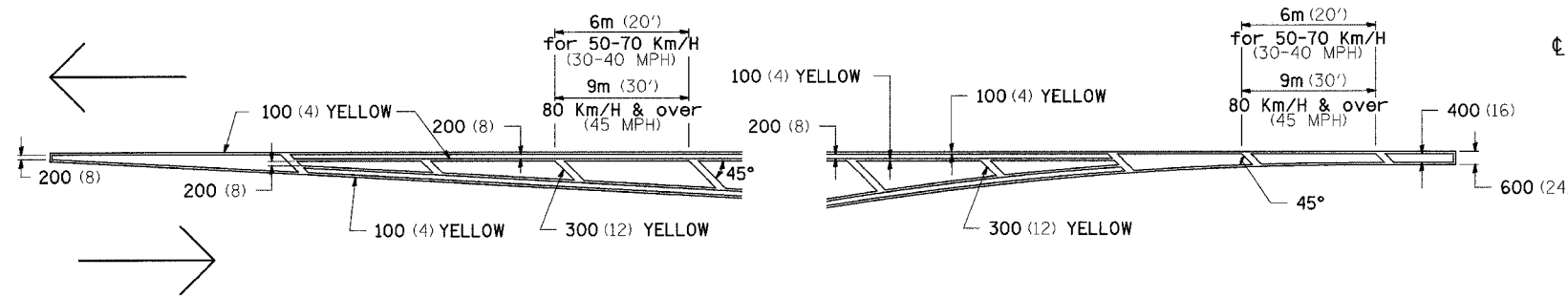


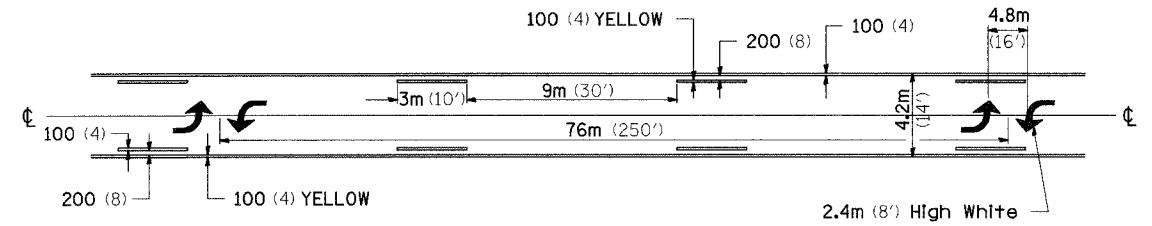
F.A.S. RTE.	SECTION	COUNTY	TOTAL SHEETS	SHEET NO.
1177	(110,111)T	LEE	59	46
STA.		TO STA.		
FED. ROAD DIST. NO.	ILLINOIS	FED. AID PROJECT		

TYPICAL PAVEMENT MARKINGS

TYPICAL PAVEMENT MARKING FOR FLUSH MEDIAN AT LEFT TURN LANE

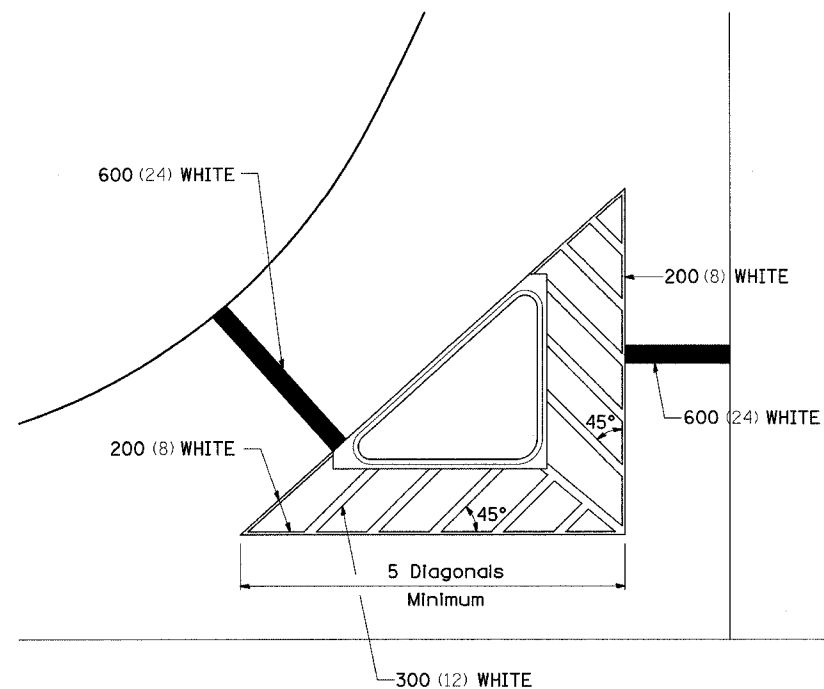


MEDIAN PAVEMENT MARKING

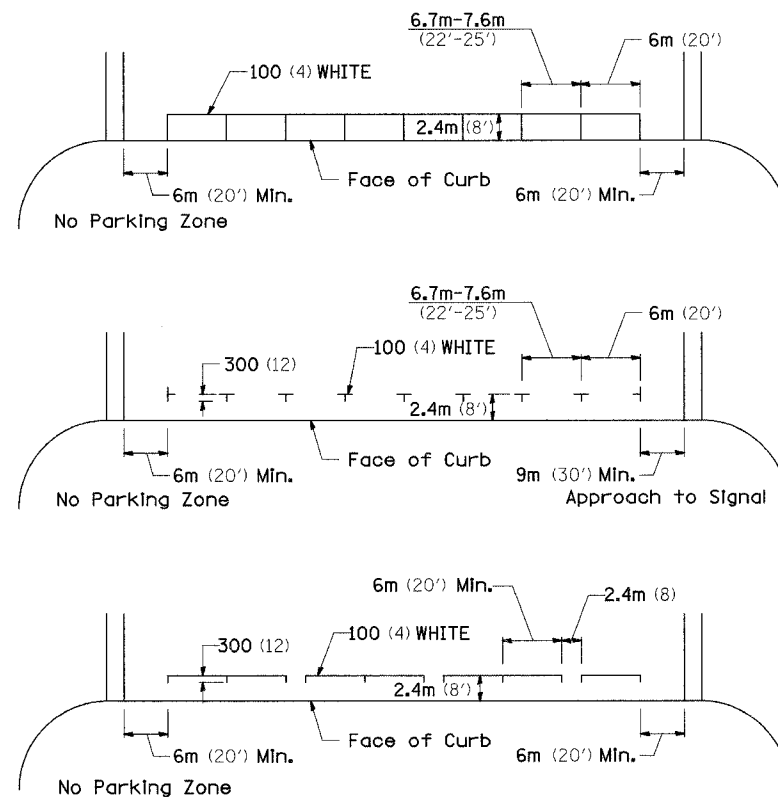


•• ALL DIMENSIONS ARE IN MILLIMETERS (INCHES) UNLESS OTHERWISE NOTED.

TYPICAL ISLAND OFFSET SHOULDER WIDTH

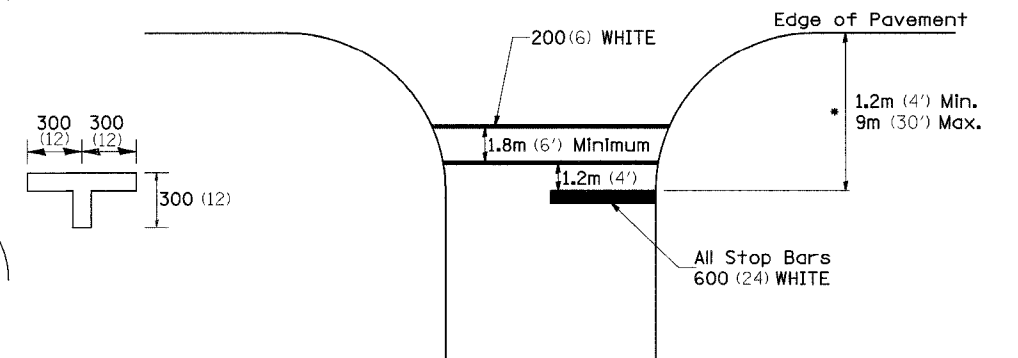


TYPICAL PARKING SPACING



STANDARD CROSSWALK MARKING

See Schedules for Locations



• Distance to the nearest edge of the intersecting roadway in the absence of a marked crosswalk.

PLT DATE = Tue Feb 28 15:28:15 2006
 FILE NAME = C:\2006\1177\64C72\1177.dgn
 PLOT SCALE = 50.0000 X / IN.
 REFERENCE = #REF#