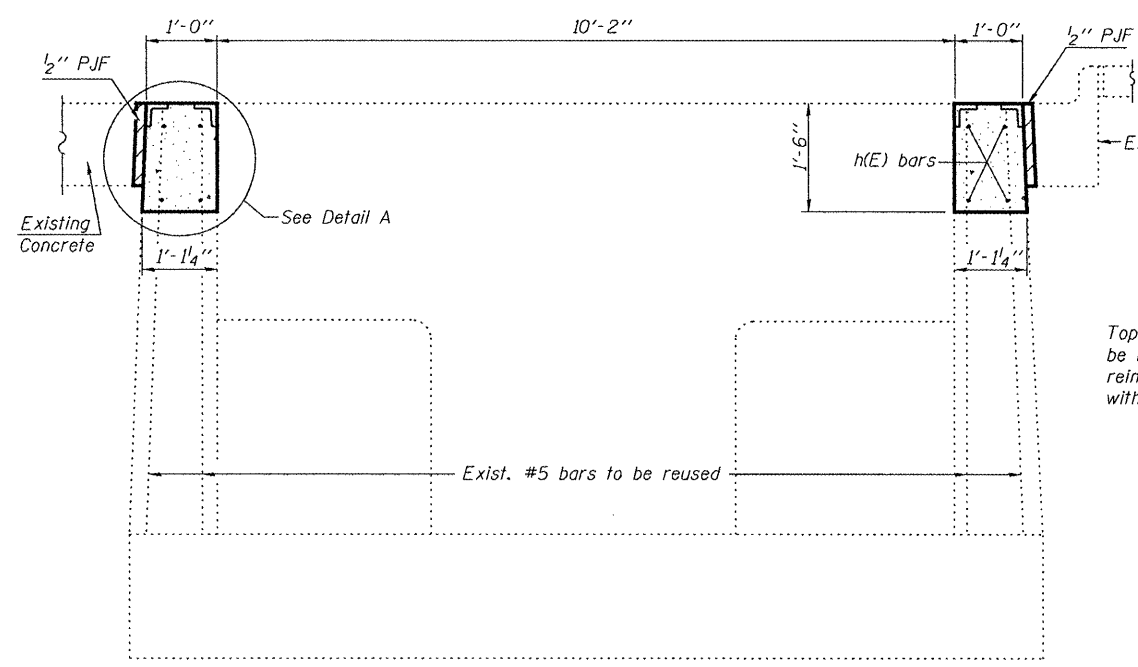


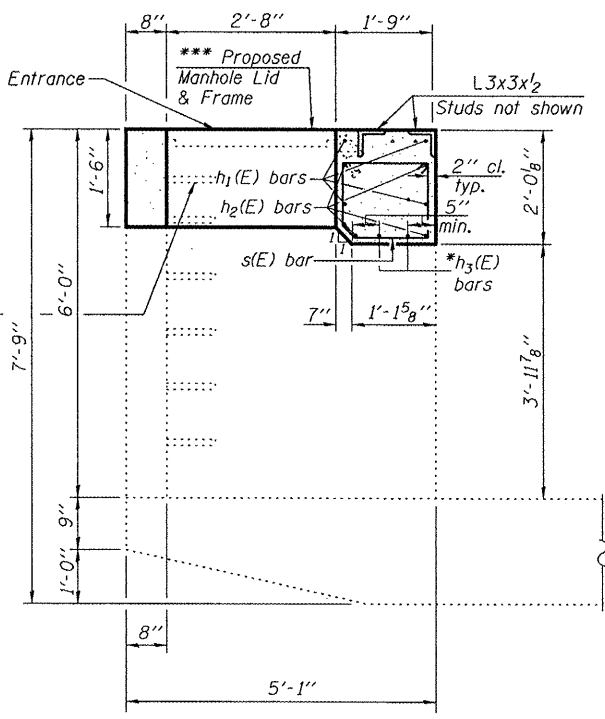
STATE OF ILLINOIS
DEPARTMENT OF TRANSPORTATION

ROUTE NO.	SECTION	COUNTY	SHEETS	SHEET	SHEET NO. 5
FAI 80	*	Rock Island	18	16	5 SHEETS
FED. ROAD DIST. NO. 7	ILLINOIS	FED. AID PROJECT			

Contract #64D93 *(81-IWS-2)M-1



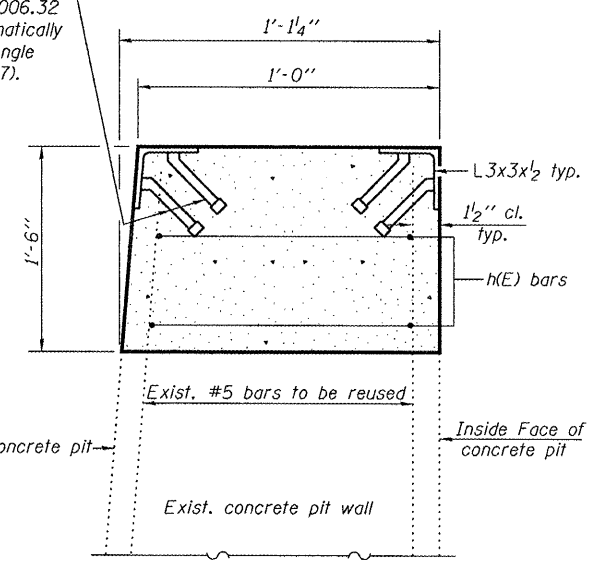
SECTION D-D
(Thru Sidewalls)



SECTION A-A

***For detail of proposed Manhole Lid and Frame, see sheet 1 of 5.

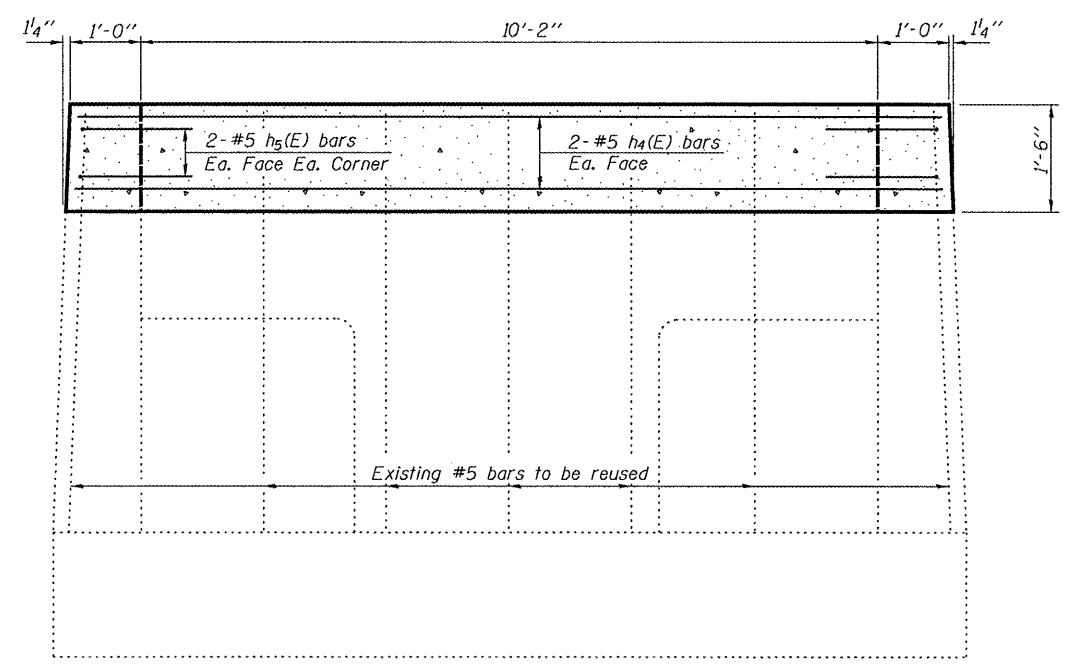
3/4" ϕ x 6" Granular or solid flux filled headed studs conforming to Article 1006.32 of the Standard Specifications, automatically end welded to angle. See Detail of Angle Coping for spacing. (No. Req'd. = 377).



DETAIL A

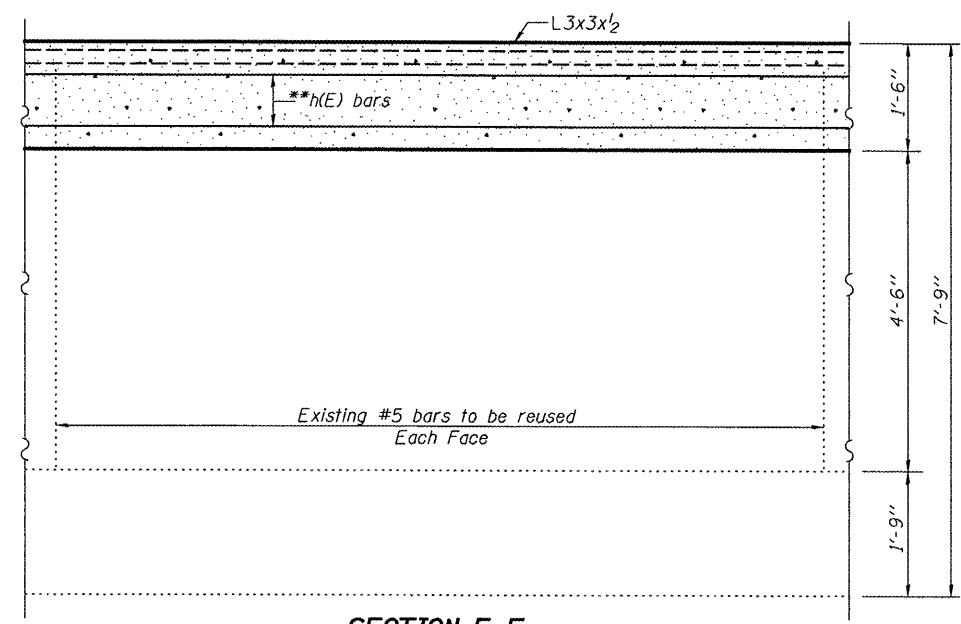
(Side walls shown, End walls similar.)

After welding, angles and studs shall be galvanized according to AASHTO M111. No field painting required. Coping angle and studs paid for as Furnishing and Erecting Structural Steel. (376'-4" length of Angle Coping required) minimum length of coping angles shall be 20' with butted joints.



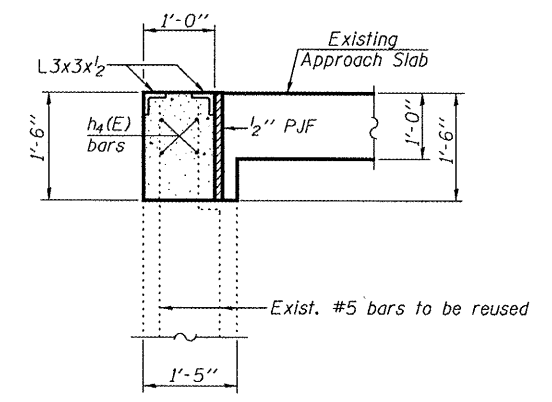
SECTION E-E

(Thru Endwalls)
(Existing concrete outside pit not shown)
(Coping angle L3x3x1/2 and approach slab not shown)



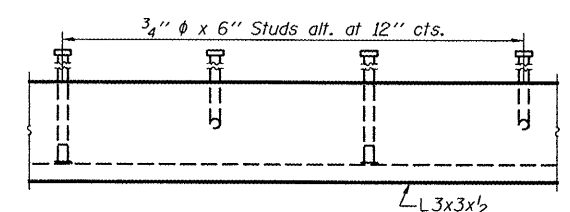
SECTION F-F

(Thru Sidewalls)



SECTION G-G

Showing Approach Slab, Concrete Pit and Coping angles. Concrete Deck, Scale Components, Structural Steel and studs not shown.



DETAIL OF COPING ANGLE

*Epoxy grout h3(E) bars in 9" min. drilled holes according to Section 584 of the Standard Specifications.
**Cut h(E) bar reinforcement in the wall at pit entrance.

DESIGNED	Patrick Petrone
CHECKED	Stephen M. Ryan
DRAWN	BECKY M. LEACH
CHECKED	PMP/SMR

May 7 2008
EXAMINED *Thomas Demagalis*
PASSED *Rafael A. Arduini*
ENGINEER OF BRIDGE DESIGN
ENGINEER OF BRIDGES AND STRUCTURES

CONCRETE PIT DETAILS
ROCK ISLAND WEIGH STATION
F.A.I. ROUTE 80 SEC. (81-IWS-2)M-1
ROCK ISLAND COUNTY
STATION 144+00.00